

OTIC[®]

32" Stereo Soundbar System



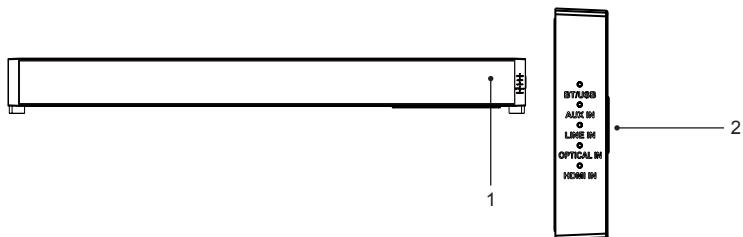
USER MANUAL

SB-7724

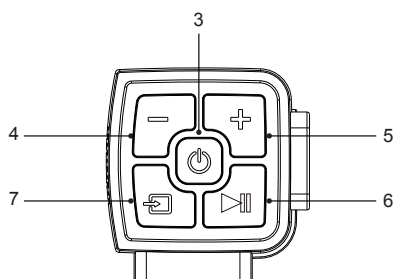
PRODUCT OVERVIEW

MAIN UNIT

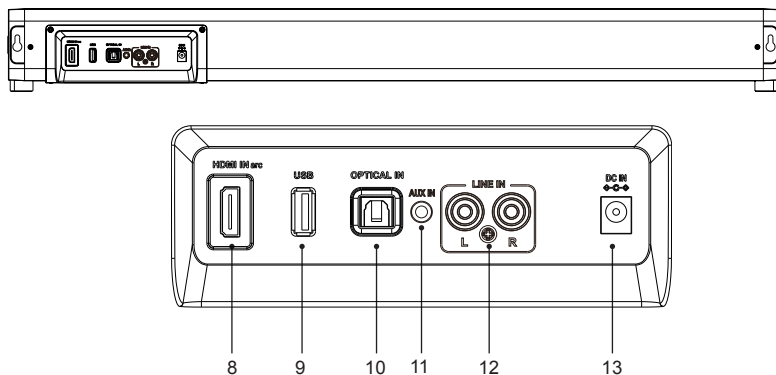
Front view





Side view

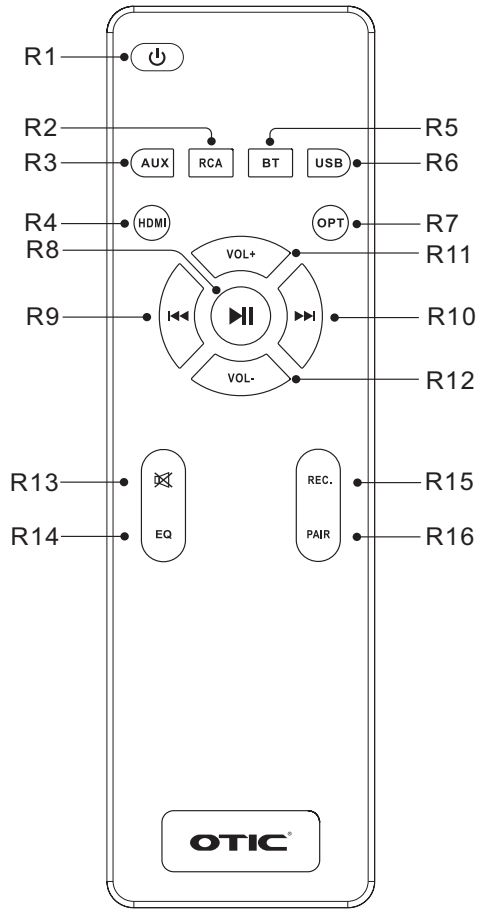


Back view



1. Remote Sensor
2. Mode Indicating Lamp Set
3.  (Power On/Off) Button
4. VOL- Button
5. VOL+ Button
6.  (Play/Pause) Button
7. MODE Button
8. HDMI ARC in Jack
9. USB Port
10. OPTICAL in Jack
11. AUX in Jack
12. RCA L/R Jacks
13. DC IN Jack

REMOTE CONTROL



R1. (Power On/Off) Button

R2. RCA Button

R3. AUX Button (for 3.5mm cable in)

R4. HDMI Button

R5. BT (Bluetooth) Button

R6. USB Button

R7. OPT (Optical in) Button

R8. (Play/Pause) Button

R9. (Previous) Button

R10. (Next) Button

R11. VOL+ Button

R12. VOL- Button

R13. (Mute) Button

R14. EQ (Equalizer) Button

R15. REC. (Recording) Button

R16. PAIR Button (for bluetooth pairing)

IMPORTANT SAFETY INSTRUCTIONS



CAUTION
RISK OF ELECTRIC SHOCK
DO NOT OPEN



CAUTION: TO REDUCE THE RISK OF ELECTRIC SHOCK, DO NOT REMOVE COVER (OR BACK). NO USER SERVICEABLE PARTS INSIDE. REFER SERVICING TO QUALIFIED SERVICE PERSONNEL.



DANGEROUS VOLTAGE: The lightning flash with arrowhead symbol within an equilateral triangle is intended to alert the user to the presence of uninsulated dangerous voltage within the product's enclosure that may be of sufficient magnitude to constitute a risk of electric shock to persons.



ATTENTION: The exclamation point within an equilateral triangle is intended to alert the user to the presence of important operating and maintenance (servicing) instructions in the literature accompanying the appliance.

WARNING: USE UNDER SUPERVISION OF AN ADULT DUE TO LONG CORD.

This unit has a long cord that can be easily tripped on or pulled on, causing injury. Please make sure it is arranged so that it will not drape over a tabletop, etc. Where it can be pulled on by children or tripped over accidentally.

Note:

The mains plug is used as the disconnect device. The socket-outlet shall be installed near the equipment and shall be easily accessible.

1. **Read Instructions:** All the safety and operating instructions should be read before the appliance is operated.
2. **Retain Instructions:** The safety and operating instructions should be well kept for future reference.
3. **Heed Warnings:** All warnings on the appliance and in the operating instructions should be adhered to.
4. **Follow Instructions:** All operating and use instructions should be followed.
5. **Power Sources:** The appliance should be connected to a power supply only of the type described in the operating instructions or as marked on the appliance.
6. **Power-Cord Protection:** Power supply cords should be routed so that they are not likely to be walked on or pinched by items placed upon or against them, paying particular attention to cords at plugs, convenience receptacles, and the point at which they exit from the appliance.
7. **Overloading:** Do not overload wall outlets and extension cords as this can result in a risk of fire or electric shock.

8. Grounding or Polarization: Precaution should be taken to insure that the grounding or polarization means of an appliance is not defeated.
9. Severe weather: In extreme weather such as lightning storm, hurricane, unplug it from the wall outlet and disconnect the antenna or cable system. This will prevent damage to the appliance due to unexpected power surges.
10. Water and Moisture: The appliance should not be used near water-for example, near a bathtub, washbowl, kitchen sink, laundry tub, swimming pool, or a wet basement.
11. Heat: The appliance should be situated away from heat sources such as radiators, heat registers, stoves, or other appliances (including amplifiers) that produce heat.
12. Object/Liquid Entry: Care should be taken so that no object/liquid enter into the enclosure through openings.
13. Ventilation: The appliance should not be situated so that its location (on a bed, sofa, rug, or similar surface) or position (such as a bookcase or cabinet) interferes with its proper ventilation.
14. Mounting: The appliance should be mounted only as recommended by the manufacturer.
15. Cleaning: Only use a soft dry cloth to clean the appliance.
16. Servicing: The user should not attempt to service the appliance beyond that described in the user's operating instructions. All other servicing should be referred to qualified personnel.
17. Replacement Parts: When replacement parts are required, be sure the service technician has used replacement parts specified by the manufacturer. Unauthorized substitutions may result in fire, electric shock or other hazards.
18. Damage Requiring Service: The appliance should be serviced by qualified service personnel when:
 - The power-supply cord or plug has been damaged.
 - Objects have fallen into, or liquid has been spilled into the appliance enclosure.
 - The appliance has been exposed to rain.
 - The appliance has been dropped, or the enclosure damaged.
 - The appliance does not appear to operate normally or exhibits a marked change in performance.
19. Carts and Stands: An appliance and cart combination should be moved with care. Quick stops, excessive force, and uneven surfaces cause the appliance and cart combination to overturn.
20. Non-use Periods: The power cord of the appliance should be unplugged from the outlet/The batteries should be removed when the appliance is to be left unused for a long period of time.



Portable Cart Warning

Battery precautions:

Replacement of a battery with an incorrect type that can defeat a safeguard; Disposal of a battery into fire or a hot oven, or mechanically crushing or cutting of a battery, that can result in an explosion;

Leaving a battery in an extremely high temperature surrounding environment that can result in an explosion or the leakage of flammable liquid or gas

A battery subjected to extremely low air pressure that may result in an explosion or the leakage of flammable liquid or gas.

1. Use only the size and type of battery specified.
2. Be sure to follow the correct polarity when installing the battery as indicated in the battery compartment, a reserved battery may cause damage to the device.
3. Do not mix different types of batteries together (e.g., Alkaline and Carbon-zinc) or old batteries with fresh ones.
4. If the batteries in the device are consumed or the device is not to be used for a long period of time, remove the batteries to prevent damage or injury from possible leakage.
5. Do not try to recharge the battery as it is not intended to be recharged; it can over-heat and rupture (Follow the battery manufacturer's instructions).
6. The batteries shall not be exposed to excessive heat such as sunshine or fire.
7. Clean the battery contacts and also those of the device prior to battery installation.

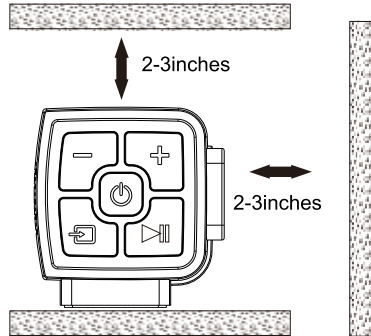


Before throwing any batteries away, consult your distributor who may be able to take them back for specific recycling.

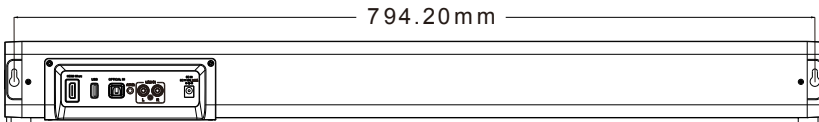
PLACEMENT AND MOUNTING

Placing the device on a table - Ventilation

When placing the soundbar and subwoofer on an entertainment center, bookshelf, or any type of enclosed space, be sure to allow at least 5-8 cm (2-3 inches) of space around them for ventilation. If they are enclosed in a tight space, without ventilation, heat generated from them could produce a potential heat hazard.

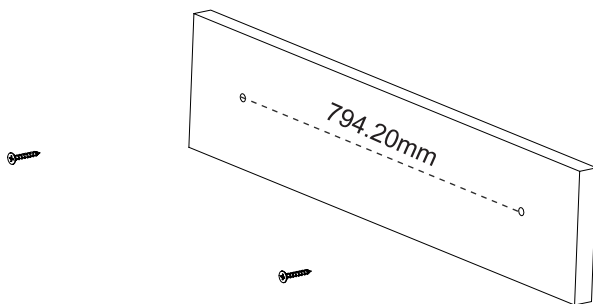


The Installation Distance



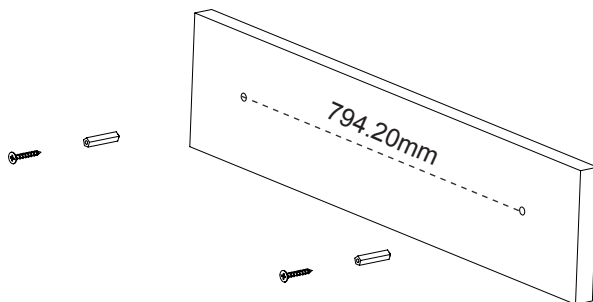
Mounting to a wooden wall

1. Mark the position of the mounting screws on the wall using a pencil.
2. Drill the screws directly into the marks that you have made on the wall and leave approx. 0.3 inches length to hook the soundbar.
3. Put the soundbar onto the mounting screws. Make sure they are firm and stable.



Mounting to a brick wall

1. Mark the position of the mounting screws on the wall using a pencil.
2. Drill 2 holes on wall with a powerful electric drill.
3. Insert the plastic insert and hammer it into the hole.
4. Secure the screws into the plastic insert and leave approx. 0.3 inches length to hook the soundbar.
5. Put the soundbar onto the mounting screws. Make sure they are firm and stable.



GENERAL OPERATIONS

1. Connect the AC/DC adapter to the unit and wall outlet.
2. Press the **⏻** button (3/R1) to power on the unit. The MODE indicating lamp (2) will light up.
3. Press the MODE button (7) repeatedly, or press the RCA (R2), AUX (R3), HDMI (R4), BT (R5), USB (R6) or OPT (R7) button switch to the desired mode directly. The corresponding lamp in MODE indicating lamp set (2) will light:

BT (Blue).....	Bluetooth Mode
AUX IN (Green).....	AUX IN Mode
LINE IN (Green).....	LINE IN Mode
OPTICAL (Green).....	OPTICAL Mode
USB (White).....	USB Mode
HDMI (Green).....	HDMI Mode

NOTE:

Only when a USB flash drive is inserted into the USB slot (8), can the MODE indicating lamp (2) answer the command from your pressing on USB button (R6) or MODE button (7) at the USB mode.

4. During playback:
 - Press the VOL+ button (5/R11) or VOL- button (4/R12) repeatedly to adjust volume.
 - Press the **⏸** button (R13) to mute; press it again to resume.
 - Press the **⏸** button (6/R8) to pause; press again to resume the playback.
 - Press the **⏮** button (R9) or **⏭** button (R10) to play the previous or next audio track.
 - Press the EQ button (R14) to set to desired EQ mode (MUSIC (default), TALK, MOVIE, STANDARD).
5. Press the **⏻** button (3/R1) again to power off the unit.

NOTE:

For energy saving, this product will be powered off automatically if no audio signal is input for 15 minutes.

BATTERY OPERATION (REMOTE CONTROL)

1. Remove the battery compartment door by applying thumb pressure to area indicated on battery door and then lift the door out and off the cabinet
2. Before inserting the batteries, observe the polarities (+ and -) of the battery, then relate the polarities to the engraved diagram inside the battery compartment, insert 2x1.5V, AAA/R03/UM-4 batteries into the compartment.
3. Replace the compartment door.

CAUTION:

Danger of explosion if battery is incorrectly replaced. Replace only with the same or equivalent type.

AUDIO SOURCE SWITCHING

BLUETOOTH OPERATION

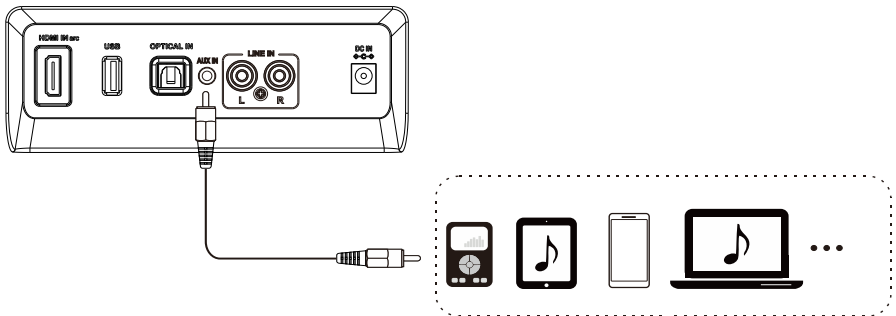
1. Power on the unit as previously explained.
2. Press the MODE button (7) repeatedly, or press the BT button (R5) directly on remote control to switch to the Bluetooth mode, the BT/USB lamp in MODE indicating lamp set (2) will start to blink in Blue.
3. Power on the external Bluetooth enabled device and enter Bluetooth mode to search the pairing name of the unit.
4. When **SB-7724** appears, select it to make the connection.
5. After successfully paired, the BT/USB lamp will turn solid Blue.
6. Press the PAIR button (R16) to disconnect current connection and enter the searching condition again. You can pair to new devices with this soundbar.

NOTE:

The unit will be automatically connected with the last connected Bluetooth device if their Bluetooth function are both activated and they are in working range.

AUX IN OPERATION

Through the unit you can listen the sound from a connected external audio player (such as MP3 player, tablet, cell phone, laptop).

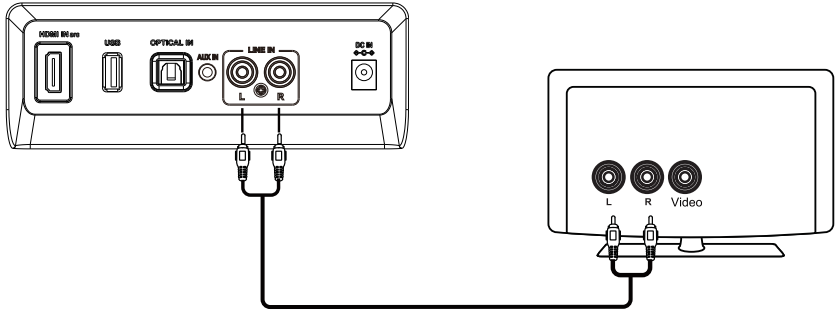


1. Plug one end of the 3.5 mm Stereo Headphone Cable into the AUX in jack (11).
2. Plug the other end of the 3.5 mm Stereo Headphone Cable into the headphone jack or Aux Out jack on the external audio player.
3. Power on the unit as previously explained.
4. Press the MODE button (7) repeatedly, or press the AUX button (R3) on remote control directly to switch to the AUX IN mode, the AUX IN lamp in MODE indicating lamp set (2) will turn to Green.
5. Power on the connected external player and start playback as usual.

RCA IN OPERATION

Through the unit you can listen the sound from a connected external audio/video device (such as TV, CD/DVD player).

1. Plug one end of the RCA Cable into the RCA in jack (12).
2. Plug the other end of the RCA Cable into the RCA Out jack (L&R) on the external device.



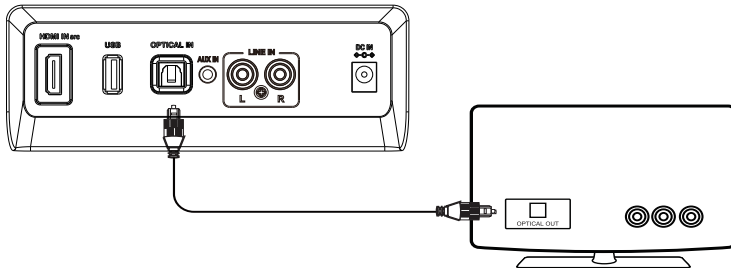
3. Power on the unit as previously explained.
4. Press the MODE button (7) repeatedly, or press the RCA button (R2) directly to switch to the RCA IN mode, the LINE IN lamp in MODE indicating lamp (2) set will turn to Green.
5. Power on the connected external device and start playback as usual.

NOTE:

Special attention should be paid to matching the color (red to red, white to white) when inserting the plugs of the RCA cable into the corresponding jacks on the unit and external A/V device.

OPTICAL IN OPERATION (for PCM format only)

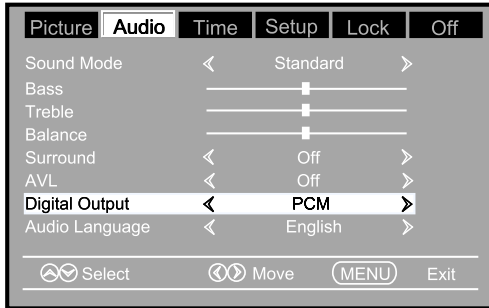
1. Plug one end of an Optical Cable (user supply) into the OPTICAL in jack (9).
2. Plug the other end of the Optical Cable into the Optical Out jack on the external device (such as TV, DVD player).
3. Power on the unit as previously explained.



4. Press the MODE button (7) repeatedly, or press the OPT button (R7) on the remote control directly to switch to the OPTICAL IN mode, the OPTICAL lamp in MODE

indicating lamp set (2) will turn to Green.

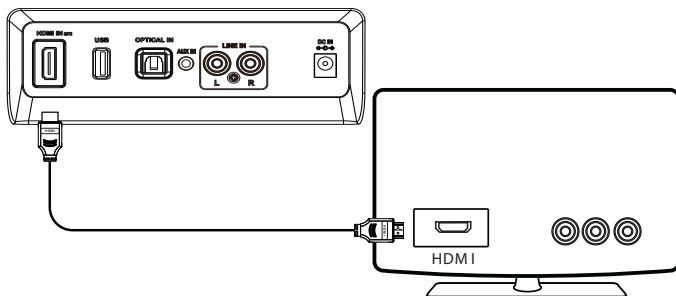
5. Power on the connected external player and start playback as usual. OPEN its "SETUP" window and set Digital Audio Output to PCM (Pulse Code Modulation) type similar to the below figure:



HDMI IN OPERATION

The TV with HDMI ARC port can be connected to this unit, and you can listen to the sound from it though the unit's speakers.

1. Plug one end of an HDMI Cable (user supply) into the HDMI ARC in jack (8).
2. Plug the other end of the HDMI Cable into the HDMI ARC jack on TV.
3. Power on the unit as previously explained.
4. Press the MODE button (7) repeatedly, or press the HDMI button (R4) on remote control directly to switch to the HDMI IN mode, the HDMI IN lamp in MODE indicating lamp set (2) will turn to Green.
5. Power on the connected TV and start playback as usual.

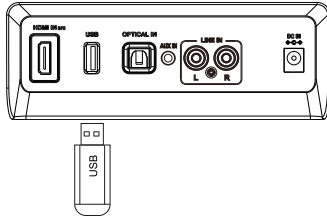


NOTE:

This audio input mode only works for TV with HDMI ARC feature and it needs turn on this feature from your TV.

USB OPERATION

1. Insert a USB device to the USB port (9).



2. Power on the unit as previously explained.
3. Press the MODE button (7) repeatedly, or press the USB button (R6) on remote control directly to switch to the USB mode. The BT/USB lamp in MODE indicating lamp set (2) will turn to White.

Then the audio tracks stored in the inserted USB device will be played automatically.

NOTE:

- When a USB flash drive is inserted, the unit will automatically switch to USB mode from the other audio input mode.
- The USB port (9) cannot be used for charging.


RECORDING OPERATION

1. Power on the unit as previously explained. Insert a U flash drive to the USB port (9).
2. Switch the audio input mode to Bluetooth, AUX IN or RCA IN mode as explained above, and start playback on the connected device.
3. Press the REC. button (R15) or press and hold the MODE button (7) to start recording. One beep tone will be heard when the recording begins.
4. Press the REC. button (R15) or press and hold the MODE button (7) to stop recording. Two beep tone will be heard when the recording ends.

NOTE:

- The recording function only works in Bluetooth, AUX and RCA in mode.
- The recorded tracks will be stored in USB device automatically and will be played in priority in USB mode.
- 5. If you press USB button (R6) during the recording process, the unit will turn to USB mode and the recorded audio track will be played automatically.

TROUBLESHOOTING

SYMPTOM	POSSIBLE CAUSE	POSSIBLE SOLUTION
No power	The adapter is not connected	Connect the adapter to the unit and wall outlet.
	The unit is in power off mode	Press the  button (3/R1) to power on the unit.
No sound or sound weak	Volume level in minimum position	Raise the volume level by pressing the VOL+ button (5/R11).
	The connected device is not in playback.	Play a track in the connected device and make sure its volume is in high level.
	Input source incorrect	Press the MODE button (7) on the unit repeatedly or use the corresponding button on remote control to switch to the correct mode.
Sound distortion/ rattle	Volume level too high	Reduce the volume level by pressing the VOL- button (4/R12).
		Reduce the volume level of the connected device.
Remote Control not functioning	Out of range	Point the remote control to the remote sensor on the unit within 7 m, +/-30 degrees
	The battery in the remote is weak	Replace with new battery.
Bluetooth reception failure	The external device is too far from the unit	Put the external BT device close to the unit.
	Not paired	Pair the unit with the BT Device as stated in this manual.
HDMI IN (ARC) not working	The HDMI port is not connected	Be sure the TV supports HDMI ARC function and insert an HDMI cable to its HDMI ARC port.
	The ARC control is off	Please go to the TV setup menu and turn on the ARC function.

SPECIFICATIONS

Power Input: AC 110-240V, 50/60 Hz

Power Output: DC16V  2.25A, 

Audio Output: Mid-range speaker × 2 (12.5 W)
Woofer × 1 (25 W)

Bluetooth: V5.0

Remote Working range: 7 m (on the line of sight), horizontal: +/- 30 degrees,
vertical: +/- 15 degrees.

ACCESSORIES

Remote Control x 1

Power Adapter x 1

RCA Connection Cable x 1

3.5 mm Stereo Headphone Cable x 1

User Guide x 1

Metallic screw x 2 (for mounting)

Plastic insert x 2 (for mounting)

Specifications and Accessories Subject to Change
Without Notice



The appliance is in compliance with the essential requirements and other relevant provisions of the following EC directives: 2014/35/EU Low voltage directive, 2014/53/EU Radio Equipment Directive and 2014/30/EU EMC directive.



RECYCLING

This product bears the selective sorting symbol for Waste electrical and electronic equipment (WEEE). This means that this product must be handled pursuant to European directive 2012/19/EU in order to be recycled or dismantled to minimize its impact on the environment. User has the choice to give his product to a competent recycling organization or to the retailer when he buys a new electrical or electronic equipment.



The symbol indicates class II equipment



The symbol indicates DC voltage



The symbol indicates AC voltage



For indoor use only



Caution

Please refer for further information to the user manual. Use only power supplies listed in the user instructions.



The symbol indicates energy efficiency marking



The symbol indicates polarity of d.c. power connector

The Bluetooth® word mark and logos are registered trademarks owned by Bluetooth SIG, Inc. and any use of such marks by New One S.A.S is under license. Other trademarks and trade names are those of their respective owners.

FCC Statement

Changes or modifications not expressly approved by the party responsible for compliance could void the user's authority to operate the equipment.

This equipment has been tested and found to comply with the limits for a Class B digital device, pursuant to Part 15 of the FCC Rules. These limits are designed to provide reasonable protection against harmful interference in a residential installation. This equipment generates uses and can radiate radio frequency energy and, if not installed and used in accordance with the instructions, may cause harmful interference to radio communications. However, there is no guarantee that interference will not occur in a particular installation. If this equipment does cause harmful interference to radio or television reception, which can be determined by turning the equipment off and on, the user is encouraged to try to correct the interference by one or more of the following measures:

- Reorient or relocate the receiving antenna.
- Increase the separation between the equipment and receiver.
- Connect the equipment into an outlet on a circuit different from that to which the receiver is connected.
- Consult the dealer or an experienced radio/TV technician for help

This device complies with part 15 of the FCC rules. Operation is subject to the following two conditions (1) this device may not cause harmful interference, and (2) this device must accept any interference received, including interference that may cause undesired operation.

This equipment complies with FCC radiation exposure limits set forth for an uncontrolled environment. This equipment should be installed and operated with minimum distance 20cm between the radiator & your body

Warranty

Thank you for purchasing this product. You have received a 1-year warranty provided by OTIC since the day of purchase.

The warranty does not cover normal aging changes, use not following the printed instructions, or any damage caused by moisture, drop, power surge, or such factors.

For faster service, locate the model and type on your appliance. Purchase receipt is also required to obtain the maintenance service.

If you have any enquiries, please contact us by email or visit our website.

OTIC[®]

Get 24/7 Assistance at



Use camera or QR scanner to scan

Or Visit: <https://otic.afterservice.vip>

Vendor: Shenzhen Junlan Electronic Ltd.

Add: No.277 PingKui Road, Pingshan District, Shenzhen, CHINA

After Service: <https://otic.afterservice.vip>

Email: otic@afterservice.vip