

说明书

尺寸: 210\*148mm

材质: 80g书纸

颜色: 黑白印刷

用量: 1pc

品号3020319001

 **Emerson™**

42" 2.1 CH  
BLUETOOTH® SOUNDBAR

EHS-2004



## **USER MANUAL**

PLEASE READ CAREFULLY BEFORE USE AND KEEP FOR FUTURE REFERENCE.

# SAFETY INSTRUCTIONS

1. Read these instructions – All the safety and operating instructions should be read before this product is operated.
2. Keep these instructions. The safety and operating instructions should be retained for future reference.
3. Heed all warnings. All warnings on the appliance and in the operating instructions should be adhered to.
4. Do not use this apparatus near water. The device should not be used near water or moisture – for example, in a wet basement or near a swimming pool, and the like.
5. Clean only with a dry cloth.
6. Do not block any ventilation openings.
7. Do not operate or place near any heat sources such as radiators, heat registers, stoves, or other apparatus (including amplifiers) that produce heat.
8. Protect the power cord from being walked on or pinched particularly at the plugs, power outlets, and at the point where they exit from the apparatus.
9. Only use attachments/accessories specified by the manufacturer.
10. Unplug the apparatus during lightning storms or when unused for long periods of time.
11. Refer all servicing to qualified personnel. Servicing is required when the apparatus has been damaged in any way, such as a damaged power supply cord or plug.
12. **WARNING:** To reduce the risk of fire or electric shock, do not expose this device to any moisture, including rain or high humidity. Do not place any vases, or any liquid containers on the speaker.
13. Only use the device in moderate climates.
14. The ventilation should not be impeded by covering the ventilation openings with items, such as newspapers, tablecloths, curtains, etc.
15. Do not place open flame sources, such as lighted candles, on the apparatus.
16. **CAUTION:** These servicing instructions are for use by qualified service personnel only.
17. To reduce the risk of electric shock do not perform any servicing other than that contained in the operating instructions unless you are qualified to do so.


# PACKAGE CONTENTS

Soundbar .....	1 Piece	Wall Mount Kit .....	1 Piece
RCA Audio Cable .....	1 Piece	Remote Control .....	1 Piece
Auxiliary Cable .....	1 Piece	User Manual .....	1 Piece
AC Power Adapter .....	1 Piece	Warranty Card.....	1 Piece

# DEVICE SPECIFICATIONS

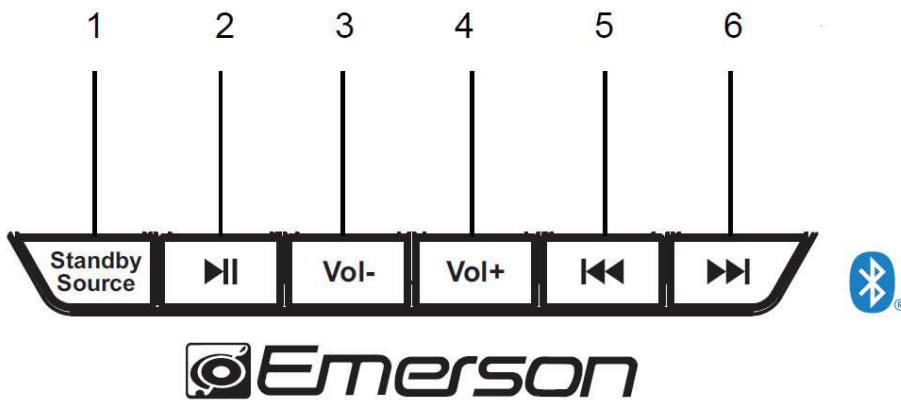
Power Input	AC 110~240V, 50/60Hz
Power Output	DC 16V, 1.8A
Audio Output of the Soundbar	25W x 2 Total 50W RMS
Bluetooth Effective Working Range	Up to 32 Feet
Remote Control Effective Working Range	Up to 16 Feet

NOTE: SPECIFICATIONS AND ACCESSORIES ARE SUBJECT TO CHANGE WITHOUT NOTICE

 **Bluetooth**<sup>®</sup> is a trademark on a registered trademark of Bluetooth SIG Inc. All other trademarks and trade names are those of their respective owners.

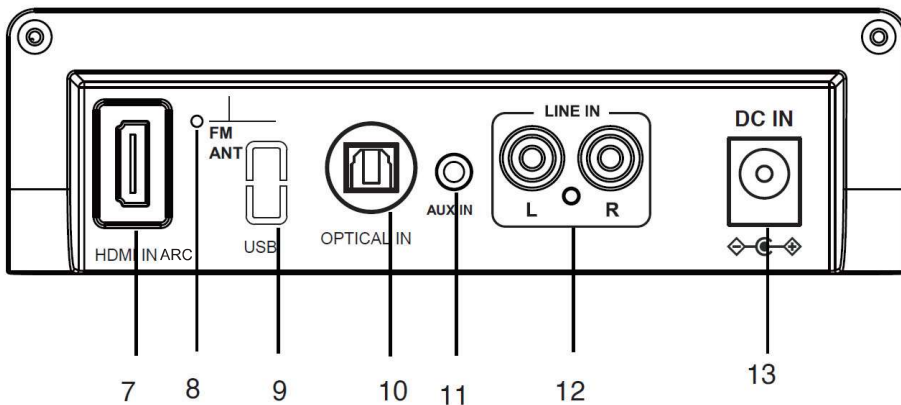
# SOUNDBAR CONTROL FEATURES

## Top View

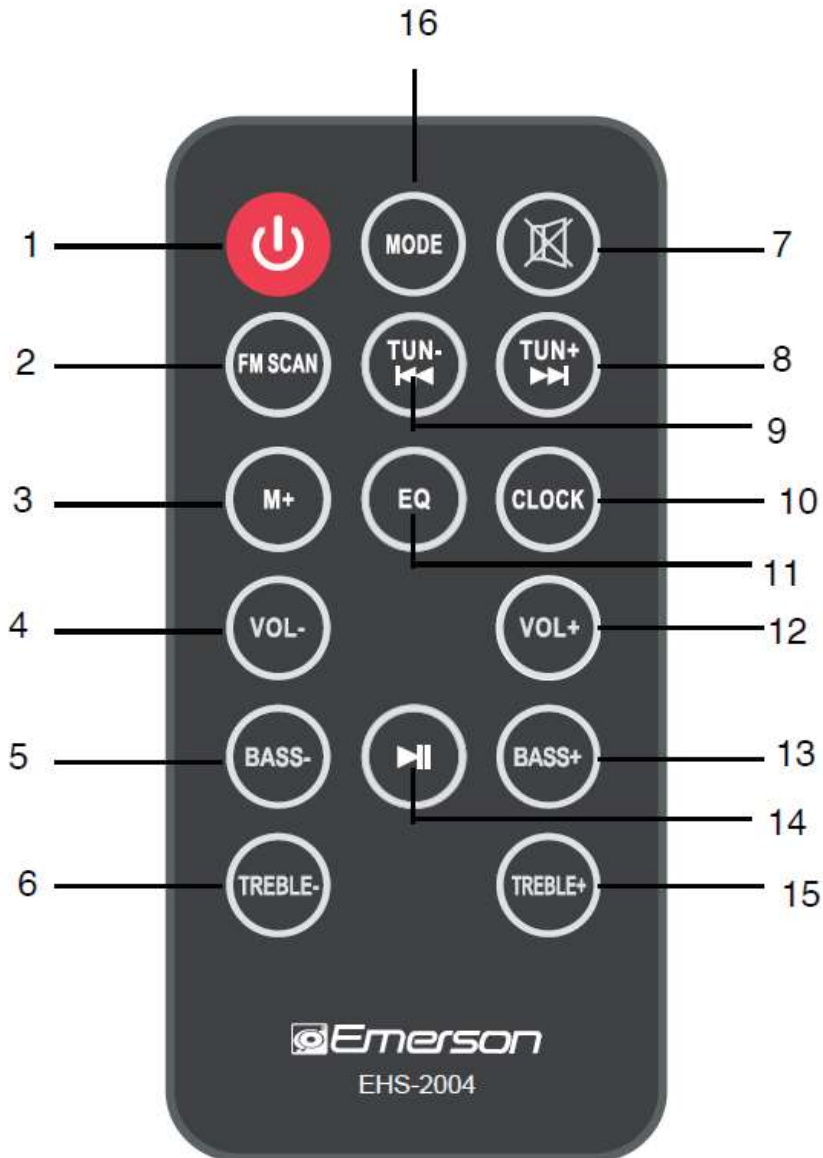


1. Standby/Source Button
2. Play/Pause Button
3. Vol- Button
4. Vol+ Button
5. Previous Button
6. Next Button
7. HDMI In ARC Port
8. FM Antenna
9. USB Port
10. Optical In Port
11. Aux In Port
12. Line In Ports
13. DC In Port

## Rear View



# REMOTE CONTROL FEATURES



1. *POWER BUTTON*

2. *FM SCAN*

3. *M+*

4. *VOL -*

5. *BASS -*

6. *TREBLE -*

7. *MUTE*

8. *TUN + /NEXT TRACK*

9. *TUN - /PREVIOUS TRACK*

10. *CLOCK*

11. *EQ*

12. *VOL +*

13. *BASS +*

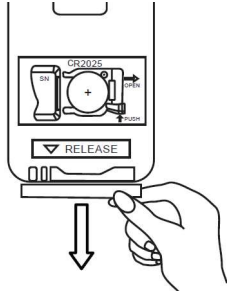
14. *PLAY/PAUSE*

15. *TREBLE +*

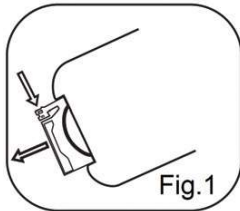
16. *MODE*

# INSTALLING THE REMOTE CONTROL BATTERY

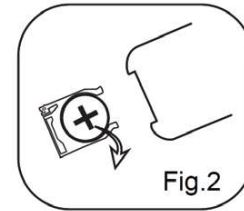
1. When installing for the first time, remove the battery insulation film.



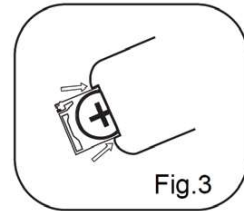
2. Push in the holder release and then pull out the battery holder. See Fig. 1.



3. Place a new CR2025 battery in the battery holder per the +/- markings displayed on the back of the remote. See Fig. 2.



4. Push the battery holder into the remote. See Fig. 3.



## Notes and Warnings

**WARNING:** Choking/Poisoning Hazard. Keep batteries away from children.

Swallowed batteries can cause severe injury or death.

Seek immediate medical attention if a battery is swallowed, or placed in a nose or ear.

### 911

National Battery Ingestion Hotline:  
**1-800-498-8666**

1. Use only the specified type of battery.
2. Follow the correct polarity when installing the battery as indicated in the battery compartment.
3. Do not mix different types of batteries together (e.g. Alkaline and Carbon-zinc) or old batteries with new ones.
4. To prevent damage or injury from possible leakage, remove batteries if they have been drained or if the device will be unused for extended periods.
5. Do not try to recharge a battery that is intended to be recharged; it can overheat and rupture. (Follow the battery manufacturer's instructions).
6. Do not expose batteries to excessive heat, such as direct sunlight or open flames.
7. Clean the battery and device contacts prior to battery installation.
8. If the battery compartment does not close securely, stop using the product and keep it away from children.

# USING THE REMOTE CONTROL

## Notes

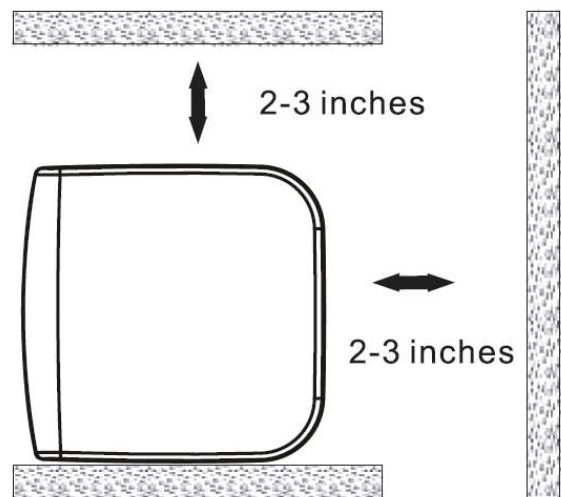
1. Obstacles between the remote control and the speaker will prevent the remote from controlling the speaker.
2. The remote control operation is unstable in strong light conditions, such as from direct sunlight, incandescent lamps, or fluorescent lamps.
3. Aim the remote control at the remote sensor of the soundbar with an angle of 30° to the sides and a distance of 5 meters maximum.

# PLACEMENT & MOUNTING

## CLEARANCE REQUIREMENTS

- A minimum of 2 inches of ventilation clearance is required when placing the Soundbar on an entertainment center, bookshelf, or any type of enclosed space.

**CAUTION:** Inadequate ventilation clearance can cause hazardous heat.



## Wall-Mounting the Sound Bar

**IMPORTANT:** Wall-mounting should only be performed by a skilled professional.

**CAUTION:** Improper mounting can result in damage or personal injury.

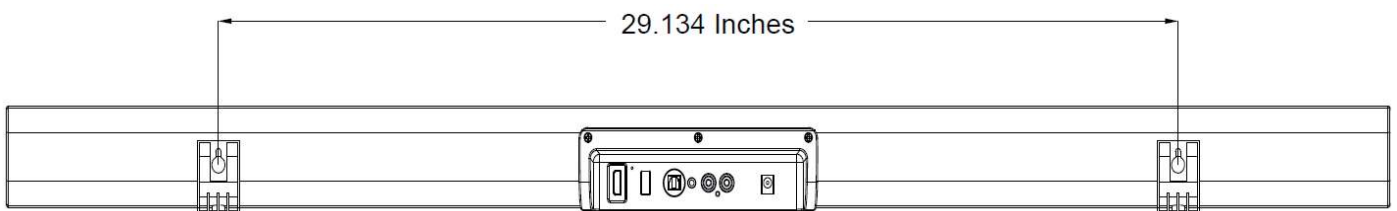
## Mounting Parts

1. Mounting Brackets
2. Screws
3. Screw Anchors

## Recommended Tools

1. Electric Drill
2. Drill Bits
3. Measuring Tape

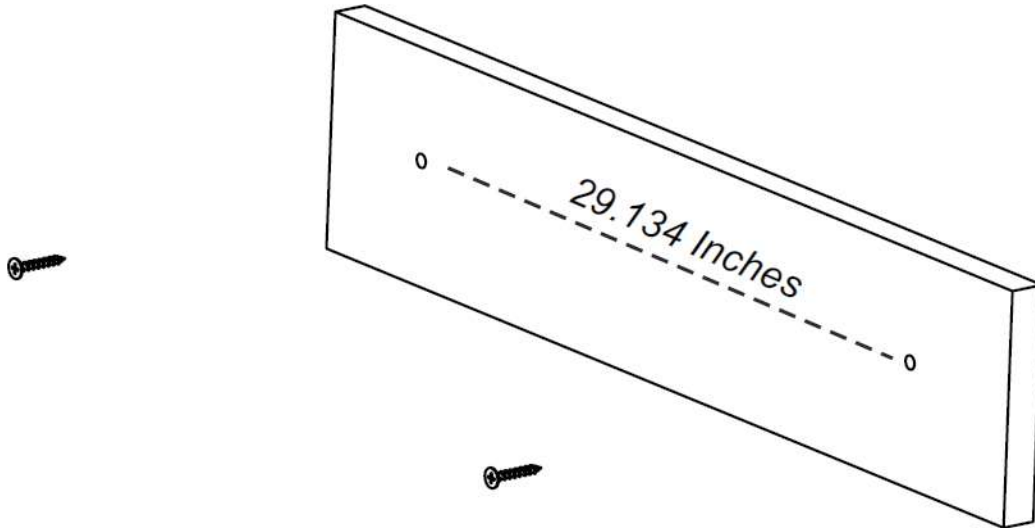
## Bracket Dimensions





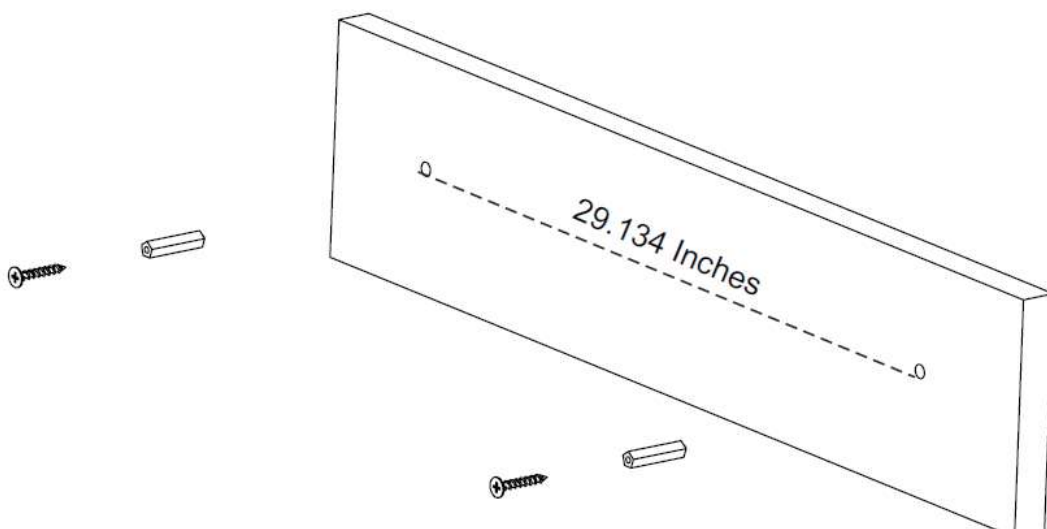
## Mounting to a Wooden Wall

1. Mark the position of the mounting screws on the wall using a pencil.
2. Use an electric drill with an appropriate drill bit to drill the pilot holes.
3. Secure the screws into the pilot holes, making sure that the screws extend outward approximately 0.3 inches to support the sound bar.
4. Place the sound bar onto the mounting screws. Make sure they are firm and stable.






## Mounting to a Brick Wall

1. Mark the position of the mounting screws on the wall using a pencil.
2. Use an electric drill with an appropriate drill bit to drill the pilot holes.
3. Use a hammer to insert the screw anchors into the pilot holes.
4. Secure the screws into the screw anchors, making sure that the screws extend outward approximately 0.3 inches to support the sound bar.
5. Put the sound bar onto the mounting screws. Make sure they are firm and stable.



# OPERATING MODES

## General Operation

1. Connect the AC/DC adapter to the unit and wall outlet.
2. Short press Standby/Source button on the soundbar to turn on the unit.  
Long press Standby/Source button to turn off the unit.
3. Press the Standby/Source button on the unit or press the Mode button on the Remote Control repeatedly to switch to the desired mode.
4. Operating the Device:
  - To play a track, press   
Press again to pause the track.
  - To select the next track, press 
  - To select the previous track, press 
  - Press the VOL- / VOL+ buttons on the unit or Remote Control to adjust the volume level as desired.
  - Press the mute button on the Remote Control to mute the sound on the soundbar. Press again to resume.
  - When finished listening, press the Standby Source button to enter standby mode. If the unit is not used for long periods, please disconnect the power.




## Setting the Clock

Time is shown on the display screen when the device is in standby mode.

*To Set the Time:*

1. On the remote control, press and hold the Clock button. *The hour digits will blink.*
2. Press the TUN- or TUN+ buttons on the remote control to adjust the hour while it is blinking. Press the Clock button on the remote control to save the hour. *The minute digits will blink.*
3. Press the TUN- or TUN+ button on remote control to adjust the minutes while it is blinking. Press the Clock button on the remote control to save the minutes. *The time is now set.*

## Connect a Bluetooth Device

1. Power ON the unit.
2. Press the Standby/Source button on the unit, or press the MODE button on the Remote Control repeatedly to switch to Bluetooth mode.
3. Power on the external Bluetooth enabled device and enter Bluetooth mode to search the pairing name of the unit.
4. When EMERSON EHS-2004 appears, select it to make the connection.
5. Operating the Device:
  - To play a track, press . Press again to pause the track.
  - To select the next track, press .
  - To select the previous track, press .

Note: After a first time connection, the unit will automatically connect with the last connected device if it's Bluetooth function is activated and in working range.

## NFC One-Touch Setup

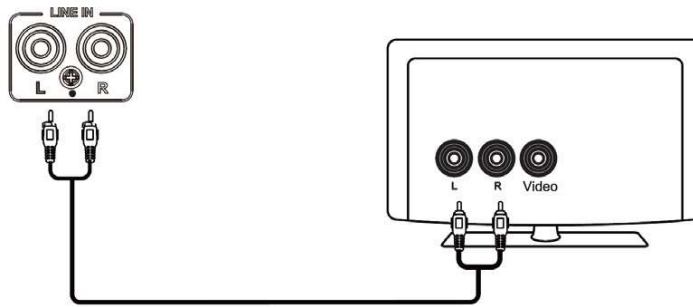
If you have a device that is equipped with NFC and Bluetooth, you can pair the device to the sound bar with a single tap. It's just that easy!

1. Place the sound bar in Bluetooth mode (press the MODE button until "BT" appears on screen).
2. Locate the NFC sensor on the "NFC" label located on the sound bar. Touch the back of your device to the sound bar sensor. The sound bar will automatically detect your device.
3. Your device may ask you for permission to pair with the sound bar. Select "yes" and pairing is complete!

Before attempting to use NFC to set up your Bluetooth Connection, make sure that Bluetooth and NFC are enabled on your device. For devices running Android™ OS, you can find the NFC option in the "Settings > Wireless & Networks > More..." menu screen.

## RCA In (Line In) Operation

Through the unit you can listen the sound from a connected external audio/video device (such as TV, CD/DVD player).



1. Plug one end of the RCA Cable into the RCA in jack.
2. Plug the other end of the RCA Cable into the RCA Out jack (L&R) on the external device.
3. Power on the unit as previously explained.
4. Press Standby/Source button on the unit or press the Mode button on Remote Control repeatedly to switch to the RCA IN mode.
5. Power on the connected external device and start playback as usual.

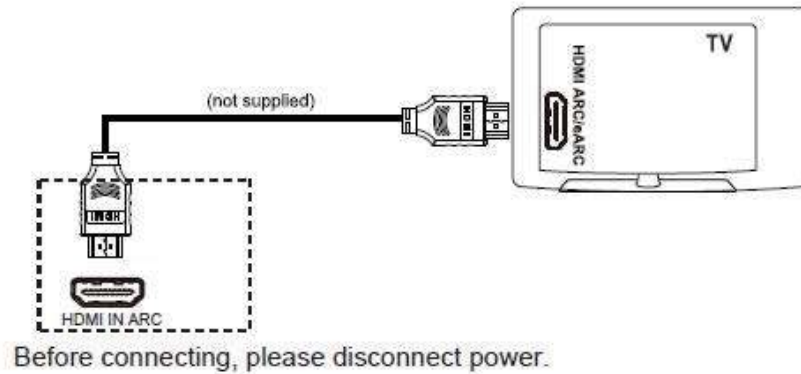
Note: Special attention should be paid to matching the color (red to red, white to white) when inserting the plugs of the RCA cable into the corresponding jacks on the unit and external A/V device.

## Listening to an Auxiliary Source



1. Connect your auxiliary source (e.g. iPod/iPad/MP3 player) to the 3.5 mm AUX IN jack.
2. Press the Standby/Source button on the unit or press the Mode button on the Remote Control repeatedly to switch to Auxiliary mode.
3. Start playback from your auxiliary source.
4. Adjust the volume to the desired level.
5. To stop playback, disconnect your auxiliary source from the INPUT jacks.

## HDMI IN ARC Operation



The TV with HDMI IN ARC port can be connected to this unit, and you can listen to the sound from it through the unit's speakers.

1. Before connecting, make sure the devices are turned off.
2. Plug one end of an HDMI Cable (user supply) into the HDMI IN ARC jack.
3. Plug the other end of the HDMI Cable into the HDMI IN ARC jack on TV.
4. Power on the unit as previously explained.
5. Press Standby/Source button on the unit or press the Mode button on Remote Control repeatedly to switch to the HDMI IN mode.
6. Power on the connected TV and start playback as usual.

Notes:

- The TV must have ARC capability and be connected to HDMI IN ARC jack on the capable TV.
- If there is no audio output (only picture) or noise when your TV is connected to the unit, please check TV audio setting, and set the Digital Audio Output to "PCM" format.

## Optical-In Operation




Listen to music from the Optical Out port of an equipped video player or television.

1. Before connecting, disconnect power.
2. Connect one end of the optical connection cable (not supplied) to the OPTICAL IN jack on the back of the unit.
3. Connect the other end to the OPTICAL OUT port on the TV Back panel.
4. Power on the unit.
5. Press the Standby/Source button on the unit or press the mode button on the Remote Control repeatedly to switch to the OPTICAL-IN mode.
6. Power on the connected TV and start playback as usual.

Note: If there is no audio output (only picture) or noise when your TV or DVD player is connected to the unit, please check DVD player or TV audio setting and set the Digital Audio Output to "PCM" format.

## USB Playback

You can connect a USB flash drive to the USB port on the unit to play MP3 files.

1. Power ON the unit.
2. Plug a USB device into the USB port at the rear panel of the soundbar, the unit will read USB driver and play music automatically .
3. Play the music and set the desired volume.
4. Operating the Device:
  - To play a track, press . Press again to pause the track.
  - To select the next track, press .
  - To select the previous track, press .

### Notes:

- The unit will automatically switch to USB mode and start playback when the USB flash drive is connected.
- The total number of MP3 files on the Memory Device should not exceed 9999.
- There are many USB devices in the market. We cannot guarantee to support all different models. Please try another USB device if your device is not supported.

## **FM Operation**


1. Power ON the unit.
2. Press Standby/Source button on the unit repeatedly or press Mode button on Remote Control to switch to FM mode.
3. Press the FM Scan button on the remote control to search available FM stations.
4. Press and hold TUN+ on the remote control to auto-tune to a higher station.
5. Press and hold TUN- on the remote control to auto-tune to a lower station.
6. Press TUN+ on the remote control to turn to a higher frequency.
7. Press TUN- on the remote control to turn to a lower frequency.

## **Automatic Station Scan**

1. Use the station scan feature to find stations within the broadcast reception range and save them to preset memory. The unit can store 20 stations.
2. In FM Mode, press and hold the Play/Pause button on the unit, the sound bar will search for and store stations automatically.
3. Press the Play/Pause button on the unit to listen to the stored preset station.
4. Press the M+ button on the remote control to go to the next FM radio preset station.

Note: To enhance radio reception ability, fully unwind the antenna wire. Extend the antenna wire and place it in the position that sounds best.

# TROUBLESHOOTING

SYMPTOM	POSSIBLE CAUSE	POSSIBLE SOLUTION
No power	Power AC/DC Adapter not connected	Connect the power AC/DC adapter to the unit or wall outlet.
	The unit is in standby mode	Press the Standby/Source button on the unit or press  button on remote control to turn on the unit from Standby mode.
No sound	Volume in minimum position	Raise volume by pressing the Vol+ button.
	The paired/connected device is not in playing mode	Play music/movie in the paired/connected device as usual and make sure the volume level of it is in high level.
	Input source incorrect	Press the Standby/Source button on the unit or Mode button on the Remote Control repeatedly to set the input source to the desired mode.
Sound distortion	Volume level too high	<ul style="list-style-type: none"> <li>• Reduce the volume level by pressing the Vol- button.</li> <li>• Reduce the volume level of the paired/connected device.</li> </ul>
Remote control not working	The battery is weak	Replace with new battery
Bluetooth reception failure	The external device is too far from the unit	Put the external BT device close to the unit.
	Have not paired	Pair the unit with the BT Device as the procedures stated in this manual.





**BARRA DE SONIDO BLUETOOTH®**

**2.1 CANALES**

**106.68 cm (42")**

**EHS-2004**



## **Manual de Operación**

**FAVOR DE LEER EL MANUAL COMPLETAMENTE ANTES DE OPERAR ESTE PRODUCTO.  
CONSERVAR EL MANUAL PARA FUTURAS REFERENCIAS**

## INSTRUCCIONES DE SEGURIDAD

Antes de usar el reproductor, asegurarse de leer todas las instrucciones de operación cuidadosamente. Favor de observar que estas son precauciones generales y algunas pueden no ser aplicables al producto.

1. Leer las instrucciones – Deben leerse todas las instrucciones de operación y de seguridad antes de operar este producto.
2. Conservar las instrucciones – Deben conservarse las instrucciones de operación y seguridad para futuras referencias.
3. Poner atención a las advertencias – Todas las advertencias en el aparato y las instrucciones de operación y seguridad deben de respetarse.
4. No usar este aparato cerca del agua o humedad, por ejemplo, cerca de una bañera, lavabo, fregadero de cocina o de lavar, sótanos húmedos o cerca de una piscina.
5. Limpiar solo con una tela seca
6. Las ranuras y aberturas en la parte posterior y posterior del gabinete son provistas para la ventilación y asegurar la buena operación del reproductor y protegerlo del sobrecalentamiento. No deben bloquearse o taparse estas aberturas.
7. Este producto debe colocarse lejos de fuentes de calor como radiadores, registros de calor, estufas u otros productos que producen calor (incluso amplificadores).
8. El cordón de alimentación debe colocarse de forma tal que no exista probabilidad de pisarlo o apretarlo sobre los lugares donde será colocado o contra el aparato mismo. Poner atención particular en el cordón, la clavija, el tomacorriente y en los puntos en donde estos salen del aparato.
9. Usar solo accesorios o refacciones recomendados por el fabricante.
10. Desconectar el producto del tomacorriente durante la presencia de tormentas eléctricas o cuando no va ser usado por un periodo largo de tiempo para protegerlo.
11. Referir todo servicio a un centro de servicio autorizado o con personal calificado. El servicio es requerido cuando el aparato ha sido dañado de alguna manera, como el cordón de alimentación o clavija dañada, ha sido derramado líquido o han caído objetos en el interior del aparato, el aparato ha sido expuesto a la lluvia o humedad, el aparato no opera normalmente o se ha dejado caer.
12. **ADVERTENCIA:** Para reducir el riesgo de fuego o choque eléctrico, no exponer este producto al goteo o salpicadura de agua, a la lluvia o humedad. No colocar objetos con líquidos sobre el producto, como vasos con agua.
13. No deben bloquearse o taparse las ranura o aberturas de ventilación, colocando el producto sobre una cama, sofá alfombra u otra superficie similar. Esto puede generar sobrecalentamiento interno.
14. Usar el producto en climas moderados
15. No colocar objetos de flama viva, como velas, veladoras, etc. encima o cerca del producto.
16. **PRECAUCION:** En caso de requerir un análisis y reparación de producto, acudir al centro de servicio autorizado.
17. Para reducir el riesgo de fuego o choque eléctrico, no dar ningún servicio diferente a lo contenido en este manual.

## CONTENIDO EN EL EMPAQUE

- Barra de sonido
- Cable de Audio/Video RCA
- Cable Auxiliar
- Adaptador ca/cc
- Juego de montaje para pared
- Control remoto
- Manual de Operación
- Tarjeta de garantía

## ESPECIFICACIONES

Entrada adaptador ca/cc	110-240 Vca 50/60 Hz
Salida Adaptador ca/cc	16 Vcc 1.8 A
Potencia de salida de audio barra de sonido	25 W rms x 2 / 50 W rms totales
Distancia de operación Bluetooth®	10 metros máximo, libre de obstáculos
Distancia de operación del control remoto	5 metros máximo, libre de obstáculos

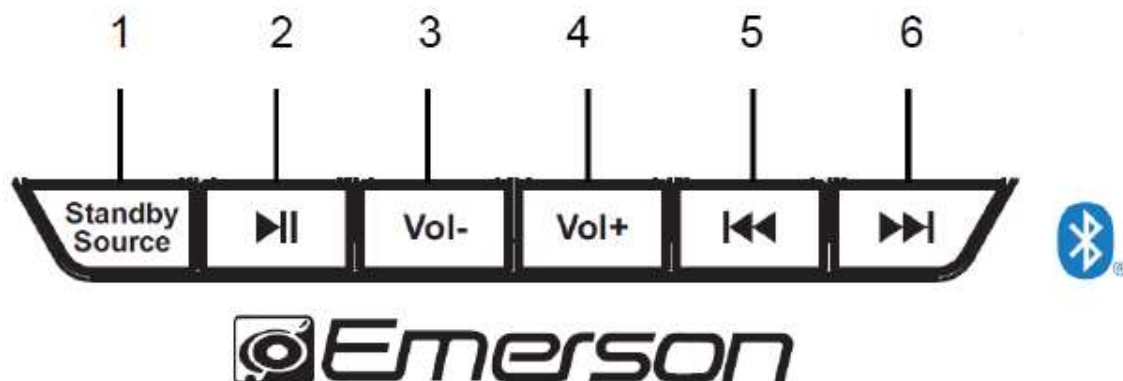
Las especificaciones y el diseño están sujetos a cambios sin previo aviso, para mejoras de los mismos.



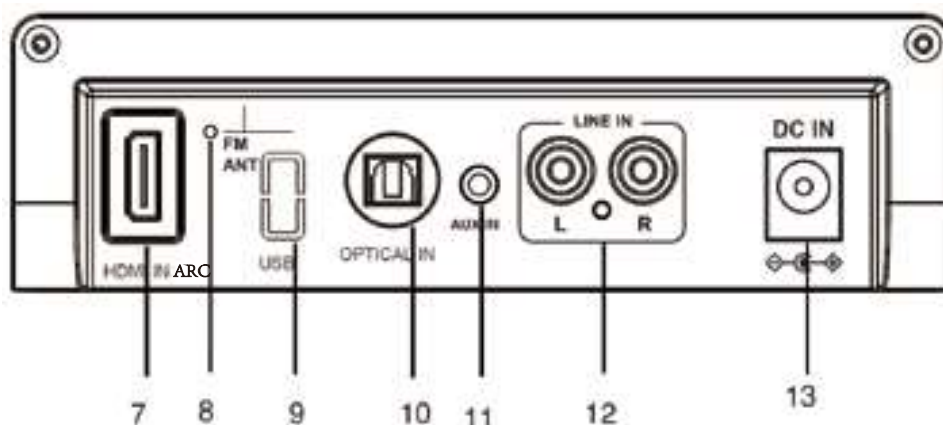
Bluetooth® es una marca en una marca registrada de Bluetooth SIG Inc. Todas las demás marcas comerciales y nombres comerciales son propiedad de sus respectivos dueños.

## DESCRIPCION DE PARTES

### Panel superior



### Panel posterior



1. Botón de Poder / Fuente "Standby/Source"
2. Botón de Reproducir/Pausar "▶||"
3. Botón de Disminuir Volumen "Vol-"
4. Botón de Aumentar Volumen "Vol+"
5. Botón de Anterior "◀◀"
6. Botón de Siguiente "▶▶"
7. Entrada HDMI "HDMI IN ARC"
8. Antena de FM ANT
9. Puerto USB
10. Entrada Óptica "OPTICAL IN"
11. Entrada Auxiliar "AUX IN"
12. Entrada de Línea "LINE IN"
13. Entrada de Vcc "DC IN"