

说明书

尺寸: 210*148mm

材质: 80g书纸

颜色: 黑白印刷

用量: 1pc

品号3020330001



37" 2.0 CH
BLUETOOTH® SOUNDBAR

EHS-2002



USER MANUAL

PLEASE READ CAREFULLY BEFORE USE AND KEEP FOR FUTURE REFERENCE.

SAFETY INSTRUCTIONS

1. Read these instructions – All the safety and operating instructions should be read before this product is operated.
2. Keep these instructions. The safety and operating instructions should be retained for future reference.
3. Heed all warnings. All warnings on the appliance and in the operating instructions should be adhered to.
4. Do not use this apparatus near water. The device should not be used near water or moisture – for example, in a wet basement or near a swimming pool, and the like.
5. Clean only with a dry cloth.
6. Do not block any ventilation openings.
7. Do not operate or place near any heat sources such as radiators, heat registers, stoves, or other apparatus (including amplifiers) that produce heat.
8. Protect the power cord from being walked on or pinched particularly at the plugs, power outlets, and at the point where they exit from the apparatus.
9. Only use attachments/accessories specified by the manufacturer.
10. Unplug the apparatus during lightning storms or when unused for long periods of time.
11. Refer all servicing to qualified personnel. Servicing is required when the apparatus has been damaged in any way, such as a damaged power supply cord or plug.
12. **WARNING:** To reduce the risk of fire or electric shock, do not expose this device to any moisture, including rain or high humidity. Do not place any vases, or any liquid containers on the speaker.
13. Only use the device in moderate climates.
14. The ventilation should not be impeded by covering the ventilation openings with items, such as newspapers, tablecloths, curtains, etc.
15. Do not place open flame sources, such as lighted candles, on the apparatus.
16. **CAUTION:** These servicing instructions are for use by qualified service personnel only.
17. To reduce the risk of electric shock do not perform any servicing other than that contained in the operating instructions unless you are qualified to do so.


PACKAGE CONTENTS

Soundbar	1 Piece	Wall Mount Kit	1 Piece
RCA Audio Cable	1 Piece	Remote Control	1 Piece
Auxiliary Cable	1 Piece	User Manual	1 Piece
AC Power Adapter	1 Piece	Warranty Card.....	1 Piece

DEVICE SPECIFICATIONS

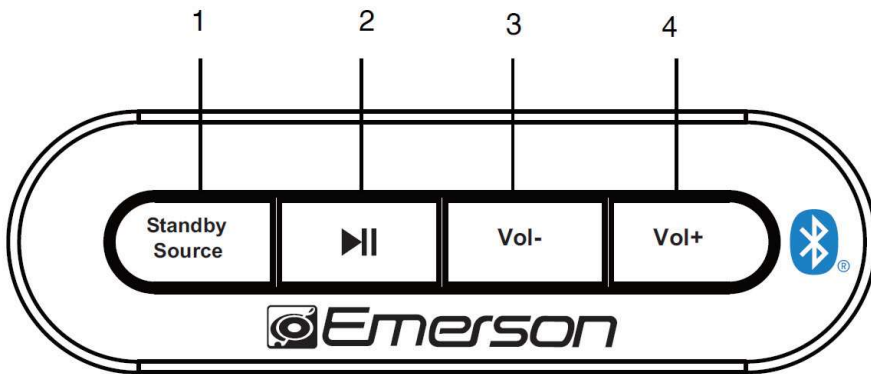
Power Input	AC 110~240V, 50/60Hz
Power Output	DC 12V, 1.5A
Audio Output of the Soundbar	10W x 2 Total 20W RMS
Bluetooth Effective Working Range	Up to 32 Feet
Remote Control Effective Working Range	Up to 16 Feet

NOTE: SPECIFICATIONS AND ACCESSORIES ARE SUBJECT TO CHANGE WITHOUT NOTICE

 **Bluetooth**[®] is a trademark on a registered trademark of Bluetooth SIG Inc. All other trademarks and trade names are those of their respective owners.

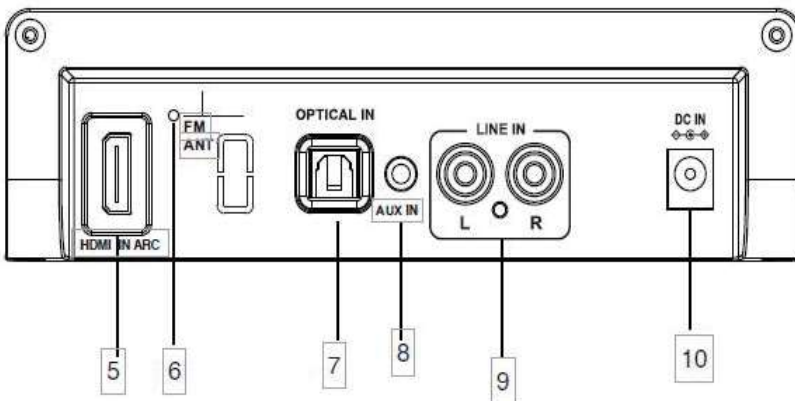
SOUNDBAR CONTROL FEATURES

Top View

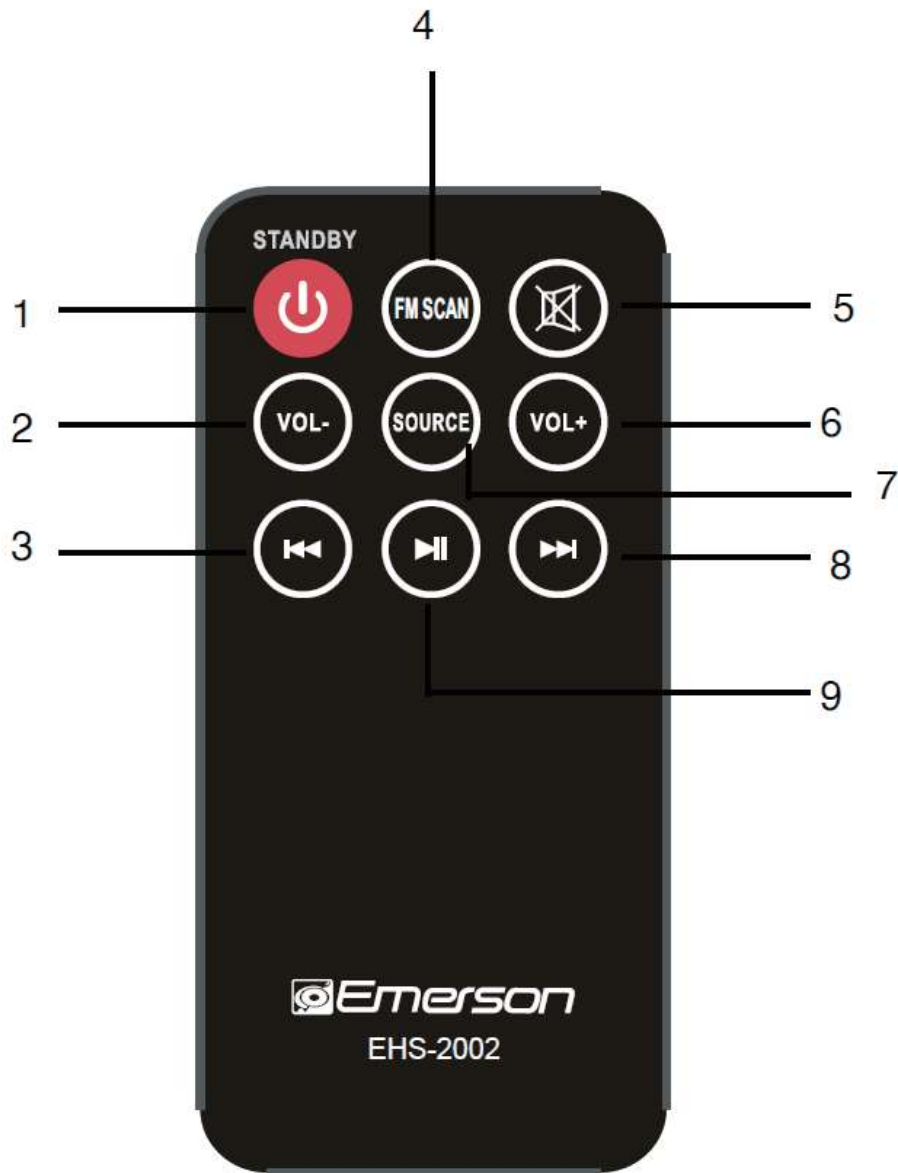


1. Standby/Source Button
2. Play/Pause Button
3. Vol- Button
4. Vol+ Button
5. HDMI In ARC Jack
6. FM Antenna
7. Optical In Jack
8. Aux In Jack
9. Line In Jacks
10. DC In Jack

Rear View



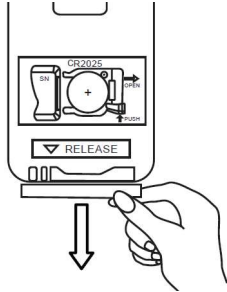
REMOTE CONTROL FEATURES



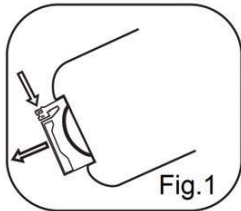
- | | |
|--------------------|----------------------|
| 1. Standby Button | 6. VOL+ Button |
| 2. VOL- Button | 7. Source Button |
| 3. Previous Button | 8. Next Button |
| 4. FM Scan Button | 9. Play/Pause Button |
| 5. Mute Button | |

INSTALLING THE REMOTE CONTROL BATTERY

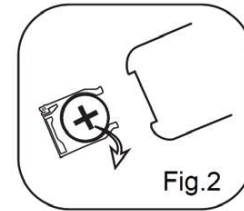
1. When installing for the first time, remove the battery insulation film.



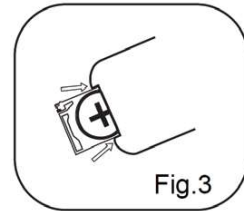
2. Push in the holder release and then pull out the battery holder. See Fig. 1.



3. Place a new CR2025 battery in the battery holder per the +/- markings displayed on the back of the remote. See Fig. 2.



4. Push the battery holder into the remote. See Fig. 3.



Notes and Warnings

WARNING: Choking/Poisoning Hazard. Keep batteries away from children.

Swallowed batteries can cause severe injury or death.

Seek immediate medical attention if a battery is swallowed, or placed in a nose or ear.

911 Emergency

National Battery Ingestion Hotline:
1-800-498-8666

1. Use only the specified type of battery.
2. Follow the correct polarity when installing the battery as indicated in the battery compartment.
3. Do not mix different types of batteries together (e.g. Alkaline and Carbon-zinc) or old batteries with new ones.
4. To prevent damage or injury from possible leakage, remove batteries if they have been drained or if the device will be unused for extended periods.
5. Do not try to recharge a battery that is intended to be recharged; it can overheat and rupture. (Follow the battery manufacturer's instructions).
6. Do not expose batteries to excessive heat, such as direct sunlight or open flames.
7. Clean the battery and device contacts prior to battery installation.
8. If the battery compartment does not close securely, stop using the product and keep it away from children.

USING THE REMOTE CONTROL

Notes

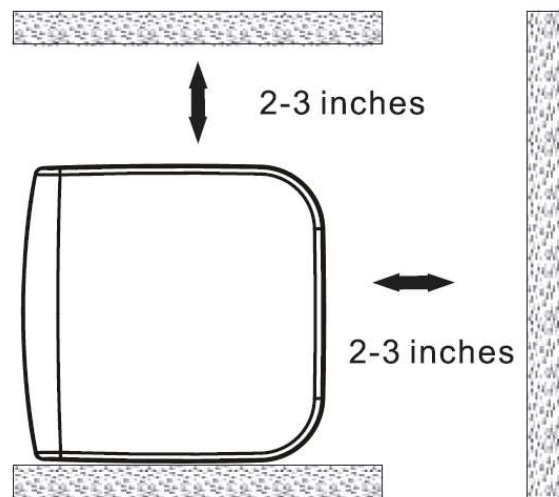
1. Obstacles between the remote control and the speaker will prevent the remote from controlling the speaker.
2. The remote control operation is unstable in strong light conditions, such as from direct sunlight, incandescent lamps, or fluorescent lamps.

PLACEMENT & MOUNTING

CLEARANCE REQUIREMENTS

- A minimum of 2 inches of ventilation clearance is required when placing the Soundbar on an entertainment center, bookshelf, or any type of enclosed space.

CAUTION: Inadequate ventilation clearance can cause a heat hazard.



Wall-Mounting the Sound Bar

IMPORTANT: Wall-mounting should only be performed by a skilled professional.

CAUTION: Improper mounting can result in damage or personal injury.

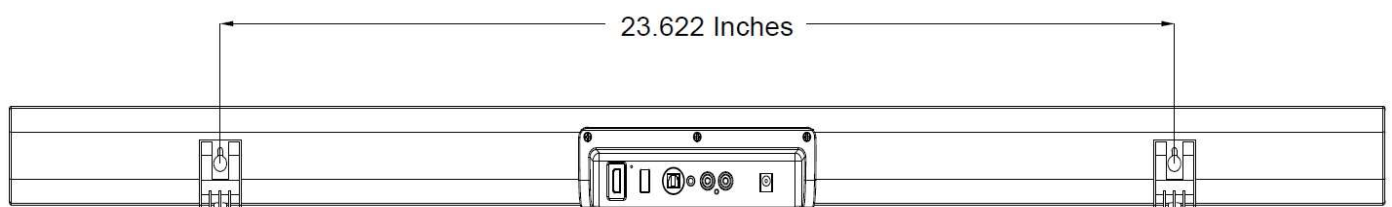
Mounting Parts

1. Mounting Brackets
2. Screws
3. Screw Anchors

Recommended Tools

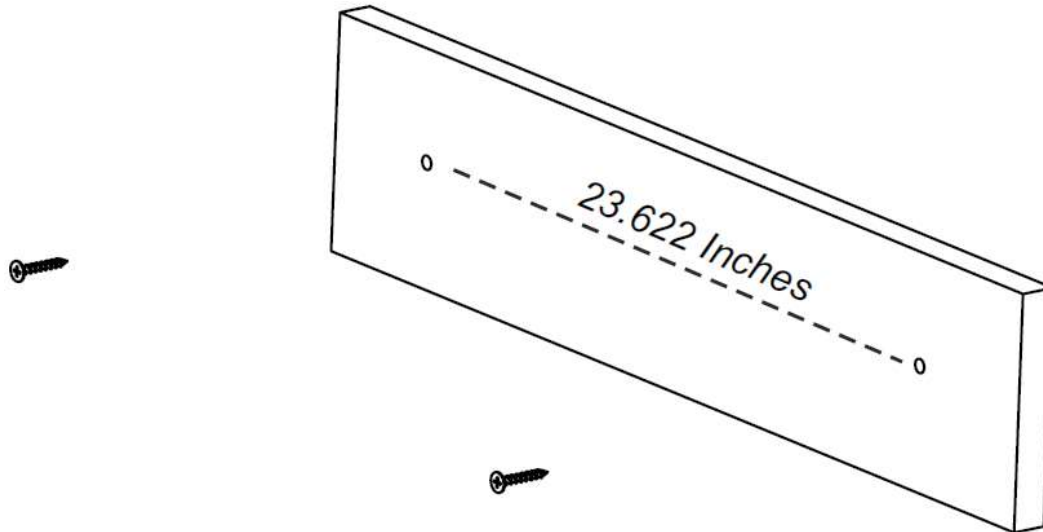
1. Electric Drill
2. Drill Bits
3. Measuring Tape

Bracket Dimensions



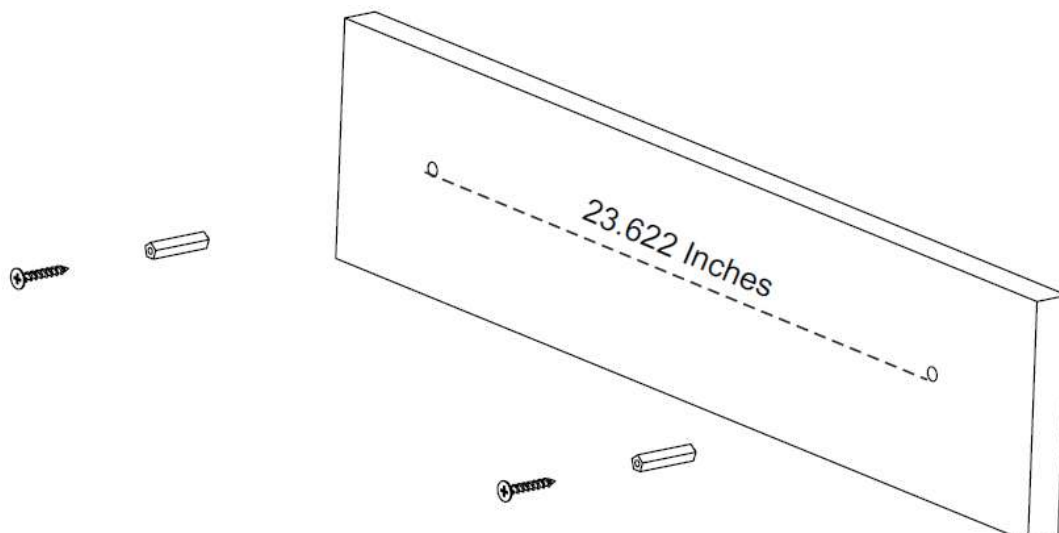
Mounting to a Wooden Wall

1. Mark the position of the mounting screws on the wall using a pencil.
2. Use an electric drill with an appropriate drill bit to drill the pilot holes.
3. Secure the screws into the pilot holes, making sure that the screws extend outward approximately 0.3 inches to support the sound bar.
4. Place the sound bar onto the mounting screws. Make sure they are firm and stable.






Mounting to a Brick Wall

1. Mark the position of the mounting screws on the wall using a pencil.
2. Use an electric drill with an appropriate drill bit to drill the pilot holes.
3. Use a hammer to insert the screw anchors into the pilot holes.
4. Secure the screws into the screw anchors, making sure that the screws extend outward approximately 0.3 inches to support the sound bar.
5. Put the sound bar onto the mounting screws. Make sure they are firm and stable.






OPERATING MODES

General Operation

1. Connect the AC/DC adapter to the unit and wall outlet.
2. Long press Standby/Source button on the soundbar to turn on/off the unit.
3. Press the Standby/Source button on the unit or press the Source button on the Remote Control repeatedly to switch to the desired mode.
4. Operating the Device:
 - To play a track, press  Press again to pause the track.
 - To select the next track, press 
 - To select the previous track, press 
 - Press the VOL- / VOL+ buttons on the unit or Remote Control to adjust the volume level as desired.
 - Press the mute button on the Remote Control to mute the sound on the soundbar. Press again to resume.
 - When finished listening, press the Standby Source button to enter standby mode. If the unit is not used for long periods, please disconnect the power.
5. Press the button on remote control or press the Standby/Source button on the Sound Bar repeatedly to switch to the desired mode. Or press the BT, LINE IN, AUX, OPTICAL, HDMI, FM button on remote control to turn to desired mode directly, the Indicator on front of the Sound Bar will turn to:

Blue.....	Bluetooth Mode
Light Green.....	LINE IN Mode
Indigo (blue+green+purple).....	AUX IN Mode
Purple (blue+purple).....	OPTICAL Mode
Cyan (blue+green).....	HDMI Mode
Green.....	FM Mode

Connect a Bluetooth Device

1. Turn On Power to the unit.
2. Press the Standby/Source button on the unit, or repeatedly press the Source button on the Remote Control until selecting Bluetooth mode.
3. Power on the external Bluetooth-enabled device and enter Bluetooth mode to search for the pairing name of the unit.
4. When 'EMERSON EHS-2002' appears, select it to make the connection.
5. Operating the Device:
 - To play a track, press . Press again to pause the track.
 - To select the next track, press .
 - To select the previous track, press .

Note: After a first-time connection, the unit will automatically connect with the last connected device if its Bluetooth function is activated and in working range.

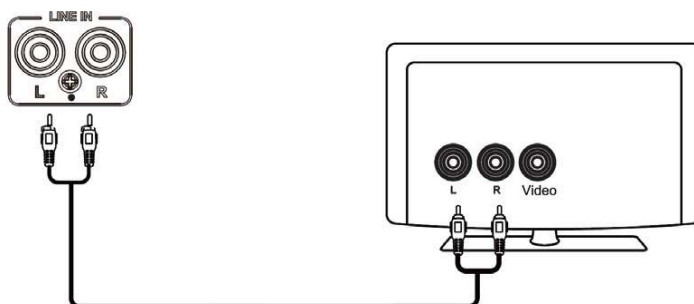
NFC One-Touch Setup

If you have a device that is equipped with NFC and Bluetooth, you can pair the device to the Soundbar with a single tap. It's just that easy!

1. Place the sound bar in Bluetooth mode (press the Standby/Source button until the Source LED turns blue).
2. Locate the NFC sensor on the "NFC" label located on the Soundbar. Touch the back of your device to the Soundbar sensor. The Soundbar will automatically detect your device.
3. Your device may ask you for permission to pair with the Soundbar. Select "yes" and pairing is complete.
4. Before attempting to use NFC to set up your Bluetooth Connection, make sure that Bluetooth and NFC are enabled on your device.
5. For devices running Android™ OS, you can find the NFC option in the "Settings > Wireless & Networks > More..." menu screen.

RCA In (Line In) Operation

Using Line-In mode enables you to listen to audio from a connected external audio/video device (such as TV, CD/DVD player).



1. Plug one end of the RCA cable into the Soundbar L & R inputs.
2. Plug the other end of the RCA cable into the RCA Out (L & R) input on the external device.
3. Turn on the sound bar.
4. Switch to RCA IN mode using the Standby/Source button on the Remote Control or the Source button on the Soundbar.
5. Play the audio using the connected external device controls, and control volume using the Soundbar controls.

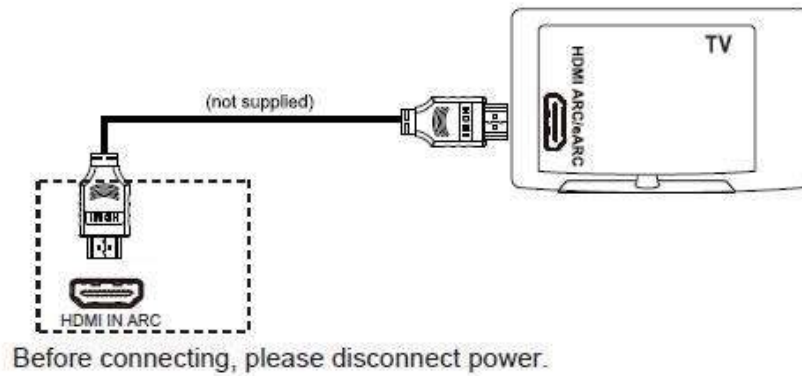
Note: Ensure that the L&R cables match the color (Red-to-Red, Yellow-to-Yellow) of the device L&R inputs.

Listening to an Auxiliary Source



1. Connect your auxiliary source (e.g. iPod/iPad/MP3 player) to the 3.5 mm AUX Input jack.
2. Press the Standby/Source button on the unit or press the Source button on the Remote Control repeatedly to switch to Auxiliary mode.
3. Start playback from your auxiliary source.
4. Adjust the volume to the desired level.
5. To stop playback, disconnect your auxiliary source from the INPUT jacks.

HDMI IN ARC Operation



A TV equipped with an HDMI IN ARC port can be connected to the Soundbar.

1. Plug one end of the HDMI Cable (not included) into the HDMI IN ARC Input.
2. Plug the other end of the HDMI Cable into the HDMI IN ARC jack on the TV.
3. Power on the Soundbar.
4. Press the Standby/Source button on the unit or press the Source button on the Remote Control repeatedly to switch to the HDMI IN mode.
5. Power on the connected TV and start playback as usual.
6. Turn on the television and start playing it.

Notes:

- The TV must have ARC capability and be connected to the HDMI IN ARC jack on the capable TV.
- If there is no audio output (only picture) or noise when your TV is connected to the unit, please check the TV audio setting, and set the Digital Audio Output to “PCM” format.





Optical-In Operation

Listen to music from the Optical Out port of an equipped video player or television.

1. Before connecting, disconnect the power.
2. Connect one end of the optical connection cable (not supplied) to the OPTICAL IN port on the back of the unit.
3. Connect the other end to the OPTICAL OUT port on the TV Back panel.
4. Power on the unit.
5. Press the Standby/Source button on the unit or press the Source button on the Remote Control repeatedly to switch to the OPTICAL-IN mode.
6. Turn on the TV or DVD player and start playing it.

Note: If there is no audio output (only picture) or noise when your TV or the DVD player is connected to the unit, please check the DVD player or TV audio setting and set the Digital Audio Output to “PCM” format.

FM Operation


1. Power ON the unit.
2. Switch to FM Mode by repeatedly pressing the Standby/Source button until reaching FM Mode, or by pressing the Source button on the Remote Control.
3. Press the FM Scan button on the remote control to search available FM stations.
4. The remote control includes the following buttons to search for & select a station:
 - To tune to a higher frequency, press: 
 - To turn to a lower frequency, press: 
 - To auto-tune to a higher station, press and hold: 
 - To auto-tune to a lower station, press and hold: 

Automatic Station Scan

1. Use the station scan feature to find stations within the broadcast reception range and save them to a preset memory.
2. To search for and save stations automatically, press and hold the Play/Pause button on the device.
3. After scanning and storing the stations is finished, press Play/Pause button on the sound bar to listen to the stored stations.

Note: To enhance radio reception, fully unwind the antenna wire and position it where it sounds best.

TROUBLESHOOTING

SYMPTOM	POSSIBLE CAUSE	POSSIBLE SOLUTION
No power	Power AC/DC Adapter not connected	Connect the power AC/DC adapter to the unit or wall outlet.
	The unit is in standby mode	Press the Standby/Source button on the unit or press  button on remote control to turn on the unit from Standby mode.
No sound	Volume in minimum position	Raise volume by pressing the Vol+ button.
	The paired/connected device is not in playing mode	Play music/movie in the paired/connected device as usual and make sure the volume level of it is in high level.
	Input source incorrect	Press the Standby/Source button on the unit or SOURCE button on the Remote Control repeatedly to set the input source to the desired mode.
Sound distortion	Volume level too high	<ul style="list-style-type: none"> • Reduce the volume level by pressing the Vol- button. • Reduce the volume level of the paired/connected device.
Remote control not working	The battery is weak	Replace with new battery
Bluetooth reception failure	The external device is too far from the unit	Put the external BT device close to the unit.
	Have not paired	Pair the unit with the BT Device as the procedures stated in this manual.



**BARRA DE SONIDO BLUETOOTH®
2.0 CANALES
93.98 cm (37")
EHS-2002**



Manual de Operación

**FAVOR DE LEER EL MANUAL COMPLETAMENTE ANTES DE OPERAR ESTE PRODUCTO.
CONSERVAR EL MANUAL PARA FUTURAS REFERENCIAS**

INSTRUCCIONES DE SEGURIDAD

Antes de usar el reproductor, asegurarse de leer todas las instrucciones de operación cuidadosamente. Favor de observar que estas son precauciones generales y algunas pueden no ser aplicables al producto.

1. Leer las instrucciones – Deben leerse todas las instrucciones de operación y de seguridad antes de operar este producto.
2. Conservar las instrucciones – Deben conservarse las instrucciones de operación y seguridad para futuras referencias.
3. Poner atención a las advertencias – Todas las advertencias en el aparato y las instrucciones de operación y seguridad deben de respetarse.
4. No usar este aparato cerca del agua o humedad, por ejemplo, cerca de una bañera, lavabo, fregadero de cocina o de lavar, sótanos húmedos o cerca de una piscina.
5. Limpiar solo con una tela seca
6. Las ranuras y aberturas en la parte posterior y posterior del gabinete son provistas para la ventilación y asegurar la buena operación del reproductor y protegerlo del sobrecalentamiento. No deben bloquearse o taparse estas aberturas.
7. Este producto debe colocarse lejos de fuentes de calor como radiadores, registros de calor, estufas u otros productos que producen calor (incluso amplificadores).
8. El cordón de alimentación debe colocarse de forma tal que no exista probabilidad de pisarlo o apretarlo sobre los lugares donde será colocado o contra el aparato mismo. Poner atención particular en el cordón, la clavija, el tomacorriente y en los puntos en donde estos salen del aparato.
9. Usar solo accesorios o refacciones recomendados por el fabricante.
10. Desconectar el producto del tomacorriente durante la presencia de tormentas eléctricas o cuando no va ser usado por un periodo largo de tiempo para protegerlo.
11. Referir todo servicio a un centro de servicio autorizado o con personal calificado. El servicio es requerido cuando el aparato ha sido dañado de alguna manera, como el cordón de alimentación o clavija dañada, ha sido derramado líquido o han caído objetos en el interior del aparato, el aparato ha sido expuesto a la lluvia o humedad, el aparato no opera normalmente o se ha dejado caer.
12. **ADVERTENCIA:** Para reducir el riesgo de fuego o choque eléctrico, no exponer este producto al goteo o salpicadura de agua, a la lluvia o humedad. No colocar objetos con líquidos sobre el producto, como vasos con agua.
13. No deben bloquearse o taparse las ranura o aberturas de ventilación, colocando el producto sobre una cama, sofá alfombra u otra superficie similar. Esto puede generar sobrecalentamiento interno.
14. Usar el producto en climas moderados
15. No colocar objetos de flama viva, como velas, veladoras, etc. encima o cerca del producto.
16. **PRECAUCION:** En caso de requerir un análisis y reparación de producto, acudir al centro de servicio autorizado.
17. Para reducir el riesgo de fuego o choque eléctrico, no dar ningún servicio diferente a lo contenido en este manual.

CONTENIDO EN EL EMPAQUE

- Barra de sonido
- Cable de Audio/Video RCA
- Cable Auxiliar
- Adaptador ca/cc
- Juego de montaje para pared
- Control remoto
- Manual de Operación
- Tarjeta de garantía

ESPECIFICACIONES

Fuente de alimentación	110-240 Vca 50/60 Hz
Poder de salida	12 Vcc 1.5 A
Potencia de salida de audio barra de sonido	10 W rms x 2 / 20 W rms totales
Distancia de operación Bluetooth®	10 metros máximo, libre de obstáculos
Distancia de operación del control remoto	5 metros máximo, libre de obstáculos

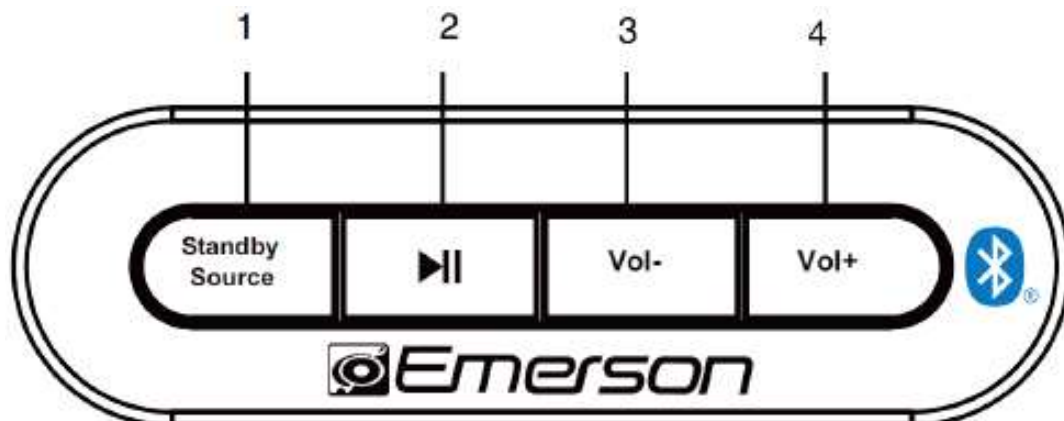
Las especificaciones y el diseño están sujetos a cambios sin previo aviso, para mejoras de los mismos.



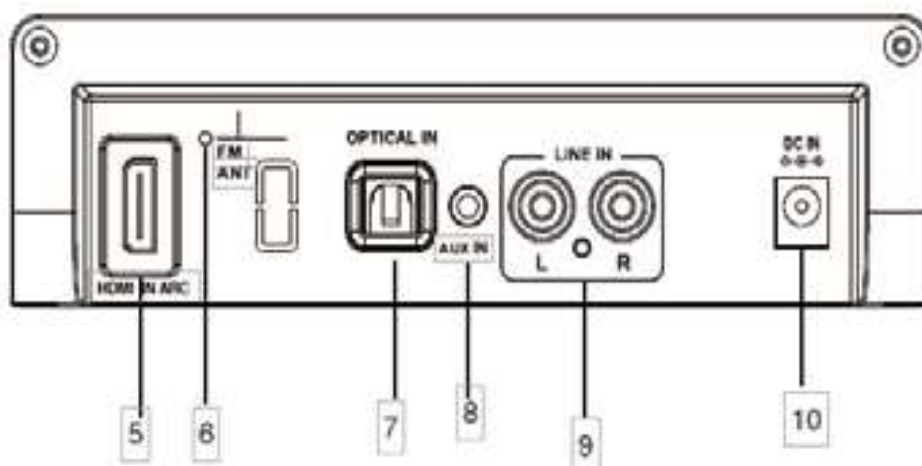
Bluetooth® es una marca en una marca registrada de Bluetooth SIG Inc. Todas las demás marcas comerciales y nombres comerciales son propiedad de sus respectivos dueños.

DESCRIPCION DE PARTES

Panel superior

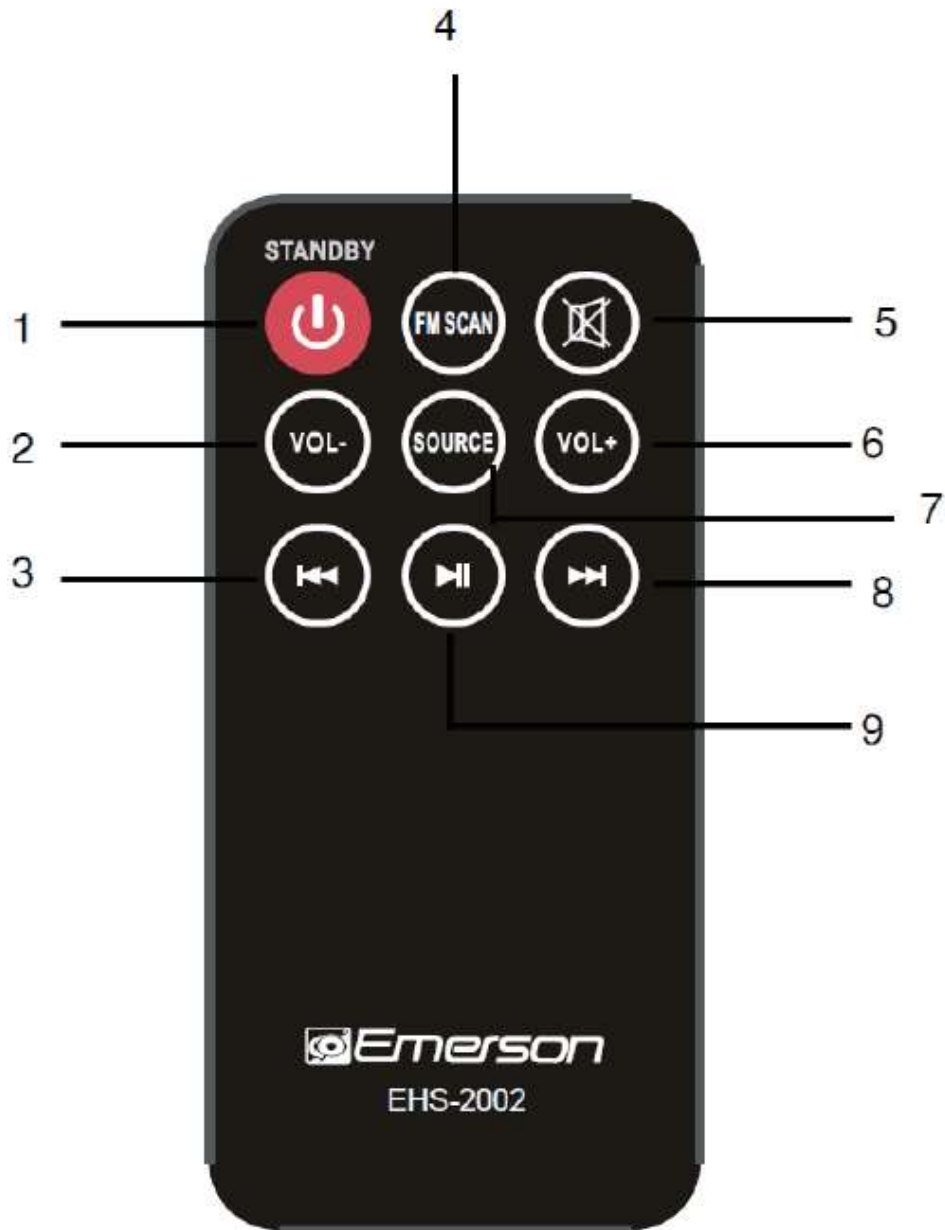


Panel posterior



1. Botón de Poder / Fuente "Standby/Source"
2. Botón de Reproducir/Pausar "▶||"
3. Botón de Disminuir Volumen "Vol-"
4. Botón de Aumentar Volumen "Vol+"
5. Entrada HDMI "HDMI IN ARC"
6. Antena de FM
7. Entrada Óptica "OPTICAL IN"
8. Entrada Auxiliar "AUX IN"
9. Entrada de Línea "LINE IN"
10. Entrada de Vcc "DC IN"

CONTROL REMOTO

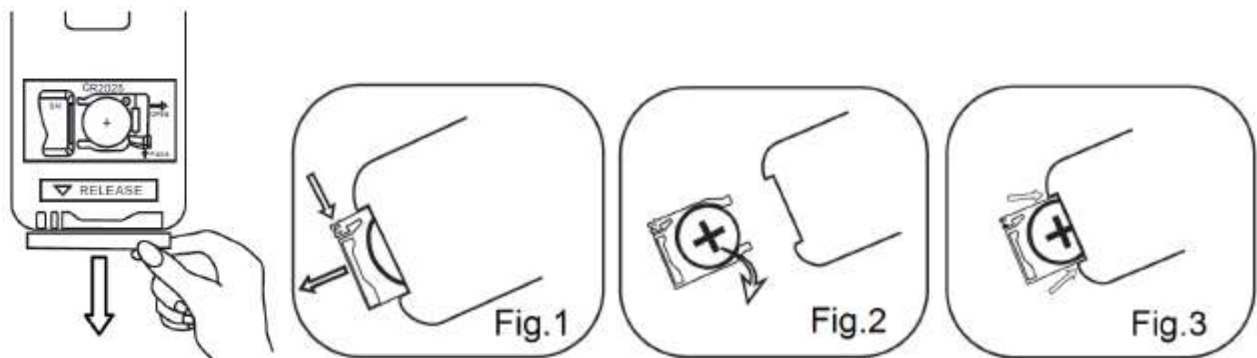


1. Poder
2. Disminuir Volumen "VOL-"
3. Anterior "◀◀"
4. Escaneo FM "FM SCAN"
5. Silencio "MUTE"

6. Aumentar Volumen "Vol+"
7. Fuente "SOURCE"
8. Siguiente "▶▶"
9. Reproducir/Pausar "▶ ||"

INSTALACION DE LAS BATERIAS EN EL CONTROL REMOTO

1. Al usar el control remoto por primera vez, Retirar y desechar el aislamiento plástico
2. Empujar el seguro y deslizar hacia fuera la bandeja de la batería, ver Fig. 1.
3. Colocar una batería nueva de 3 Vcc tipo botón CR2025 con el lado positivo hacia arriba, ver Fig 2.
4. Introducir la bandeja de la batería en el control nuevamente, ver Fig 3.



Notas y advertencias:

ADVERTENCIA: Las baterías pequeñas pueden causar peligro de asfixia o envenenamiento. Mantener las baterías fuera del alcance de los niños, personas con capacidades diferentes y mascotas. Las baterías tragadas pueden causar serias lesiones e incluso la muerte. Buscar atención inmediatamente si se traga una batería o es colocada en nariz u oído.

1. Usar solo el tipo y tamaño de batería especificada.
2. Asegurarse de colocar la polaridad correcta al reemplazar la batería como se indica en la bandeja, una polaridad inadecuada puede causar daños al control.
3. No mezclar diferentes tipos de baterías (por ejemplo, alcalinas con Zinc carbón) o baterías nuevas con usadas.
4. Si la batería está agotada o el control remoto no va ser usado por un periodo largo de tiempo, remover la batería para prevenir daños o lesiones por posible fuga de ácido.
5. No intentar recargar baterías no recargables, esto puede sobrecalentarlas y generar una ruptura o explosión (seguir las instrucciones del fabricante de las baterías).
6. No exponer las baterías a calor excesivo como bajo los rayos directos del sol, fuego o similares.
7. Limpiar los contactos de la batería y del control antes de instalar la batería.
8. El control remoto incluido cuenta con una batería tipo botón. Si la batería es tragada, esta puede causar severas quemaduras internas en 2 horas que pueden ser de consecuencias fatales. Mantener las baterías usadas y nuevas lejos del alcance de los niños. Si el compartimiento de las baterías no cierra de manera segura, detener el uso del control remoto y mantenerlo lejos de los niños. Si piensa que la batería ha sido tragada o colocada en cualquier parte del cuerpo, acudir al médico inmediatamente.

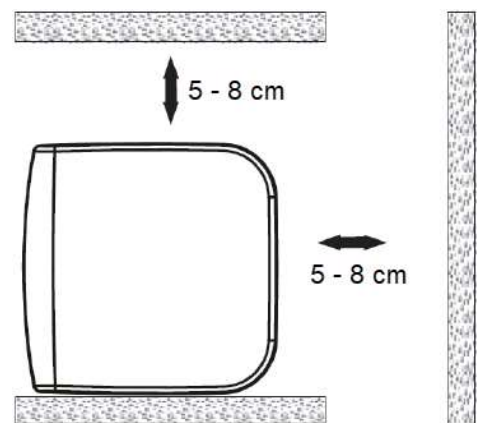
OPERACION DEL CONTROL REMOTO

- Cuando existen obstáculos entre el emisor del control remoto y el sensor infrarrojo de la unidad, el control remoto puede no operar adecuadamente.
- Cuando los rayos directos del sol, la luz de lámparas incandescentes, lámparas fluorescentes o cualquier otra fuente fuerte de luz está dirigida al sensor infrarrojo de la unidad, la operación del control remoto puede ser inestable.
- Dirigir el control remoto al sensor remoto de la barra de sonido con un ángulo de 30 ° a los lados y una distancia de 5 metros máximo.

COLOCACION Y MONTAJE

Requerimiento de espacio libre

Al colocar la barra de sonido en un centro de entretenimiento, estantería, o cualquier tipo de espacio cerrado, asegurarse de dejar espacio libre de 5 a 8 cm alrededor de los mismos para una adecuada ventilación. **PRECAUCION:** Si la barra de sonido está en un espacio reducido sin ventilación adecuada, el calor generado por los mismos puede producir un riesgo potencial de sobrecalentamiento.



Montaje en pared de la barra de sonido

IMPORTANTE: El montaje en la pared solo debe ser realizado por un profesional calificado.

PRECAUCIÓN: El montaje incorrecto puede provocar daños a la barra o lesiones personales.

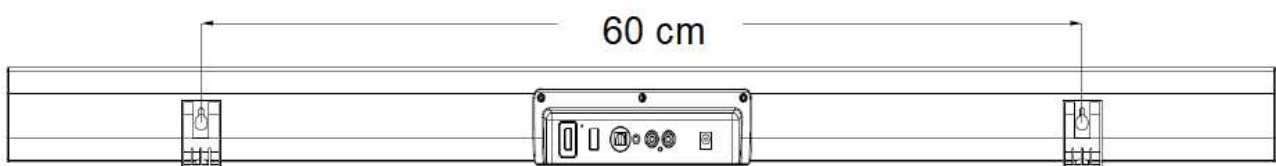
Partes de Montaje

1. Soportes de montaje
2. Tornillos
3. Taquetes

Herramientas recomendadas

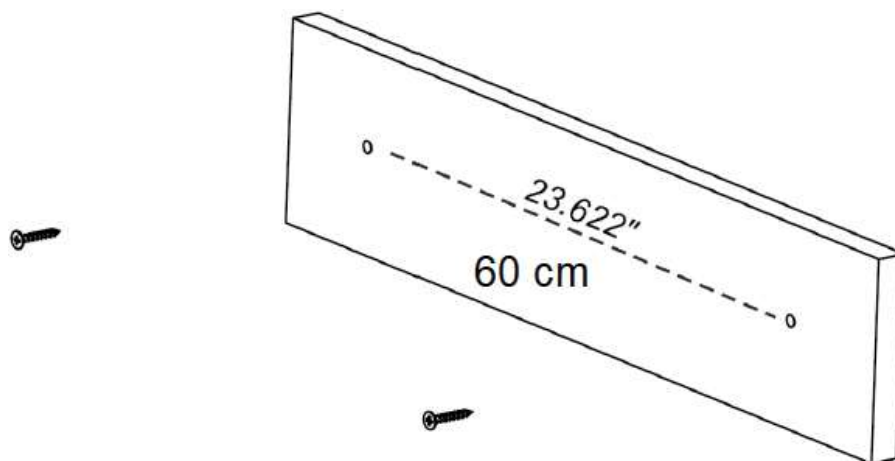
1. Taladro
2. Brocas
3. Cinta métrica

Distancia entre los soportes



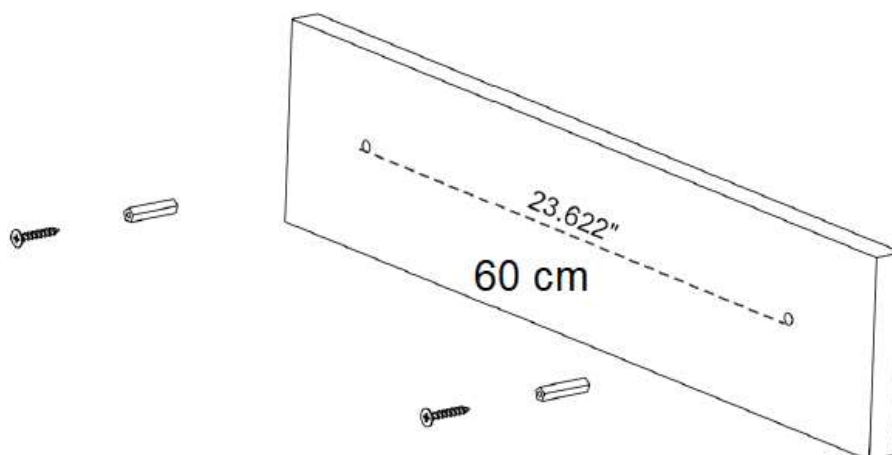
Montaje sobre una pared de madera

1. Marcar la posición de los tornillos de montaje en la pared con una separación de 60 cm (23.622") usando una pluma o lápiz. Usar una regla y nivel para asegurarse que los puntos marcados estén nivelados.
2. Con el taladro y broca adecuada hacer la perforación para los tornillos.
3. Atornillar los tornillos sobre los puntos marcados en la madera, dejando aproximadamente 8 milímetros del tornillo fuera de la pared para enganchar la barra de sonido.
4. Colocar la barra de sonido dentro de los tornillos de montaje. Asegurase que la barra de sonido está colocada de manera firme y estable.



Montaje sobre una pared de ladrillo

1. Marcar la posición de los tornillos de montaje en la pared con una separación de 74 cm (29.134") usando una pluma o lápiz. Usar una regla y nivel para asegurarse que los puntos marcados estén nivelados.
2. Con el taladro y broca adecuada hacer la perforación para los tornillos.
3. Colocar los taquetes en las perforaciones
4. Atornillar los tornillos sobre los puntos marcados en la madera, dejando aproximadamente 8 milímetros del tornillo fuera de la pared para enganchar la barra de sonido.
5. Colocar la barra de sonido dentro de los tornillos de montaje. Asegurase que la barra de sonido está colocada de manera firme y estable.



OPERACION

Operación General

1. Conectar el adaptador ca/cc a la barra de sonido y tomacorriente.
2. Presionar "Stanby/source" en la unidad o "PODER" en el control remoto para Encender o Apagar la barra de sonido.
3. Estando la barra de sonido encendida, presionar repetidamente "Stanby/source" en la unidad o "SOURCE" en el control remoto para seleccionar el modo de operación deseado.
4. Operación de la barra
 - Presionar "▶ II" para Iniciar, Pausar o Reanudar la reproducción.
 - Presionar "▶▶" para seleccionar la pista siguiente.
 - Presionar "◀◀" para seleccionar la pista anterior.
 - Presionar "Vol-", "Vol+" para ajustar el volumen al nivel deseado.
 - Presionar "Silencio" en el control remoto para desactivar la salida de audio. Presionar nuevamente para volver a activar la salida de audio.
 - Al finalizar de escuchar la barra de sonido, presionar "Stanby/source" en la unidad o "PODER" en el control remoto para apagarla y entrar al modo de espera. Si no va usar la barra de sonido por un periodo largo de tiempo, desconectar el adaptador ca/cc de la barra de sonido y del tomacorriente.
5. Presione el botón en el control remoto o el botón de espera / fuente en el sonido Haga clic repetidamente para cambiar al modo deseado. O presione BT, LINE IN, AUX, OPTICAL, HDMI, FM El botón en el control remoto se puede girar directamente al modo deseado

La barra de sonido irá a:

Azul.....	Modo Bluetooth
Verde claro.....	Modo de entrada de línea
índigo (azul + verde + morado).....	Modo AUX IN
Morado (azul + morado).....	Modo óptico
Azul (azul + verde).....	ModoHDMI
Verde.....	Modo FM

Sincronía a un Dispositivo Bluetooth®

1. Encender la barra de sonido.
2. Presione el botón de Standby/Source en el dispositivo o presione repetidamente el botón de fuente en el control remoto hasta que se seleccione el modo bluetooth.
3. Usar el dispositivo Bluetooth® externo para buscar dispositivos Bluetooth® cercanos (esta función se encuentra usualmente en el menú de ajustes Bluetooth®, referirse al manual de operación del dispositivo Bluetooth® externo para mayor información). El producto es identificado como "EMERSON EHS-2002" en la lista de dispositivos encontrados.
4. Seleccionar "EMERSON EHS-2002" para sincronizarlos.
5. Ahora puede iniciar la reproducción de forma inalámbrica.
 - Presionar "II ▶" para Iniciar, Pausar o Reanudar la reproducción.
 - Presionar "▶▶" para seleccionar la pista siguiente.
 - Presionar "◀◀" para seleccionar la pista anterior.

Notas: Después de sincronizar por primera vez, los dispositivos se conectan automáticamente con el último dispositivo conectado si la función de Bluetooth® está activada y dentro del rango de operación.

Solo un dispositivo Bluetooth® se puede sincronizar a la vez.

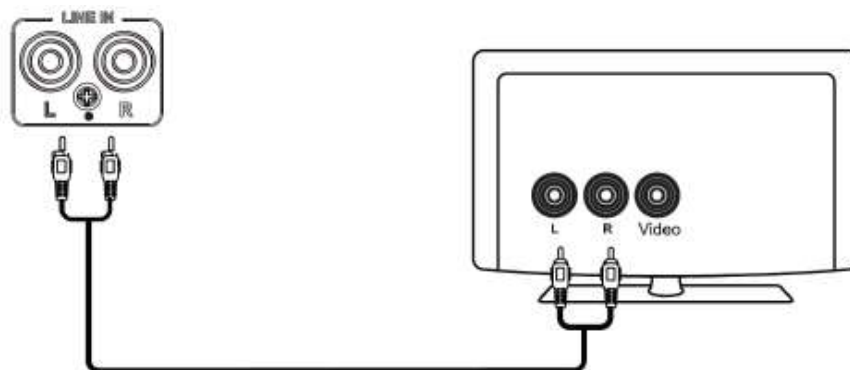
Configuración de un solo toque NFC

Si tiene un dispositivo equipado con NFC y Bluetooth®, puede sincronizar el dispositivo a la barra de sonido con un solo toque. ¡Así de fácil!

1. Colocar la barra de sonido en el modo de "Bluetooth" (presionar Standby/Source hasta que el LED de Modo se ilumina en azul.)
2. Localizar el sensor NFC en la etiqueta "NFC" ubicada en la barra de sonido. Tocar la parte posterior del dispositivo Bluetooth® con el sensor de la barra de sonido. La barra de sonido detecta automáticamente el dispositivo Bluetooth®.
3. Es posible que el dispositivo Bluetooth® requiera permiso para emparejarse con la barra de sonido. Seleccionar "YES" para finalizar la sincronía.
4. Antes de intentar usar NFC para configurar la sincronía Bluetooth®, asegurarse que las funciones de Bluetooth® y NFC estén habilitadas en los dispositivos.
5. Para dispositivos que funcionan con el Sistema operativo Android™, puede encontrar la opción NFC en "Configuración > Inalámbrico y Redes > Más..." en las pantallas de menú.

Entrada de Línea

A través de la barra de sonido puede reproducir el sonido de un dispositivo de Audio/Video externo. Por ejemplo, de una TV, reproductor de CD/DVD, etc.



1. Insertar unos de los extremos del cable RCA incluido, en los conectores de entrada RCA de la barra de sonido.
2. Conectar los otros extremos del cable RCA en la salida de audio del dispositivo externo.
3. Encender la barra de sonido.
4. Presionar repetidamente "Stanby/source" en la unidad o "SOURCE" en el control remoto para seleccionar el modo de Entrada de Línea.
5. Encender el dispositivo externo e iniciar la reproducción del mismo.

Nota: Poner especial atención al código de colores de los conectores del cable RCA (rojo con rojo, blanco a blanco) al hacer la conexión entre la barra de sonido y el dispositivo de audio externo.

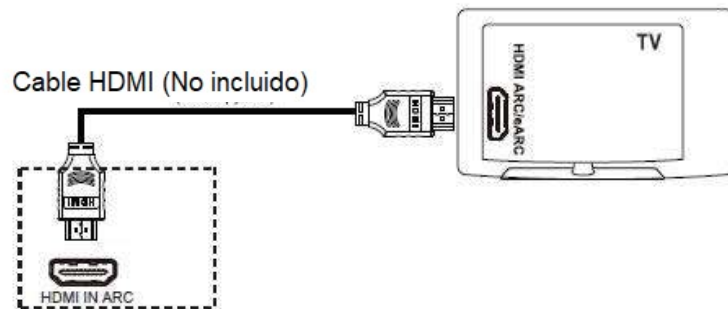
Entrada Auxiliar

La entrada auxiliar sirve para reproducir dispositivos de audio externos, como reproductores MP3, teléfonos, etc.



1. Conectar la salida del dispositivo de audio externo al conector de entrada auxiliar de Ø3.5 mm de la barra de sonido a través del cable auxiliar incluido.
2. Presionar repetidamente "Stanby/source" en la unidad o "SOURCE" en el control remoto para seleccionar el modo de Entrada Auxiliar.
3. Reproducir el audio a través del dispositivo de audio externo.
4. Ajustar el volumen al nivel deseado.
5. El control de la reproducción es a través del dispositivo de audio externo.

Entrada HDMI IN ARC



Una Televisión con conector de salida HDMI IN ARC se puede conectar a la barra de sonido y reproducir la salida de audio a través de la misma.

1. Antes de hacer la conexión, asegurarse que los dispositivos estén apagados.
2. Conectar un extremo del cable HDMI (no incluido) en el conector de entrada HDMI de la barra de sonido.
3. Conectar el otro extremo del cable HDMI en el conector de salida HDMI de la Televisión.
4. Encender la barra de sonido.
5. Presionar repetidamente "Stanby/source" en la unidad o "SOURCE" en el control remoto para seleccionar el modo de Entrada HDMI.
6. Encender la Televisión e iniciar la reproducción de la misma.

Notas:

- La Televisión debe tener capacidad ARC y estar conectado a la salida HDMI IN ARC.
- Si no hay salida de audio (solo imagen) o se presenta ruido cuando la Televisión está conectada a la barra de sonido, verificar la configuración de audio de la Televisión y configurar la Salida de Audio Digital a formato "PCM".

Entrada Óptica

Una Televisión o reproductor DVD con conector de salida Óptica se pueden conectar a la barra de sonido y reproducir la salida de audio a través de la misma.

1. Antes de hacer la conexión, asegurarse que los dispositivos estén apagados.
2. Conectar un extremo del cable Óptico (no incluido) en el conector de entrada Óptica de la barra de sonido.
3. Conectar el otro extremo del cable Óptico en el conector de salida Óptica de la Televisión o reproductor DVD.
4. Encender la barra de sonido.
5. Presionar repetidamente "Stanby/source" en la unidad o "SOURCE" en el control remoto para seleccionar el modo de Entrada Óptica.
6. Encender la Televisión o reproductor DVD e iniciar la reproducción del mismo.

Nota: Si no hay salida de audio (solo imagen) o se presenta ruido cuando la Televisión o reproductor DVD están conectados a la barra de sonido, verificar la configuración de audio de la Televisión o reproductor DVD y configurar la Salida de Audio Digital a formato "PCM".

Radio FM

1. Encender la barra de sonido.
2. Presionar repetidamente "Stanby/source" en la unidad o "SOURCE" en el control remoto para seleccionar el modo de Radio FM.
3. Presionar "FM SCAN" en el control remoto para sintonizar una estación con señal.
4. El control remoto incluye botones para buscar automáticamente una estación.
 - Para sintonizar una frecuencia más alta, presione "▶▶".
 - Para sintonizar una frecuencia más baja, presione "◀◀".
 - Para sintonía paso a paso, presionar continuamente "◀◀" en el control remoto hasta sintonizar la estación anterior.
 - Para sintonía paso a paso, presionar continuamente "▶▶" en el control remoto hasta sintonizar la estación siguiente.

Escaneo automático de las estaciones

1. Presionar "FM SCAN" en el control remoto para sintonizar una estación con señal.
2. Presionar y sostener "▶ ||" en la barra de sonido para iniciar el escaneo y almacenamiento automático de las estaciones con señal en memoria.
3. Una vez finalizado el escaneo y almacenamiento de las estaciones, presionar "▶ ||" en la barra de sonido para escuchar las estaciones almacenadas.

Nota: Para mejorar la sintonía de las estaciones de radio, extender completamente y direccionar el cable de la antena.

GUIA PARA LA SOLUCION DE PROBLEMAS

Verificar la siguiente guía antes de acudir al centro de servicio autorizado.

PROBLEMA	POSIBLE CAUSA	POSIBLE SOLUCIÓN
La barra no enciende	El adaptador de ca/cc no está conectado	Conectar el adaptador de ca/cc
	La barra esta en modo de espera	Presionar "STANDBY/SOURCE" en la barra o "⏻" en el control remoto para encender la barra
No hay salida de audio o es débil	El volumen de la barra esta está demasiado bajo	Aumentar el volumen de la barra
	El volumen del dispositivo conectado / sincronizado está demasiado bajo	Aumentar el volumen del dispositivo conectado/sincronizado
	El dispositivo conectado / sincronizado no está en modo de reproducción	Iniciar la reproducción en el conectado / sincronizado
	Modo de fuente incorrecto	Presionar "STANDBY/SOURCE" en la barra o "SOURCE" en el control remoto para seleccionar el modo de fuente correcto
La salida de audio esta distorsionada	El volumen de la barra está demasiado alto	Disminuir el volumen de la barra
	El volumen del dispositivo conectado / sincronizado está a demasiado alto	Disminuir el volumen del dispositivo conectado / sincronizado
El control remoto no opera	No se removió el aislamiento de plástico en el control remoto	Remover el aislamiento de plástico del control remoto
	La batería está débil	Reemplazar la batería por una nueva
	Hay obstáculos entre el control remoto y sensor infrarrojo	Eliminar los obstáculos
No opera la función Bluetooth®	El dispositivo conectado / sincronizado esta demasiado lejos de la barra	Disminuir la distancia entre el dispositivo Bluetooth® y la barra
	La barra y el dispositivo Bluetooth® no están sincronizados	Sincronizar la barra y el dispositivo Bluetooth®

NOTICIA FCC

ADVERTENCIA: Cualquier cambio o modificación no aprobada expresamente por el fabricante de este producto puede anular la propiedad para operar el producto.

NOTA: Este producto ha sido probado y cumple con las limitaciones de un equipo digital Clase B, de acuerdo con la Parte 15 de las Normas FCC.

Estos límites están diseñados para permitir una protección razonable contra interferencia dañina en una instalación residencial. Este producto genera, usa y puede emitir energía de frecuencia radial y, de no ser instalado y utilizado de acuerdo con las instrucciones, puede causar interferencia dañina a las comunicaciones radiales.

Sin embargo, no existe garantía de que la interferencia no pueda ocurrir en una instalación particular. Si este producto causa una interferencia dañina a la recepción de la radio o la televisión, lo cual se puede determinar encendiendo y apagando el equipo, se recomienda al usuario tratar de corregir la interferencia mediante una o más de las siguientes medidas:

- Orientar o reubicar la antena receptora.
- Aumentar la separación entre el producto y el receptor.
- Conectar el equipo a una salida de un circuito diferente al receptor.
- Consultar a su proveedor o a un técnico de Radio y televisión.

SOPORTE

Si tiene problemas con la operación de este producto, favor de consultar las instrucciones en este manual, así como las últimas noticias, recomendaciones y documentación que puede encontrar en nuestra página web www.emersonaudio.com.

Si necesita asistencia futura, favor de contactar al centro de servicio autorizado o soporte técnico autorizado.

Soporte Técnico EMERSON
2320 East 49th St
Vernon, CA 90058
Tel: 323 583-8883

Correo Electrónico: support@emersonaudio.com

Hecho en China

FCC Caution:

This device complies with part 15 of the FCC Rules. Operation is subject to the following two conditions:(1) this device may not cause harmful interference, and (2) this device must accept any interference received, including interference that may cause undesired operation.

Any changes or modifications not expressly approved by the party responsible for compliance could void the user's authority to operate the equipment.

NOTE: This equipment has been tested and found to comply with the limits for a Class B digital device, pursuant to Part 15 of the FCC Rules. These limits are designed to provide reasonable protection against harmful interference in a residential installation. This equipment generates, uses and can radiate radio frequency energy and, if not installed and used in accordance with the instructions, may cause harmful interference to radio communications. However, there is no guarantee that interference will not occur in a particular installation.

If this equipment does cause harmful interference to radio or television reception, which can be determined by turning the equipment off and on, the user is encouraged to try to correct the interference by one or more of the following measures:

- Reorient or relocate the receiving antenna.
- Increase the separation between the equipment and receiver.
- Connect the equipment into an outlet on a circuit different from that to which the receiver is connected.
- Consult the dealer or an experienced radio/TV technician for help.

To maintain compliance with FCC's RF Exposure guidelines, This equipment should be installed and operated with minimum distance between 20cm the radiator your body:
Use only the supplied antenna.