

# mem::rex®

Dual 8 inch Portable Bluetooth Speaker

MODEL | **MX-BTS800**

OPERATION MANUAL



ENGLISH

## SPECIAL NOTES

For users in U.S.



### CAUTION

**RISK OF ELECTRIC SHOCK DO NOT OPEN**



**CAUTION: TO REDUCE THE RISK OF ELECTRIC SHOCK, DO NOT REMOVE COVER (OR BACK). NO USER-SERVICEABLE PARTS INSIDE. REFER SERVICING TO QUALIFIED SERVICE PERSONNEL.**

#### Explanation of Graphical Symbols:



The lightning flash with arrowhead symbol, within an equilateral triangle, is intended to alert the user to the presence of uninsulated "dangerous voltage" within the product's enclosure that may be of sufficient magnitude to constitute a risk of electric shock to persons.



The exclamation point within an equilateral triangle is intended to alert the user to the presence of important operating and maintenance (servicing) instructions in the literature accompanying the appliance.

**WARNING: TO REDUCE THE RISK OF FIRE OR ELECTRIC SHOCK, DO NOT EXPOSE THIS APPLIANCE TO RAIN OR MOISTURE.**

### FOR YOUR RECORDS

For your assistance in reporting this unit in case of loss or theft, please record below the model number and serial number which are located at the bottom of the unit.

Please retain this information.

Model number \_\_\_\_\_

Serial number \_\_\_\_\_

Date of purchase \_\_\_\_\_

Place of purchase \_\_\_\_\_

To obtain service or product information,  
call **1-877-506-4900**

## FCC COMPLIANCE STATEMENT

This device complies with part 15 of the FCC Rules. Operation is subject to the following two conditions: (1) This device may not cause harmful interference, and (2) this device must accept any interference received, including interference that may cause undesired operation.

Note: This equipment has been tested and found to comply with the limits for a Class B digital device, pursuant to part 15 of the FCC Rules. These limits are designed to provide reasonable protection against harmful interference in a residential installation. This equipment generates, uses and can radiate radio frequency energy and, if not installed and used in accordance with the instructions, may cause harmful interference to radio communications. However, there is no guarantee that interference will not occur in a particular

installation. If this equipment does cause harmful interference to radio or television reception, which can be determined by turning the equipment off and on, the user is encouraged to try to correct the interference by one or more of the following measures:

- Reorient or relocate the receiving antenna.
- Increase the separation between the equipment and receiver.
- Connect the equipment into an outlet on a circuit different from that to which the receiver is connected.
- Consult the dealer or an experienced radio/TV technician for help.

Note: The Grantee is not responsible for any changes or modifications not expressly approved by the party responsible for compliance. such modifications could void the user's authority to operate the equipment.

The device has been evaluated to meet general RF exposure requirement.

To maintain compliance with FCC's RF exposure guidelines, the distance must be at least 20 cm between the radiator and your body, and fully supported by the operating and installation.

## SAFETY INSTRUCTIONS

1. **Read Instructions:** All the safety and operating instructions should be read before the appliance is operated.
2. **Retain Instructions:** The safety and operating instructions should be well kept for future reference.
3. **Heed Warnings:** All warnings on the appliance and in the operating instructions should be adhered to.
4. **Follow Instructions:** All operating and use instructions should be followed.
5. **Power Sources:** The appliance should be connected to a power supply only of the type described in the operating instructions or as marked on the appliance.
6. **Power-Cord Protection:** Power supply cords should be routed so that they are not likely to be walked on or pinched by items placed upon or against them, paying particular attention to cords at plugs, convenience receptacles, and the point at which they exit from the appliance.
7. **Overloading:** Do not overload wall outlets and extension cords as this can result in a risk of fire or electric shock.
8. **Grounding or Polarization:** Precaution should be taken to insure that the grounding or polarization means of an appliance is not defeated.
9. **Severe weather:** In extreme weather such as lightning storm, hurricane, unplug it from the wall outlet and disconnect the antenna or cable system. This will prevent damage to the appliance due to unexpected power surges.
10. **Water and Moisture:** The appliance should not be used near water-for example, near a bathtub, washbowl, kitchen sink, laundry tub, swimming pool, or a wet basement.
11. **Heat:** The appliance should be situated away from heat sources such as radiators, heat registers, stoves, or other appliances (including amplifiers) that produce heat.
12. **Object/Liquid Entry:** Care should be taken so that no object/liquid enter into the enclosure through openings.
13. **Ventilation:** The appliance should not be situated so that its location (on a bed, sofa, rug, or similar surface) or position (such as a bookcase or cabinet) interferes with its proper ventilation.
14. **Mounting:** The appliance should be mounted only as recommended by the manufacturer.
15. **Cleaning:** Only use a soft dry cloth to clean the appliance.
16. **Servicing:** The user should not attempt to service the appliance beyond that described in the user's operating instructions. All other servicing should be referred to qualified personnel.

## SAFETY INSTRUCTIONS

17. **Replacement Parts:** When replacement parts are required, be sure the service technician has used replacement parts specified by the manufacturer. Unauthorized substitutions may result in fire, electric shock or other hazards.

18. **Damage Requiring Service:** The appliance should be serviced by qualified service personnel when:








- The power-supply cord or plug has been damaged.
- Objects have fallen into, or liquid has been spilled into the appliance enclosure.
- The appliance has been exposed to rain.
- The appliance has been dropped, or the enclosure damaged.
- The appliance does not appear to operate normally or exhibits a marked change in performance.

19. **Carts and Stands:** An appliance and cart combination should be moved with care. Quick stops, excessive force, and uneven surfaces cause the appliance and cart combination to overturn.

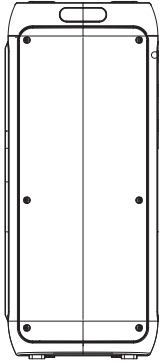


20. **Non-use Periods:** The power cord of the appliance should be unplugged from the outlet/The batteries should be removed when the appliance is to be left unused for a long period of time.

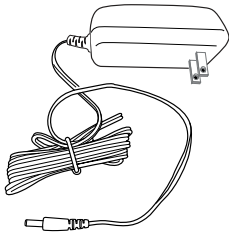
## Symbols

Symbol	English Explanation
	The symbol indicates class II equipment
	The symbol indicates AC voltage
	The symbol indicates DC voltage
	For indoor use only
	The symbol indicates energy efficiency marking
	<b>CAUTION</b> The battery used, please refer for further information to the user manual
	The symbol indicates polarity of d.c. power connector

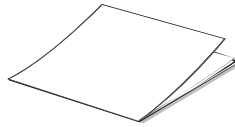
## Included



Main Unit



AC Adaptor

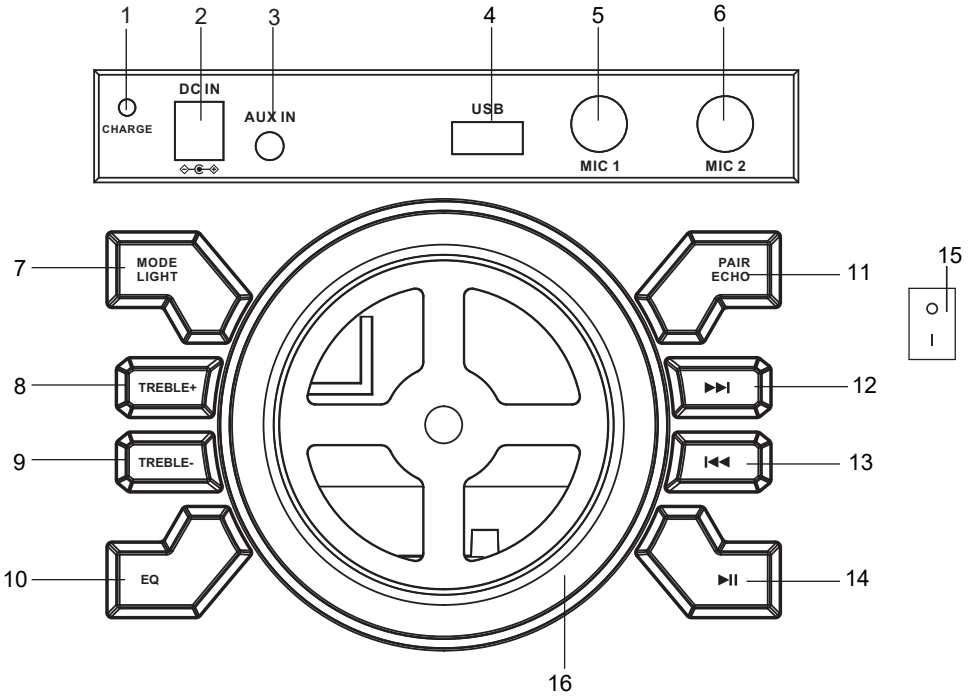


Manual

## Device Specification

Power (PMPO)	600 W
Bluetooth	version 5.0, Range to 10 meters
Speaker output	30 Wx2
Power source	AC input 100-240 V~ 50/60 Hz DC output 16 V 3 A
Mic Jack	6.3 mm
Aux-in Jack	3.5 mm
Battery	12 V 5.25 AH
Operating frequency	2402-2480 MHz
Maximum transmission power	4 dBm

## Locations of Control (Top)



1. Charge Indicator

2. DC In

3. AUX In

4. USB Slot

5. MIC 1 Jack

6. MIC 2 Jack

7. Mode/ Light

8. Treble+

9. Treble-

10. EQ

11. Pair/ Echo

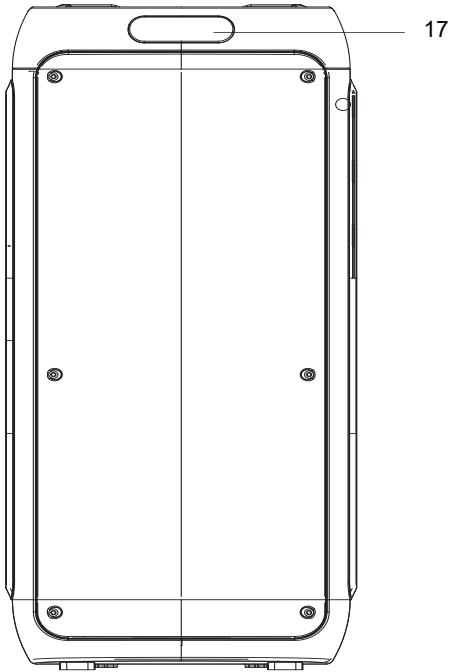
12. Next Button

13. Previous Button

14. Play/ Pause Button

15. Power Button

16. Master Volume



17. LED Display



## Power Source

The unit has a built-in lead-acid battery. Recharge it as below:

1. Charging by the supplied **AC/DC Adapter**.
2. Connect the small plug from the **AC/DC Adapter** to the **DC IN JACK** on the top control panel of the unit.
3. Connect the **AC/DC Adapter** to the wall outlet having AC 100-240V 50/60Hz.
4. During charging, the red charging indicator illuminates.

### Notes:

- The AC/DC Adapter is intended to be correctly orientated in a vertical or mount position.
- Recharge and store the unit within the temperature range of 5°C~35°C.
- Do not charge longer than 24 hours. Excessive charging or running the unit until battery fully drains will damage battery.
- If fully charged the unit can play normal music for about 8 hours at 50% volume.
- Battery life naturally shortens slowly over time.
- The rechargeable battery incorporated in this product is not user replaceable.
- If some beeps are heard when the unit is powered by the built-in battery, it indicates that the power in the battery will be used up. It is advised to connect the player to power supply immediately, or the player will be forced to stop automatically in less than 20 minutes due to lack of power.

## Operating Modes

### General Operation

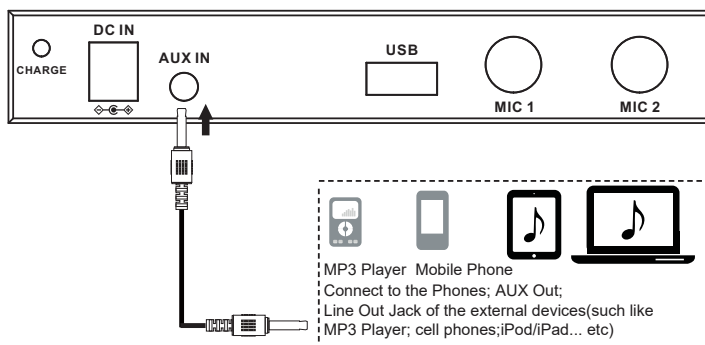
1. Connect the small plug from the **AC/DC Adapter** to the **DC IN JACK** on the top control panel of the unit.
2. Connect the **AC/DC adapter** to the unit and wall outlet having AC 100-240V 50/60Hz.
3. Press **POWER ON/OFF SWITCH** to **ON** position to turn on the unit, or **OFF** position to turn off the unit.
4. Short press the **MODE/ LIGHT** on the unit repeatedly to switch to desired mode. Long press the same button to activate or shutdown the light effect.
5. Operating the Device:
  - To play a track, press **▶||**
  - Press **▶||** again to pause the track.
  - To select the next track, short press **▶▶|**
  - Long press **▶▶|** to skip fast forward.
  - To select the previous track, short press **◀◀|**
  - Long press **◀◀|** to skip back forward.
  - Press the **TREBLE +/-TREBLE -** button to adjust the treble level. There are 16 levels available for Bass and Treble.

- Adjust the volume to a desired level using the **Master Volume** control.
- Short press the top of **Master Volume** button to select between “Master Volume” or “Microphone Volume” on the display, then turn the **Master Volume** button to adjust the desired volume.
- Press the **EQ** button to switch to desired music rhythm and the LED display will show respectively CLAS, JAZZ, POP, ROCK and FLAT.
- Short press the **Pair/ Echo** button to disconnect or reconnect the current connection. When in microphone operation, long press the same button to eliminate echo effect.

## Notes:

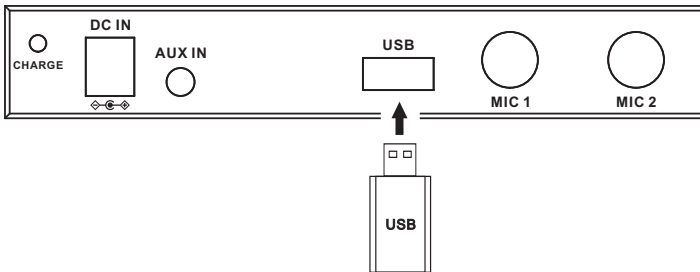
- When on the battery-operated mode, make sure the unit is fully charged and start from step 3 directly.
- When in the standby mode of AUX IN, USB, or Bluetooth operation, you can see from the front of the unit the three colors of RGB light flash, and when there is music the light flashes with the size of the music.
- When finished listening, press the Pause button to stop playing. If the unit is not used for long periods, please disconnect the power.

## AUX IN Operation



1. Power on the unit as previous procedure.
2. Insert one end of the 3.5mm AUX in cable(not included) onto the **AUX IN** Jack on the upper left of the top control panel, the other end to your playing device.
3. Short press the **MODE LIGHT** on the unit to switch to **AUX IN** mode. The LED display will show “AUX”.
4. Start to playback from your play device.
5. Adjust the volume to the desired level by rotating the **Master Volume** button.
6. When finish listening, press the **Pause** button to stop playing and disconnect your auxiliary source from the **INPUT** jack.

## USB Operation



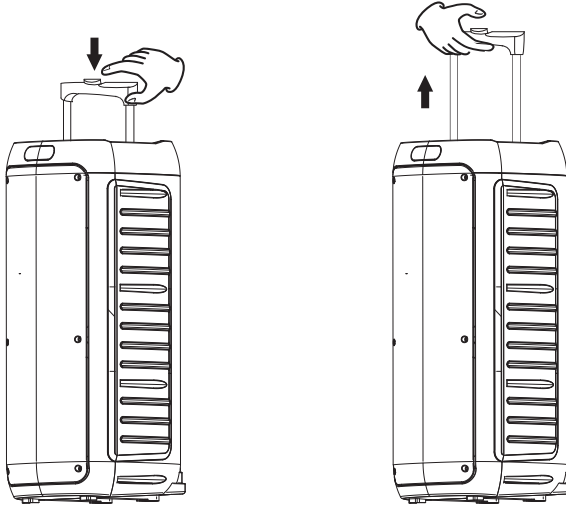
1. Power on the unit as previous procedure.
2. Insert a USB device (only with .mp3 audio files) to the **USB Port** and the LED display will show "USB". (The USB device is not included)
3. The unit will start to playback automatically.
4. Adjust the volume to the desired level by rotating the **Master Volume** button.

### Notes:

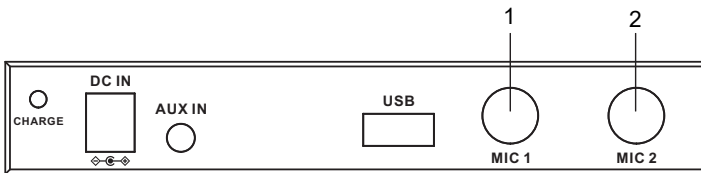
- Please be sure to press PLAY/PAUSE button and turn the unit OFF before removing the USB device to avoid damage the USB card and system.
- In case the USB device is not compatible , please try another USB memory drive.
- The USB port is not for charging purpose.
- The unit might not support all multimedia files stored in USB card. Some special tracks may be not compatible and cannot be played.

## Retractable Handle

Press the button on the top of the handle to release the lock then pull it out or return it back as illustrated as below:



## Microphone Connection



Connect a microphone(not included) into **Mic jack 1** ① as well as **Mic jack 2** ② when desired.

To adjust the volume of your Microphone, press the **Master Volume** button for once and then rotate it to desire volume level.

**Notes:**

- Do not drop or tap the Mic as damage to the Mic or speakers may occur.
- Do not twirl the microphone cord as it will cause damage to the encased wiring.

## Bluetooth Operation

1. Power on the unit as previous procedure.
2. Power on the external Bluetooth device, activate the Bluetooth and enter searching mode.
3. The pairing name of the unit "**MX-BTS800**" will appear, select it and make pairing.
4. After successful pairing, you will hear a connection tone.
5. If you want to connect another device, repeat the above steps directly.
6. Press the **PAIR** button on the top control panel to disconnect the current connection.

**Notes:**

- The unit defaults Bluetooth mode and will automatically connect with the last paired device after first time pairing (in reception range). The unit supports multi-device pairing.

## Troubleshooting Guide

Should this unit exhibit a problem, check the following before seeking service:

### **No Power**

- Power is not on; press the Power Button to turn power on.
- Confirm that the AC adapter is connected securely to the back of unit.
- Connect the unit to a different outlet.

### **No Sound**

- Master Volume is set to minimum; raise volume.
- Correct mode was not selected; select using the Mode Light button.
- If using an external device, raise the volume.

### **No sound from the microphone**

- Make sure the microphone is firmly connected to the MIC1 or MIC2 jack.
- Make sure the mic's ON/OFF switch is set to the ON position.
- Master Volume control is set to minimum; raise volume.

### **File on USB jack not playing**

- The file is corrupted; replace the file.
- The file is not in a format this unit will play.
- The connected USB device is not supported by the product.

### **The Bluetooth device cannot be paired or connected with this unit**

- The system is not in pairing mode; press the Mode Light button to restart pairing.
- The external device is too far from the unit.

**mem:rex®**