



BLUETOOTH SOUNDBAR SYSTEM



MODEL: JSB-200
INSTRUCTION MANUAL

Please read this instruction manual carefully and keep it for future reference.

IMPORTANT SAFETY INSTRUCTIONS



CAUTION
RISK OF ELECTRIC SHOCK
DO NOT OPEN



CAUTION: TO REDUCE THE RISK OF ELECTRIC SHOCK, DO NOT REMOVE COVER (OR BACK). NO USER-SERVICEABLE PARTS INSIDE. REFER SERVICING TO QUALIFIED SERVICE PERSONNEL.



The lightning flash with arrowhead symbol, within an equilateral triangle, is intended to alert user to the presence of uninsulated "dangerous voltage" within the product's enclosure, that may be of sufficient magnitude to constitute a risk of electric.



The exclamation point within an equilateral triangle is intended to alert the user to the presence of important operating and maintenance (servicing) instruction in the literature accompanying the appliance.

WARNING

USE UNDER SUPERVISION OF AN ADULT DUE TO LONG CORD

This unit has a long AC cord or other long cord that can easily be tripped on or pulled on, causing injury. Please make sure it is arranged so it will not drape over a tabletop, etc. Where it can be pulled on by children or tripped over accidentally.

FCC NOTICE:

This equipment has been tested and found to comply with the limits for a Class B digital device, pursuant to part 15 of the FCC Rules. These limits are designed to provide residential protection against harmful interference in a residential installation. This equipment generates, uses and can radiate radio frequency energy and, if not installed and used in accordance with the instructions, may cause harmful interference to radio communications.

However, there is no guarantee that interference will not occur in a particular installation. If this equipment does cause harmful interference to radio or television reception, which can be determined by turning the equipment off and on, the user is encouraged to try to correct the interference by one or more of the following measures:

- Reorient or relocate the receiving antenna.
- Increase the separation between the equipment and receiver.
- Connect the equipment into an outlet on a circuit different from that to which the receiver is connected.
- Consult the dealer or an experienced radio/TV technician for help.

FCC NOTICE:

To assure continued compliance, follow the attached installation instructions and use only shielded cables when connecting to other devices. Modifications not authorized by the manufacturer may void user's authority to operate this device.

Before using the unit, be sure to read all operating instructions carefully. Please note that these are general precautions and may not pertain to your unit. For example, this unit may not have the capability to be connected to an outdoor antenna.

1. Read these instructions

All the safety and operating instructions should be read before the product is operated.

2. Keep these instructions

The safety and operating instructions should be retained for future reference.

3. Heed all warning

All warnings on the product and in the operating instructions should be adhered to.

4. Follow all instructions

All operating and use instructions should be followed.

5. Do not use this apparatus near water

Do not use the product near water and moisture, for example: near a bathtub, washbowl, kitchen sink or laundry tub; in a wet basement; or near a swimming pool.

6. Clean only with dry cloth

Unplug this product from the wall outlet before cleaning. Do not use liquid cleaners or aerosol cleaners. Use a dry cloth for cleaning.

7. Do not block any ventilation openings. Install in accordance with the manufacturer's instructions.

Slots and openings in the cabinet and in the back or bottom are provided for ventilation, to ensure reliable operation of the product and to protect it from overheating. These openings must not be blocked or covered. The openings should never be blocked by placing the product on a bed, sofa, rug or other similar surface. This product should never be placed near or over a radiator or heat source. This product should not be placed in a built-in installation such as a bookcase or rack unless proper ventilation is provided or the manufacturer's instructions have been adhered to.

8. Do not install near any heat sources such as radiators, heat registers, stoves, or other apparatus (including amplifiers) that produce heat.

9. Do not defeat the safety purpose of the polarized or grounding-type plug. A polarized plug has two blades with one wider than the other. A grounding type plug has two blades and a third grounding prong. The wide blade or the third prong are provided for your safety. If the provided plug does not fit into your outlet, consult an electrician for replacement of the obsolete outlet.

10. Protect the power cord from being walked on or pinched particularly at plugs, convenience receptacles, and the point where they exit from the apparatus.

11. Only use attachments/accessories specified by the manufacturer.

12. Use only with the cart, stand, tripod, bracket, or table specified by the manufacturer, or sold with the apparatus. When a cart is used, use caution when moving the cart/apparatus combination to avoid injury from tip-over.



Portable Cart Warning

13. Unplug this apparatus during lightning storms or when unused for long periods of time.

14. Refer all servicing to qualified service personnel. Servicing is required when the apparatus has been damaged in any way, such as power-supply cord or plug is damaged, liquid has been spilled or objects have fallen into the apparatus, the apparatus has been exposed to rain or moisture does not operate normally, or has been dropped.

15. Power Source

The product should be operated only from the type of power source indicated on the marking label. If you are not sure of the type of power supply to your home, consult your appliance dealer or local power company. For products intended to operate from battery power, or other sources, refer to the operating instructions.

16. Power lines

An outside antenna system should not be located in the vicinity of overhead power lines or other electric light or power circuits, or where it can fall into such power lines or circuits. When installing an outside antenna system, extreme care should be taken to keep from touching such power lines or circuits as contact with them might be fatal.

17. Overloading

Do not overload wall outlets and extension cords as this can result in a risk or fire or electric shock.

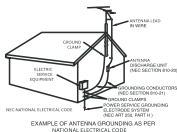
18. Object and liquid entry

Never push objects of any kind into the product through as they may touch dangerous voltage points or short out parts that could result in fire or electric shock. Never spill or spray any type of liquid on the product.

19. Outdoor antenna grounding

If an outside antenna is connected to the product, be sure the antenna system is grounded so as to provide some protection against voltage surges and built up static charges.

Section 810 of the National Electrical Code, ANSI/NFPA 70, provides information with respect to proper grounding of the mast and supporting structure, grounding of the lead-in wire to an antenna discharge product, size of grounding conductors, location of antenna discharge product, connection to grounding electrodes and requirements for the grounding electrodes.



20. Service

Do not attempt to service this product yourself as opening or removing covers may expose you to dangerous voltage or other hazards. Refer all servicing to qualified service personnel.

21. Replacement parts

When replacement parts are required, be sure the service technician uses replacement parts specified by the manufacturer or those that have the same characteristics as the original part. Unauthorized substitutions may result in fire or electric shock or other hazards.

22. Safety check

Upon completion of any service or repairs to this product ask the service technician to perform safety checks to determine that the product is in proper operating condition.

23. Wall or ceiling mounting

The product should be mounted to a wall or ceiling only as recommended by the manufacturer.

24. Damage requiring service

Unplug the product from the wall outlet and refer servicing to qualified service personnel under the following conditions:

- When the power-supply cord or plug is damaged.
- If liquid has been spilled or objects have fallen into the product.
- If the product has been exposed to rain or water.
- If the product does not operate normally by following the operating instructions. Adjust only those controls that are covered by the operating instructions, as an adjustment of other controls may result in damage and will require extensive work by a qualified technician to restore the product to its normal operation.
- If the product has been dropped or the cabinet has been damaged.
- If the product exhibits a distinct change in performance – this indicates a need for service.

25. Note to CATV system installer

This reminder is provided to call the CATV system installer's attention to Article 820-40 of the NEC that provides guidelines for proper grounding and, in particular, specifies that the cable ground shall be connected to the grounding system of the building, as close to the point of cable entry as practical.

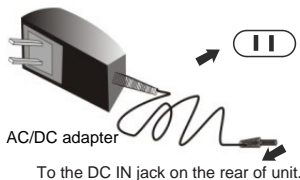
Note:

Refer all servicing to qualified service personnel. Servicing is required when the unit has been damaged in any way such as the following: the power-supply cord or plug has been damaged, liquid has been spilled into the unit, the unit has been exposed to rain or moisture, the unit has been dropped or the unit does not operate normally.

POWER SOURCE

Insert the small plug from supplied AC/DC adaptor to DC IN jack on the rear of the unit and insert the AC/DC adaptor to the wall outlet having AC 100-240V~, 50/60 Hz.

NOTE: This AC/DC adapter is intended to be correctly operated in a vented indoor wall outlet.

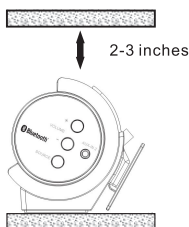


INSTALLATION

1. Placing the device on table

Ventilation

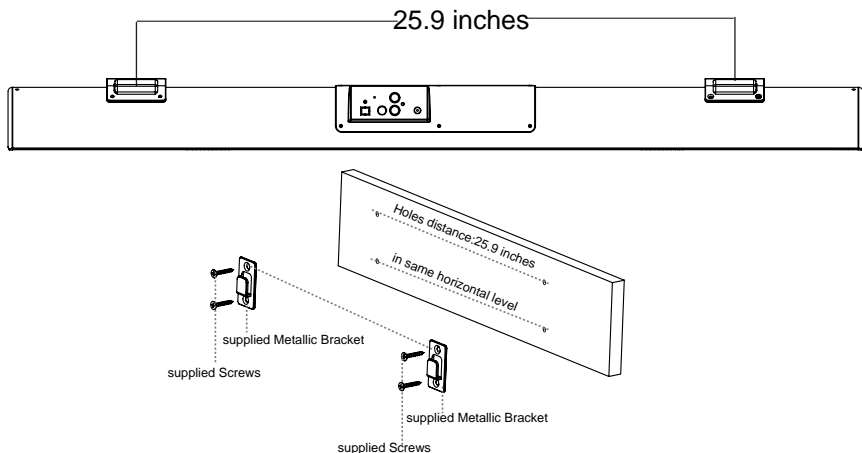
When placing the Sound Bar on an entertainment center, bookshelf, or any type of enclosed space, be sure to allow at least 2-3 inches of space around the Sound Bar for ventilation. If the Sound Bar is enclosed in a tight space, without ventilation, heat generated from the Sound Bar could produce a potential heat hazard.



MOUNTING

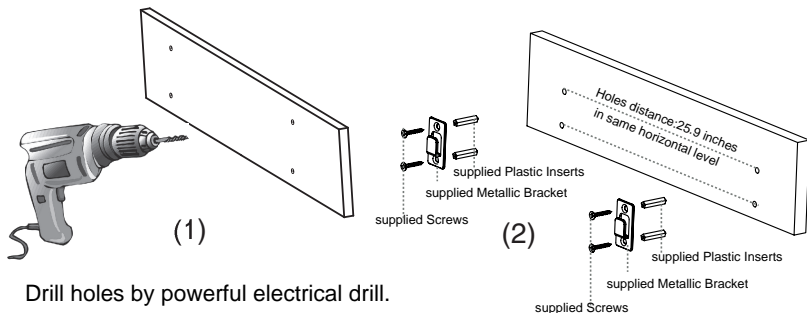
1. Mounting the device on wooden wall

We recommend having this speaker professionally mounted. By using the included wall mounting accessories, the sound bar can be mounted onto a wall.



1. Mark the position of the mounting screws on the wall using a pencil.
2. Drill the supplied screws directly into the marks that you have made on the wall with the Metallic Bracket as the figure above.
3. Put the sound bar onto the mounting brackets. Make sure they are firm and stable.

2. Mounting the device on wall

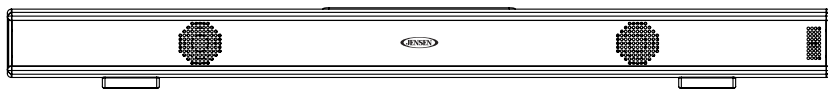


Drill holes by powerful electrical drill.

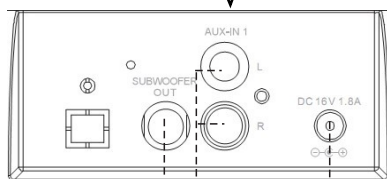
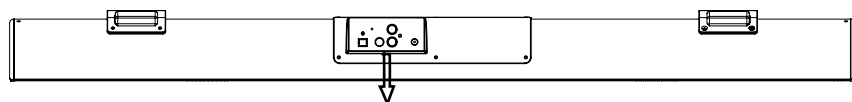
1. Mark the position of the mounting screws on the wall using a pencil.
2. Drill holes by a powerful electric drill (Not supplied) (Drill head diameter: 6.0 mm).
3. Insert the supplied plastic inserts into the holes by hammer.
4. Secure the supplied screws into the plastic inserts with the Metallic Bracket.
5. Put the sound bar onto the mounting brackets. Make sure they are firm and stable.

PRODUCT OVERVIEW

Front View



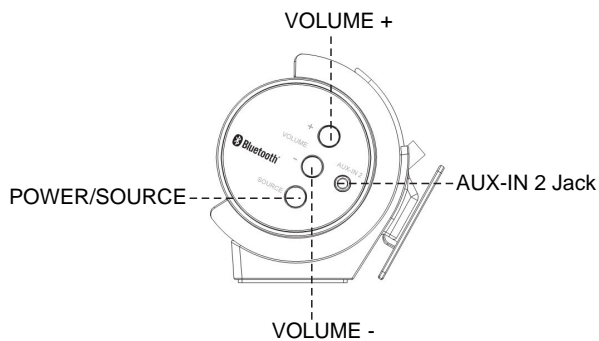
Back View



AUX-IN 1 jacks

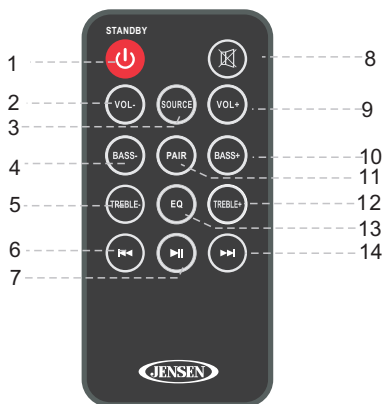
SUBWOOFER OUT jack DC IN jack

Side View



REMOTE CONTROL

1. STANDBY
2. VOL- (volume down)
3. SOURCE
4. BASS-
5. TREBLE-
6. ⏮
7. ▶|| (play/pause)
8. 🔇 (mute)
9. VOL+ (volume up)
10. BASS +
11. PAIR
12. TREBLE +
13. EQ (Equalizer)
14. ▶▶



BATTERY INSTALLATION

- Before installation

Remove and discard the insulation tab. Out of the box the Remote Control has a battery and will be usable after the tab is removed.

-Replace battery for the remote control

1. Push and slide out the battery holder as Figure 1 below.
2. Replace the battery with a new CR2025 button cell with the polarity (+) side upward.
3. Slide into the battery holder.



BATTERY PRECAUTIONS

- Never recharge the batteries, apply heat to them or take them apart.
- Battery shall not be exposed to excessive heat such as sunshine, fire or the like.
- Do not throw the batteries in fire!
- Attention should be drawn to the environmental aspects of battery disposal.
- If the remote control is not going to be used for a long time, remove the battery to avoid damage caused by battery leakage corrosion.

POWER CONTROL

- To turn the unit on

- Connect the supplied AC/DC adapter.
- Press STANDBY button to turn on the unit.

- To turn the unit off

- Press STANDBY button on the remote control or hold STANDBY button in the right side of the unit.

NOTE:

If the unit is not used for a long period of time, disconnect the AC/DC adapter.

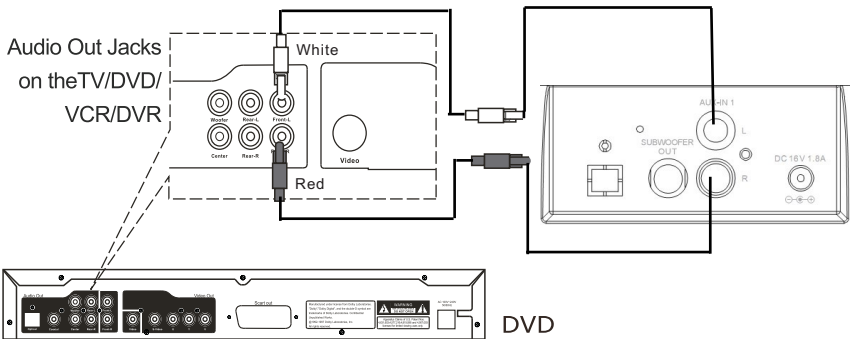
AUX-IN 1 CONNECTION

- RCA AUX IN sources may include

- TV/DVD/VCR

- RCA AUX IN connection

1. Connect the RCA audio cable (supplied) to the audio output jack on DVD player and AUX 1 or AUX 2 jack on the rear of DVD.
2. Press SOURCE button repeatedly until the indicator turns green.



-During playback

- Press MUTE button to turn off the sound. Press again to resume the sound.
- Press VOLUME +/- buttons to adjust the volume level.
- Press BASS +/- buttons to adjust bass level.
- Press TREBLE +/- buttons to adjust treble level.
- Press EQ button to switch between JAZZ/POP/CLAS/ROCK/NORM.

AUX-IN 2 CONNECTION

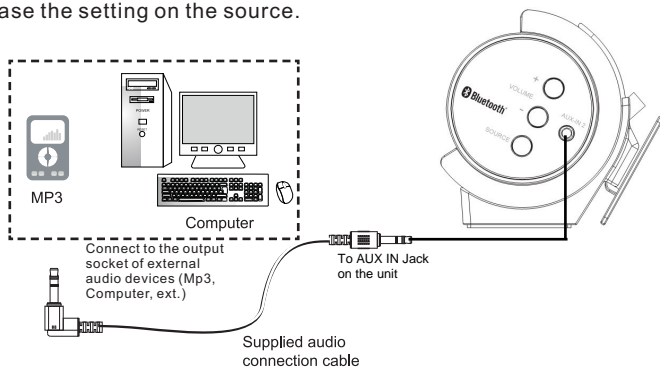
- AUX IN source may include:

- Personal audio players
- Personal computers or laptops

- AUX IN connection:

1. Connect a stereo 3.5mm jack cable (supplied) between the headphone or LINE/Audio output of the personal audio player and the AUX-IN 2 jack on the right side of the unit.
2. Power on the unit and press SOURCE button repeatedly until the indicator turns orange. Set your personal audio player/computer to play.

NOTE: If there is no sound or if the volume is not loud enough, you may increase the setting on the source.



-During playback

- Press MUTE button to turn off the sound. Press again to resume the sound.
- Press VOLUME +/- buttons to adjust the volume level.
- Press BASS +/- buttons to adjust bass level.
- Press TREBLE +/- buttons to adjust treble level.
- Press EQ button to switch between JAZZ/POP/CLAS/ROCK/NORM.

SUBWOOFER CONNECTION

Subwoofer connection source may include:

Amplifiers and other devices with audio input jack

Connect the RCA cable with the subwoofer out jack, and another end of RCA cable to the audio in jack of amplifiers or other devices.

BLUETOOTH

-Pairing

1. Press SOURCE button repeatedly to enter BT mode. The indicator is blue.
2. Turn off the Bluetooth functionality of other devices that are paired with your unit. Only one device can be used with the Bluetooth function at a time.
3. Turn on Bluetooth functionality on your Bluetooth device. Typically, Bluetooth controls are found on the device's tools or settings menu (see your user manual). Turn on Bluetooth connectivity and make your device "discoverable".
4. Choose "add a new Bluetooth device" or "setup Bluetooth device" on your device. It will start to search. Once " JSB-200 " shows on your device, select it. If your device prompts you for a pass code, please enter "0000". If the pairing attempt fails or times out, please start pairing procedure again.
5. After your device and the " JSB-200 " have connected each other, a sound can be heard.

NOTE:

The unit will automatically reconnect the last paired device when Bluetooth mode is reselected from other mode. If for some reason the Bluetooth connection is lost due to external factors or will not auto reconnect, you must clear the " JSB-200 " from your Blue Tooth device list and begin the pairing process again.

Press PAIR button on remote control to disconnect the current connection of the unit with the external device.

-During playback

Make sure the Bluetooth connection between the unit and the device is activated.

- Press ►| button to suspend momentarily the playing track. Press again to resume playing.
- Press ►► button to skip forward to the next track and ◀◀ button to skip backward to the previous track.
- Press MUTE button to turn off the sound. Press again to resume the sound.
- Press VOLUME +/- buttons to adjust the volume level.
- Press BASS +/- buttons to adjust bass level.
- Press TREBLE +/- buttons to adjust treble level.
- Press EQ button to switch between JAZZ/POP/CLAS/ROCK/NORM.

TROUBLESHOOTING GUIDE

Check the followings before requesting service		
SYMPTOM	POSSIBLE CAUSE	POSSIBLE SOLUTION
No power	AC plug not connected to the wall outlet	Plug to the wall outlet.
No sound	Volume in minimum position	Raise volume level by pressing the VOL (Volume) + button
	The connected device is not in playback mode	Play the music/movie in the connected device as usual and make sure the volume level of it is in high level
	Input source incorrect	Press the SOURCE button repeatedly to set the input source to the desired mode
Sound distortion	Bass level of the connected device too high	Reduce the bass level of the connected device
	Volume level too high	Reduce the volume level by pressing the VOL (Volume) - button
Remote not working	The battery is consumed	Replace with new battery
Bluetooth reception failure	The external device is far from the unit	Put the external BT device close to the unit
	Have not paired	Pair both unit as BT pairing page

GENERAL SPECIFICATIONS

Power source of the remote control.....	DC 3V, 1x CR 2025 button cell
Output of the power adapter.....	DC 16V,1.8A
Audio output.....	2x10 W
Power consumption.....	25 W
Bluetooth working range.....	10M
Subwoofer frequency.....	80-150Hz
Subwoofer level.....	1V (max)

ACCESSORIES

- 1 x Instruction manual
- 1 x Remote control
- 1 x CR 2025 button cell (Already installed in the remote control)
- 1 x Stereo audio connection cable with 3.5mm stereo plug
- 1 x RCA audio cable
- 1 x Adapter
- 4 x Screws (For wall mounting)
- 4 x Wall plugs (For wall mounting)
- 2 x Metal brackets (For wall mounting)

FCC STATEMENT

1. This device complies with Part 15 of the FCC Rules. Operation is subject to the following two conditions:

- (1) This device may not cause harmful interference.
- (2) This device must accept any interference received, including interference that may cause undesired operation.

Changes or modifications not expressly approved by the party responsible for compliance could void the user's authority to operate the equipment.

NOTE: This equipment has been tested and found to comply with the limits for a Class B digital device, pursuant to Part 15 of the FCC Rules. These limits are designed to provide reasonable protection against harmful interference in a residential installation.

This equipment generates uses and can radiate radio frequency energy and, if not installed and used in accordance with the instructions, may cause harmful interference to radio communications. However, there is no guarantee that interference will not occur in a particular installation. If this equipment does cause harmful interference to radio or television reception, which can be determined by turning the equipment off and on, the user is encouraged to try to correct the interference by one or more of the following measures:

- Reorient or relocate the receiving antenna.

- Increase the separation between the equipment and receiver.

- Connect the equipment into an outlet on a circuit different from that to which the receiver is connected.

- Consult the dealer or an experienced radio/TV technician for help.