



CRAIG®

**TOWER SPEAKER SYSTEM WITH
Bluetooth® Wireless Technology**


Owner's Manual



PLEASE READ BEFORE OPERATING THIS EQUIPMENT.

Model: CHT915



IMPORTANT SAFETY INSTRUCTIONS

	CAUTION RISK OF ELECTRIC SHOCK DO NOT OPEN	
CAUTION: TO REDUCE THE RISK OF ELECTRIC SHOCK, DO NOT REMOVE COVER (OR BACK). NO USER-SERVICEABLE PARTS INSIDE. REFER SERVICING TO QUALIFIED SERVICE PERSONNEL.		

	The lightning flash with arrowhead symbol, within an equilateral triangle, is intended to alert user to the presence of uninsulated "dangerous voltage" within the product's enclosure, that may be of sufficient magnitude to constitute a risk of electric.
	The exclamation point within an equilateral triangle is intended to alert the user to the presence of important operating and maintenance (servicing) instruction in the literature accompanying the appliance.

<p style="text-align: center;">WARNING</p> <p style="text-align: center;">USE UNDER SUPERVISION OF AN ADULT DUE TO LONG CORD</p> <p style="text-align: center;">This unit has a long cord that can easily be tripped on or pulled on, causing injury. Please make sure it is arranged so it will not drape over a tabletop, etc. Where it can be pulled on by children or tripped over accidentally.</p>
--

<p>FCC NOTICE: This equipment has been tested and found to comply with the limits for a Class B digital device, pursuant to part 15 of the FCC Rules. These limits are designed to provide residential protection against harmful interference in a residential installation. This equipment generates, uses and can radiate radio frequency energy and, if not installed and used in accordance with the instructions, may cause harmful interference to radio communications. However, there is no guarantee that interference will not occur in a particular installation. If this equipment does cause harmful interference to radio or television reception, which can be determined by turning the equipment off and on, the user is encouraged to try to correct the interference by one or more of the following measures:</p> <ul style="list-style-type: none">• Reorient or relocate the receiving antenna.• Increase the separation between the equipment and receiver.• Connect the equipment into an outlet on a circuit different from that to which the receiver is connected.• Consult the dealer or an experienced radio/TV technician for help. <p>FCC NOTICE: To assure continued compliance, follow the attached installation instructions and use only shielded cables when connecting to other devices. Modifications not authorized by the manufacturer may void user's authority to operate this device.</p>
--

Before using the unit, be sure to read all operating instructions carefully. Please note that these are general precautions and may not pertain to your unit. For example, this unit may not have the capability to be connected to an outdoor antenna.

- 1. Read these instructions**
All the safety and operating instructions should be read before the product is operated.
- 2. Keep these instructions**
The safety and operating instructions should be retained for future reference.

- 3. Heed all warning**
All warnings on the product and in the operating instructions should be adhered to.
- 4. Follow all instructions**
All operating and use instructions should be followed.
- 5. Do not use this apparatus near water**
Do not use the product near water and moisture, for example: near a bathtub, washbowl, kitchen sink or laundry tub; in a wet basement; or near a swimming pool.
- 6. Clean only with dry cloth**
Unplug this product from the wall outlet before cleaning. Do not use liquid cleaners or aerosol cleaners. Use a dry cloth for cleaning.
- 7. Do not block any ventilation openings. Install in accordance with the manufacturer's instructions.**
Slots and openings in the cabinet and in the back or bottom are provided for ventilation, to ensure reliable operation of the product and to protect it from overheating. These openings must not be blocked or covered. The openings should never be blocked by placing the product on a bed, sofa, rug or other similar surface. This product should never be placed near or over a radiator or heat source. This product should not be placed in a built-in installation such as a bookcase or rack unless proper ventilation is provided or the manufacturer's instructions have been adhered to.
- 8. Do not install near any heat sources such as radiators, heat registers, stoves, or other apparatus (including amplifiers) that produce heat.**
- 9. Do not defeat the safety purpose of the polarized or grounding-type plug. A polarized plug has two blades with one wider than the other. A grounding type plug has two blades and a third grounding prong, the wide blade or the third prong are provided for your safety. If the provided plug does not fit into your outlet, consult an electrician for replacement of the obsolete outlet.**
- 10. Protect the power cord from being walked on or pinched particularly at plugs, convenience receptacles, and the point where they exit from the apparatus.**
- 11. Only use attachments/accessories specified by the manufacturer.**

12. Use only with the cart, stand, tripod, bracket, or table specified by the manufacturer, or sold with the apparatus. When a cart is used, use caution when moving the cart/apparatus combination to avoid injury from tip-over.



13. Unplug this apparatus during lightning storms or when unused for long periods of time.
14. Refer all servicing to qualified service personnel. Servicing is required when the apparatus has been damaged in any way, such as power-supply cord or plug is damaged, liquid has been spilled or objects have fallen into the apparatus, the apparatus has been exposed to rain or moisture does not operate normally, or has been dropped.

15. **Power Source**
The product should be operated only from the type of power source indicated on the marking label. If you are not sure of the type of power supply to your home, consult your appliance dealer or local power company. For products intended to operate from battery power, or other sources, refer to the operating instructions.

16. **Power lines**
An outside antenna system should not be located in the vicinity of overhead power lines or other electric light or power circuits, or where it can fall into such power lines or circuits. When installing an outside antenna system, extreme care should be taken to keep from touching such power lines or circuits as contact with them might be fatal.

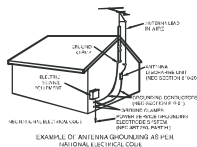
17. **Overloading**
Do not overload wall outlets and extension cords as this can result in a risk or fire or electric shock.

18. **Object and liquid entry**
Never push objects of any kind into the product through as they may touch dangerous voltage points or short out parts that could result in fire or electric shock. Never spill or spray any type of liquid on the product.

19. **Outdoor antenna grounding**

If an outside antenna is connected to the product, be sure the antenna system is grounded so as to provide some protection against voltage surges and built up static charges.

Section 810 of the National Electrical Code, ANSI/NFPA 70, provides information with respect to proper grounding of the mast and supporting structure, grounding of the lead-in wire to an antenna discharge product, size of grounding conductors, location of antenna discharge product, connection to grounding electrodes and requirements for the grounding electrodes.



20. **Service**
Do not attempt to service this product yourself as opening or removing covers may expose you to dangerous voltage or other hazards. Refer all servicing to qualified service personnel.

21. **Replacement parts**
When replacement parts are required, be sure the service technician uses replacement parts specified by the manufacturer or those that have the same characteristics as the original part. Unauthorized substitutions may result in fire or electric shock or other hazards.

22. **Safety check**
Upon completion of any service or repairs to this product ask the service technician to perform safety checks to determine that the product is in proper operating condition.

23. **Wall or ceiling mounting**
The product should be mounted to a wall or ceiling only as recommended by the manufacturer.

24. **Damage requiring service**
Unplug the product from the wall outlet and refer servicing to qualified service personnel under the following conditions:
- When the power-supply cord or plug is damaged.
 - If liquid has been spilled or objects have fallen into the product.
 - If the product has been exposed to rain or water.
 - If the product does not operate normally by following the operating instructions. Adjust only those controls that are covered by the operating instructions, as an adjustment of other controls may result in damage and will require extensive work by a qualified technician to restore the product to its normal operation.
 - If the product has been dropped or the cabinet has been damaged.
 - When the product exhibits a distinct change in performance – this indicates a need for service.

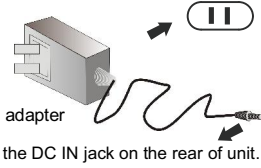
25. **Note to CATV system installer**
This reminder is provided to call the CATV system installer's attention to Article 820-40 of the NEC that provides guidelines for proper grounding and, in particular, specifies that the cable ground shall be connected to the grounding system of the building, as close to the point of cable entry as practical.

Note:
Refer all servicing to qualified service personnel. Servicing is required when the unit has been damaged in any way such as the following: the power-supply cord or plug has been damaged, liquid has been spilled into the unit, the unit has been exposed to rain or moisture, the unit has been dropped or the unit does not operate normally.

POWER SOURCE

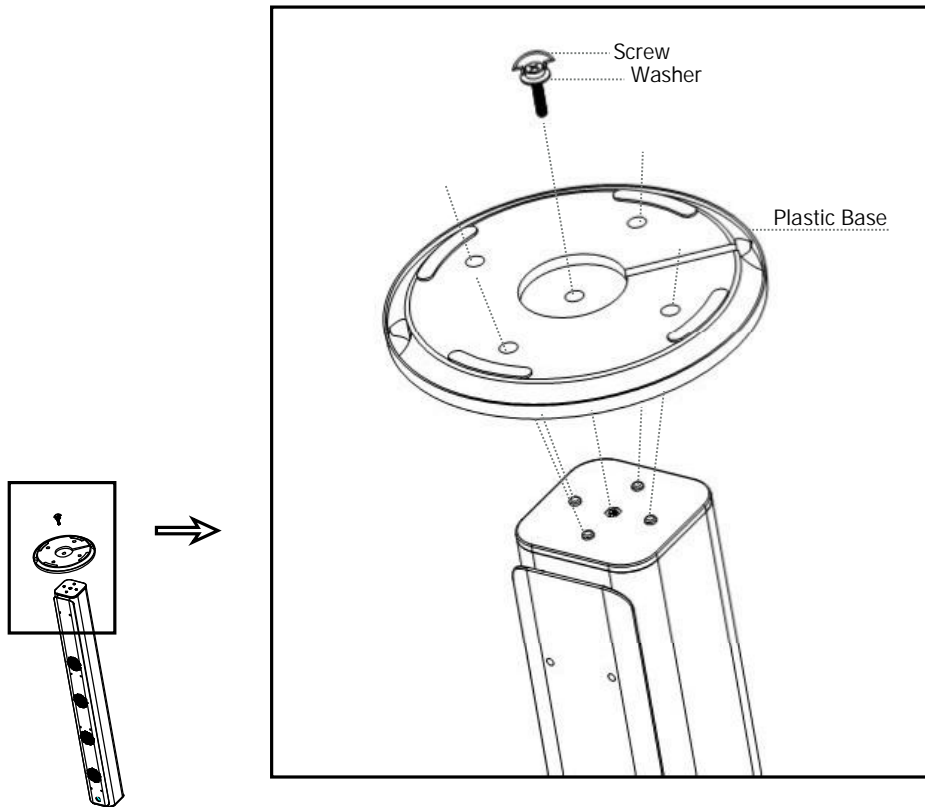
Insert the small plug from supplied AC/DC adaptor to DC IN jack on the rear of the unit and insert the AC/DC adaptor to the wall outlet having AC 100-240~;50/60 Hz.

NOTE: This AC/DC adapter is intended to be correctly operated in a vented indoor wall outlet.



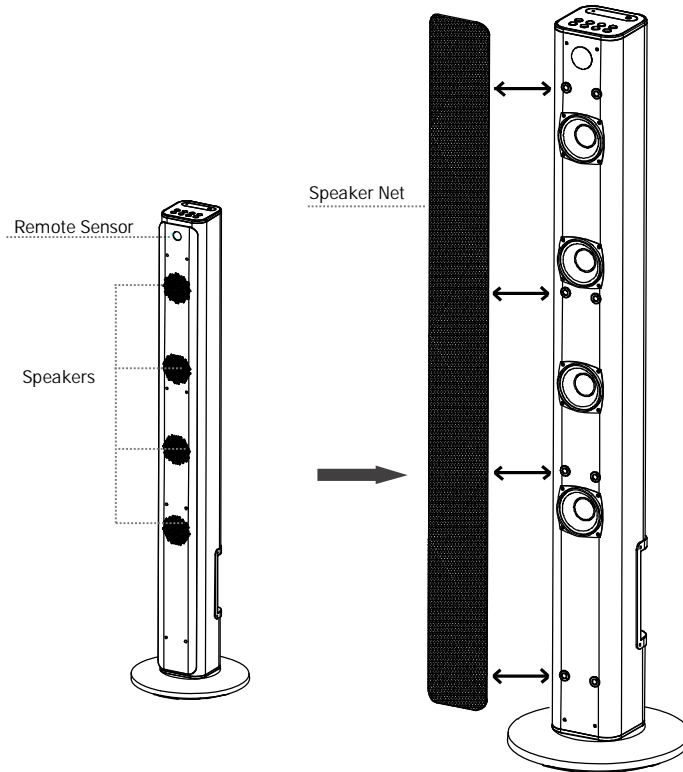
INSTALLATION

Placing on Floor in Vertical



Assemble the plastic base to the main body with the supplied screw and washer as the figure above.

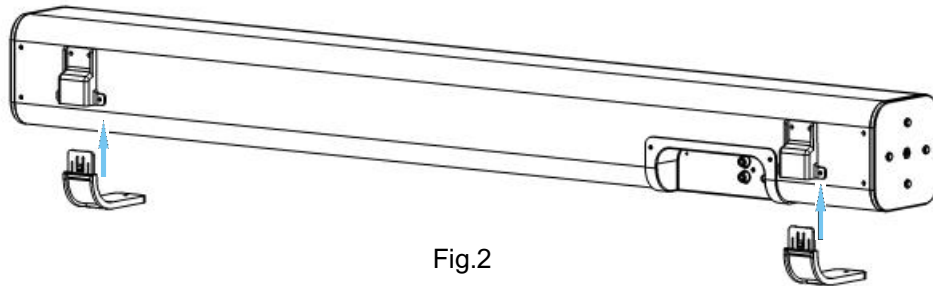
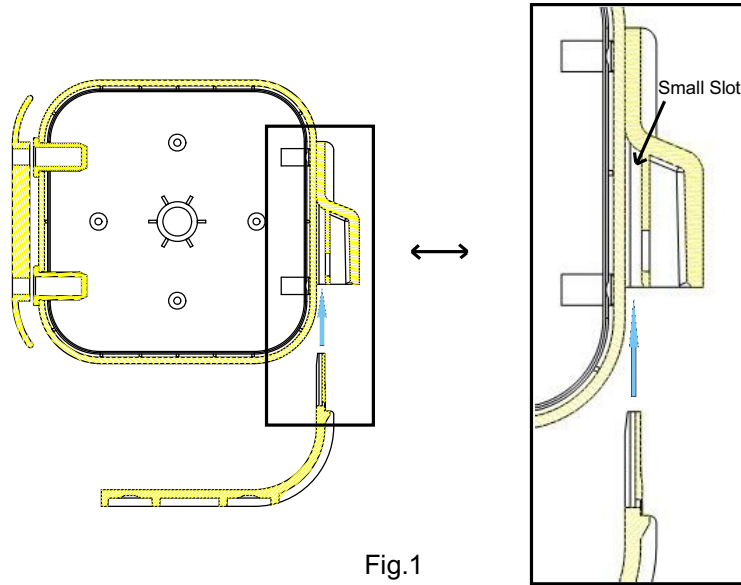
Placing on Floor in Vertical (Continued):



The Speaker Net can be take out and reassembled as the figure above.

Placing on Table in Horizontal

To place the unit on a flat surface such like table, insert the 2 (two) supplied Plastic Brackets into the small slot of the holder on the rear of unit as the Fig.1 below.

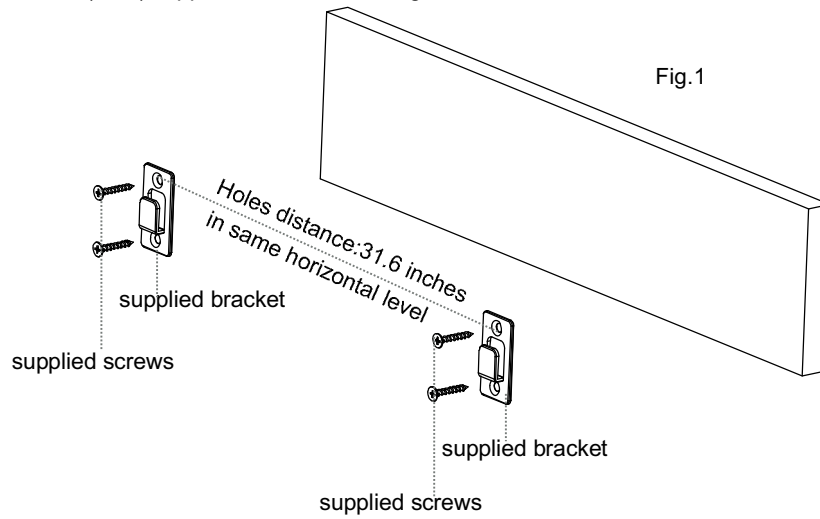


Insert the 2 (Two) supplied Plastic Stands into the inner small slot as the Fig. 2 above.

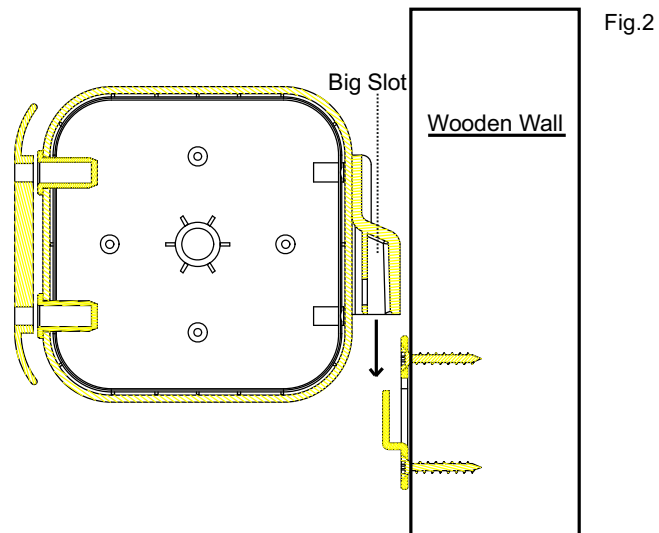
Wall Mount

1. Wall mount the unit to the wooden wall

A : Mounted the 2 (Two) supplied Metallic Brackets on the wooden wall by the 4 (Four) supplied screws as the Fig.1 below:



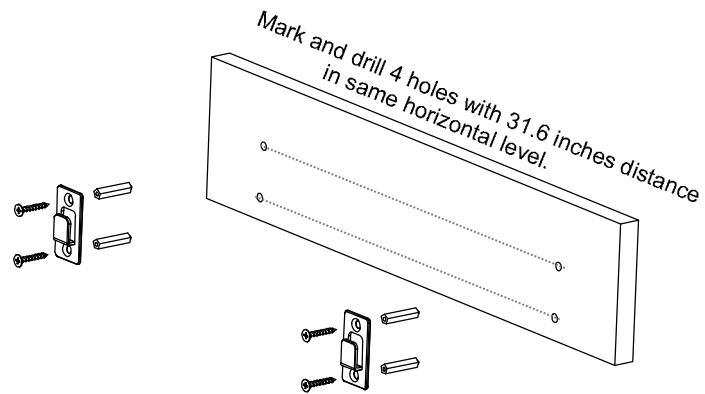
B : Put the sound bar onto the Metallic Brackets as Fig.2 below.
Make sure they are firm and stable.



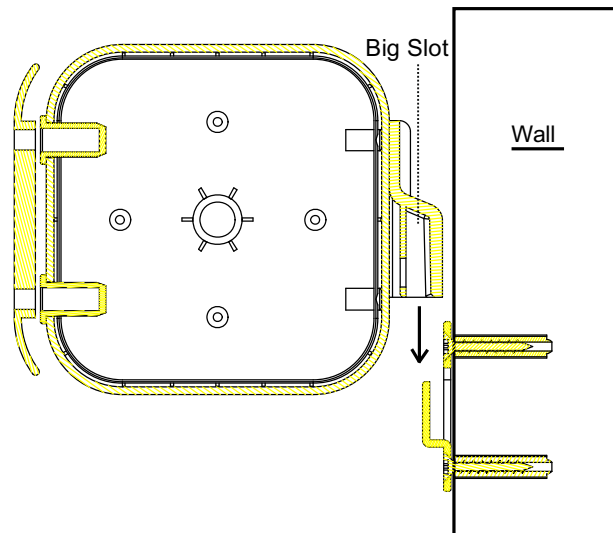
INSTALLATION

Wall Mount (Continued):

2. Mount on Wall

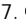
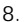
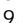
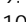


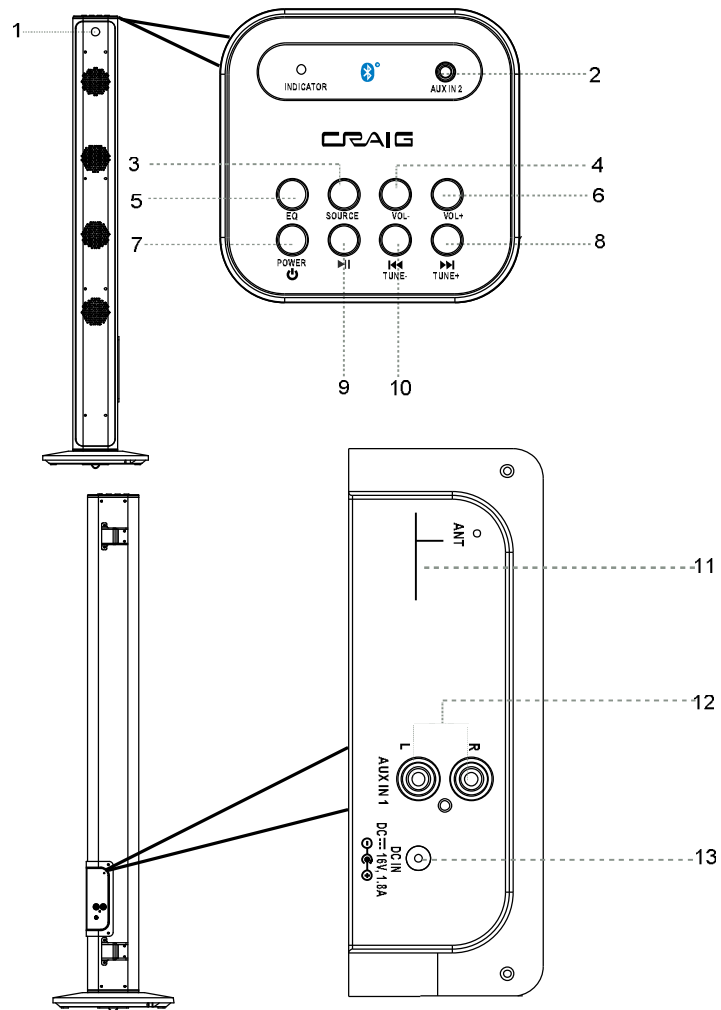
- Mark the position of the mounting holes on the wall using a pencil.
- Drill appropriate holes by powerful electric drill on wall.
- Insert the supplied plastic inserts into the holes by hammer.
- Mounted the supplied Metallic Brackets to the holes with supplied screws.
- Put the unit to the Metallic Brackets as the figure below.



LOCATION OF CONTROLS

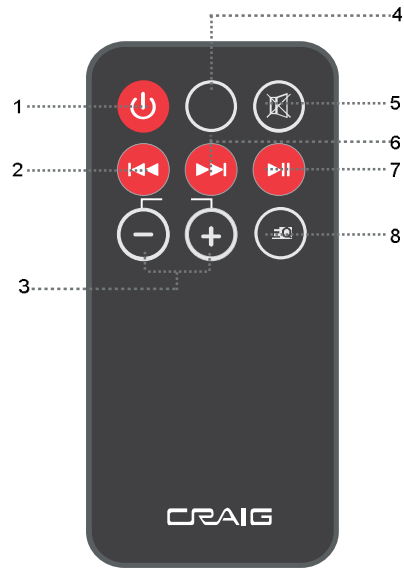
MAIN UNIT

- | | |
|------------------------------|--|
| 1. INDICATOR | 7.  POWER button |
| 2. AUX IN 2 jack | 8.  / TUNE+ button |
| 3. SOURCE button | 9.  (Play/Pause) button |
| 4. VOL- (Volume Down) button | 10.  / TUNE- button |
| 5. EQ (Equalizer) button | 11. FM Antenna |
| 6. VOL+ (Volume Up) button | 12. AUX IN 1 jacks |
| | 13. DC IN jack |



LOCATION OF CONTROLS

REMOTE CONTROL



- | | |
|----------------------------|--------------------------|
| 1. POWER button | 5. (Mute) button |
| 2. / TUNE - button | 6. / TUNE+ button |
| 3. VOL (Volume)+/- buttons | 7. (Play/Pause) button |
| 4. SOURCE button | 8. EQ (Equalizer) button |