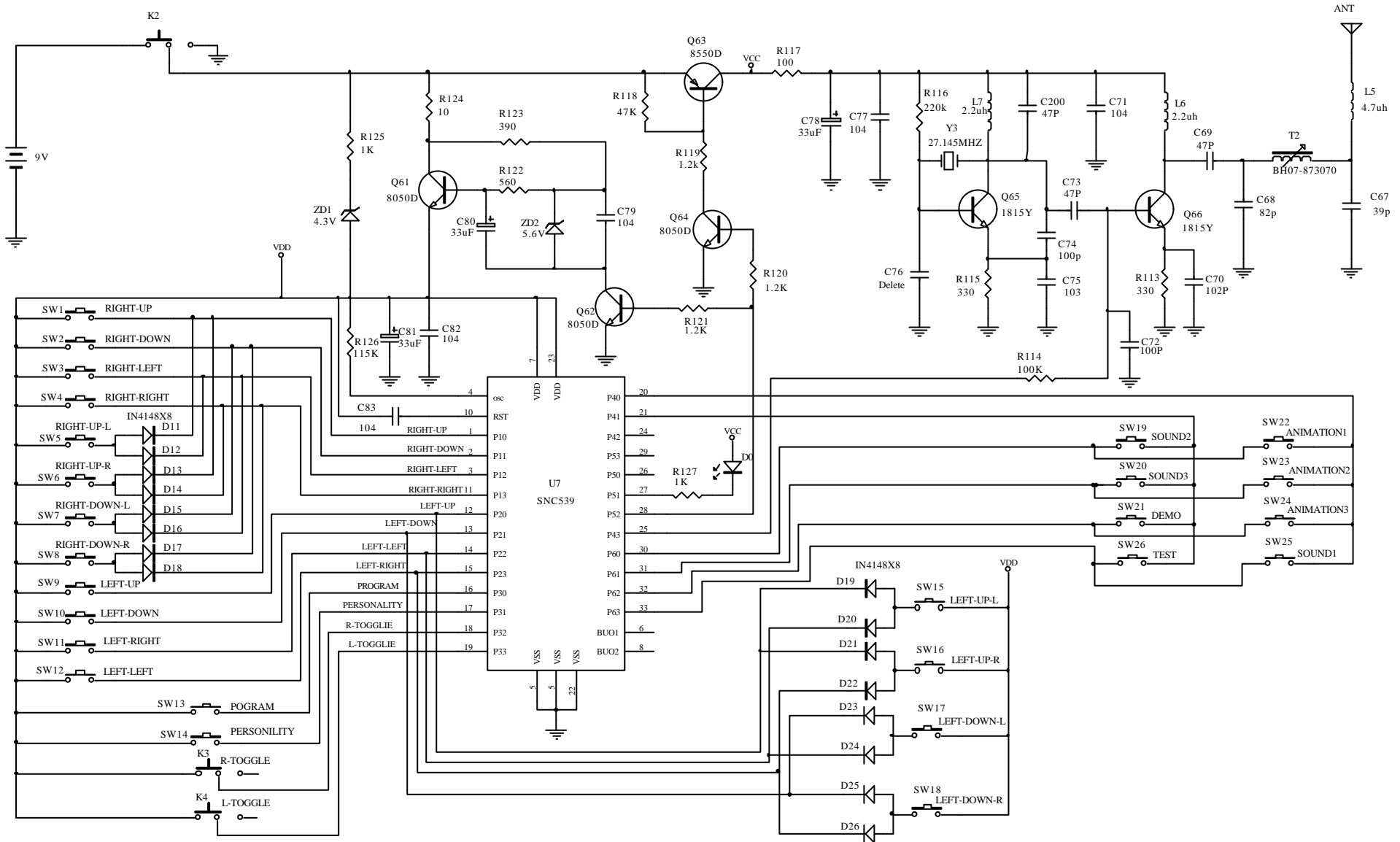


Schematic Diagram

26.96-27.28 MHz



Early Light Industrial Co. Ltd.	
Project: Chimp Head	Model No. : #9001
Item: Remote Control Circuit Diagram (27.145HMz)	
Drawing No. : EL-9001-SCH-01	Rev: 00
Drawn By: Feng Hong Wei	Date: 6-sep-2005
Checked By: S.W.Mok	Sheet 1 of 1