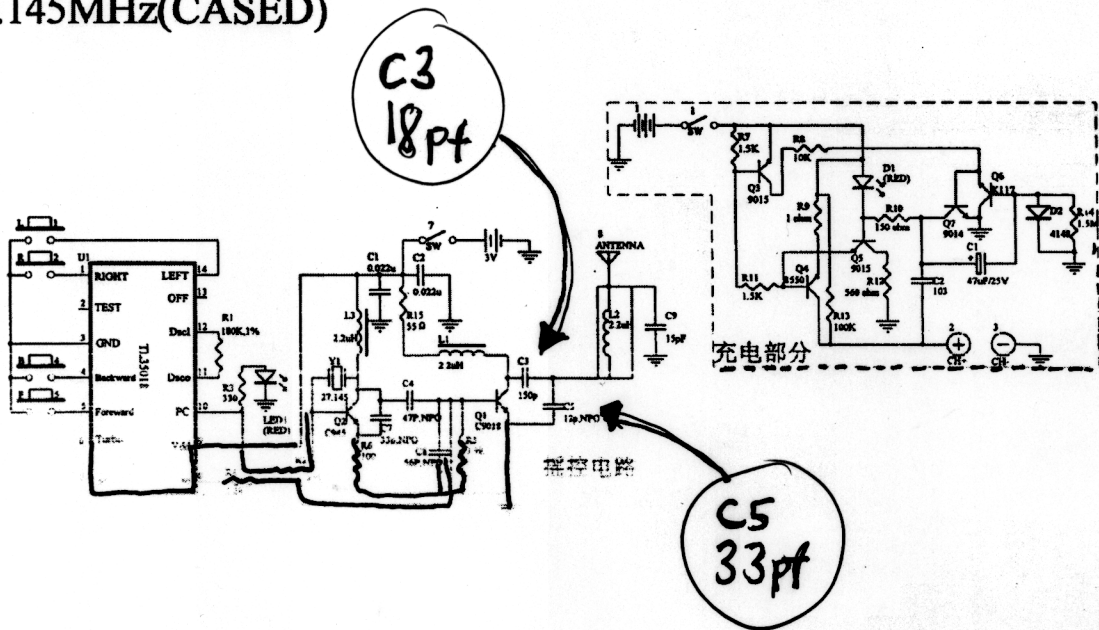


MODIFIED SCAMMER

27.145MHz(CASED)



Title		
Mini Bug Remote Circuit		
Size	Number	Revision
A4	27MHz	
Date	20-Jun-2003	Sheet of
File	C:\Documents\My Documents\Projects\Mini Bug Remote	