

	Y101	L102	C108	C103	C104	L103	C106	T101	C107	R106
27MHz	27.145M			22pF	22pF	5.6uH	220pF	13T BH07-873070	20pF	220
40MHz	40.685M	0.56uH	0.1uF	33pF	22pF	4.7uH	56pF	9T BH07-873381	27pF	100
48MHz	48.860M	0.47uH	0.1uF	33pF	32pF	3.3uH	47pF	9T BH07-873381	27pF	220

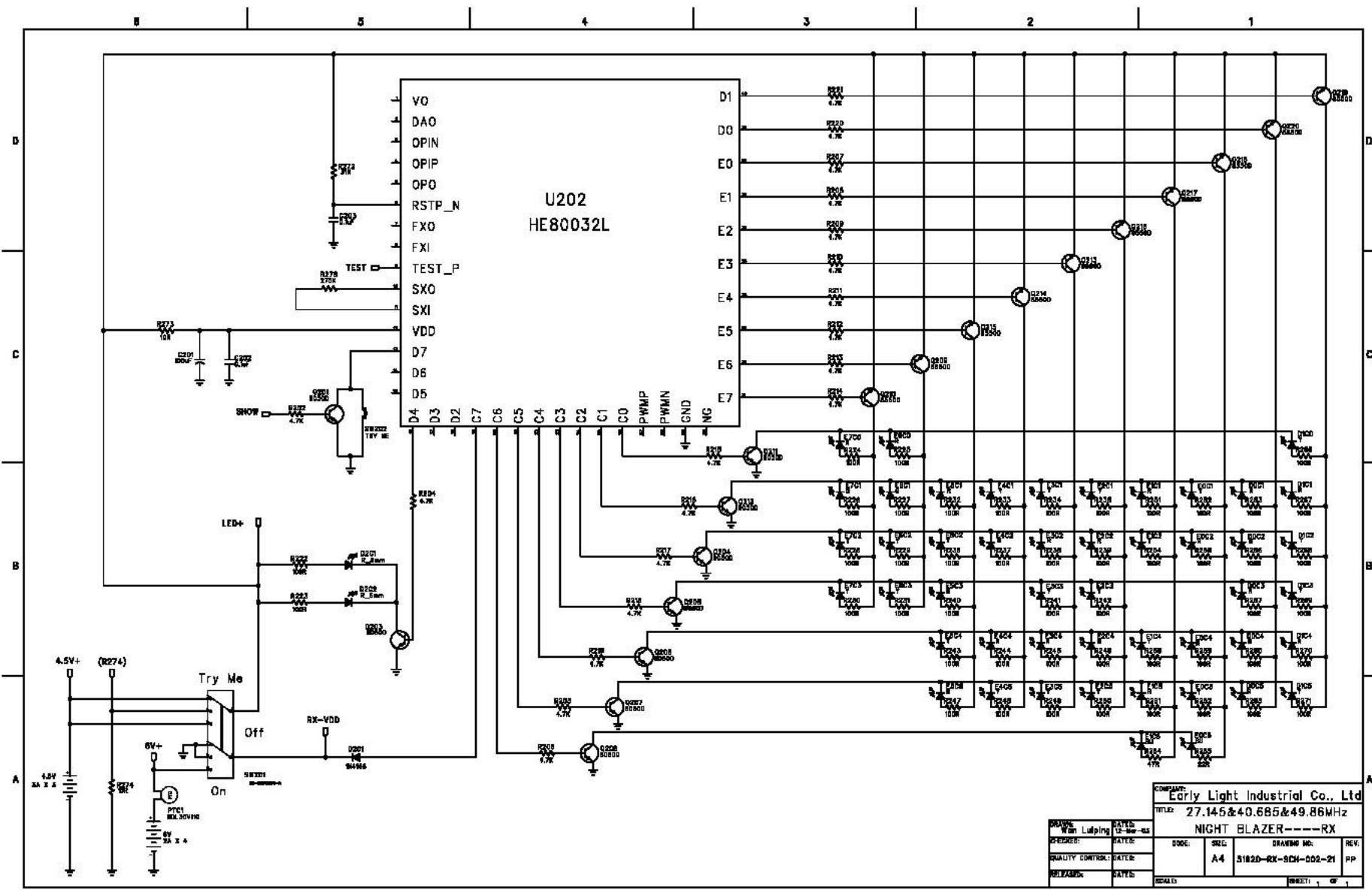
DRAWN: Wan Luiping	DATED: 07-Apr-2003
CHECKED:	DATED:
QUALITY CONTROL:	DATED:
RELEASED:	DATED:

BH07-873380 0.72uH

COMPANY:			
EARLY LIGHT INDUSTRIAL Co., Ltd.			
TITLE:			
27.145&40.685&49.86MHz Night Blazer LED ---TX			
CODE:	SIZE:	DRAWING NO:	REV:
	A4	51620-TX-SCH-001-A24	PP
SCALE:		SHEET: 1 OF 1	

A

A



COMPANY:		Early Light Industrial Co., Ltd			
TITLE:		27.145&40.685&49.86MHz			
NIGHT BLAZER---RX					
DESIGNED:	DATE:	DOC:	SER:	DRAWING NO:	REV:
W. Lupting	12-26-03		A4	S182D-RX-SCH-002-21	PP
QUALITY CONTROL:	DATE:				
RELEASED:	DATE:				
SCALE:		SHEET 1 OF 1			