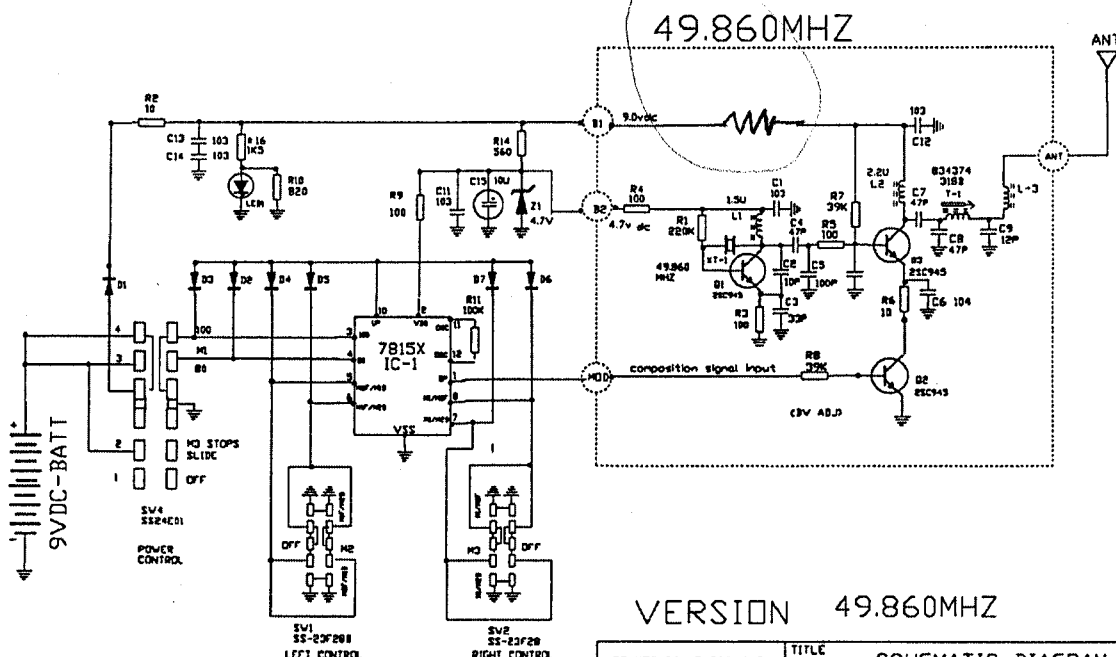


5.6K Ω RESISTOR

VERSION 49.860MHZ

ISSUE	CHANGE DETAIL	DATE	CHECKED	APP.



VERSION 49.860MHZ

DO NOT SCALE DRAWING	TITLE		QTY	UNIT
UNLESS OTHERWISE SPECIFIC DEC 30.1 ANGLE 30°	SCHEMATIC DIAGRAM			
GENERAL DRAFT	MATERIAL	VERSION	FINISH	SCALE
UNLESS OTHERWISE SPECIFIC WALL THICKNESS	MODEL	SECTION -	PART NO.	
	SKY SCREAMER	TX	412-341T01-049 A	
	DRAWN	CHECKED	APPROVED	SIZE
	B.LEE		J.LAU	A4
	11/2/203		11/02/2003	

Dynamic industries co. ltd.