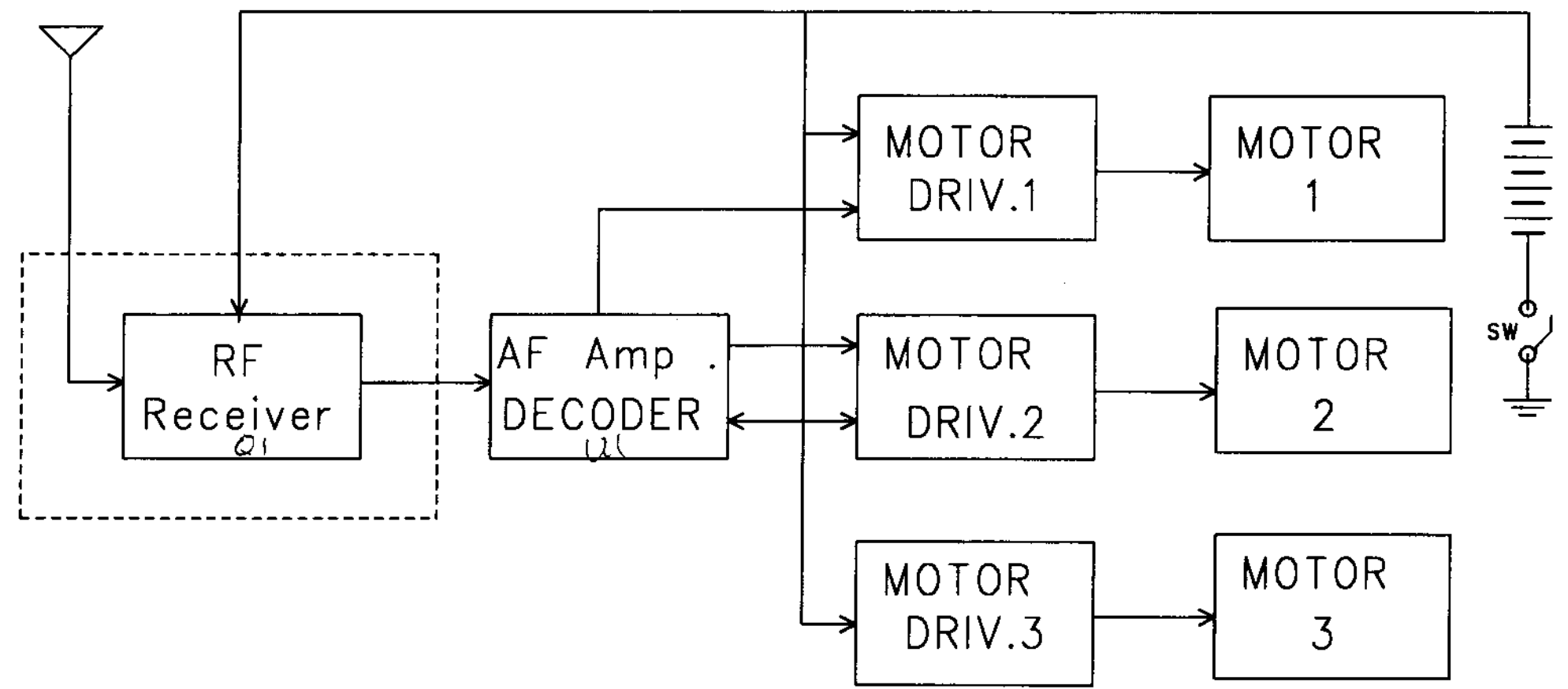


W05102RX
 FCC 49.860MHz BLOCK DIAGRAM



Circuit Description
 The circuit is a 49MHz Receiver For toy R/C Sub
 1)RF1 is a super receiver
 2)U1 is a AF amperlifier and decoder
 3)Q9~Q20 is motors driver