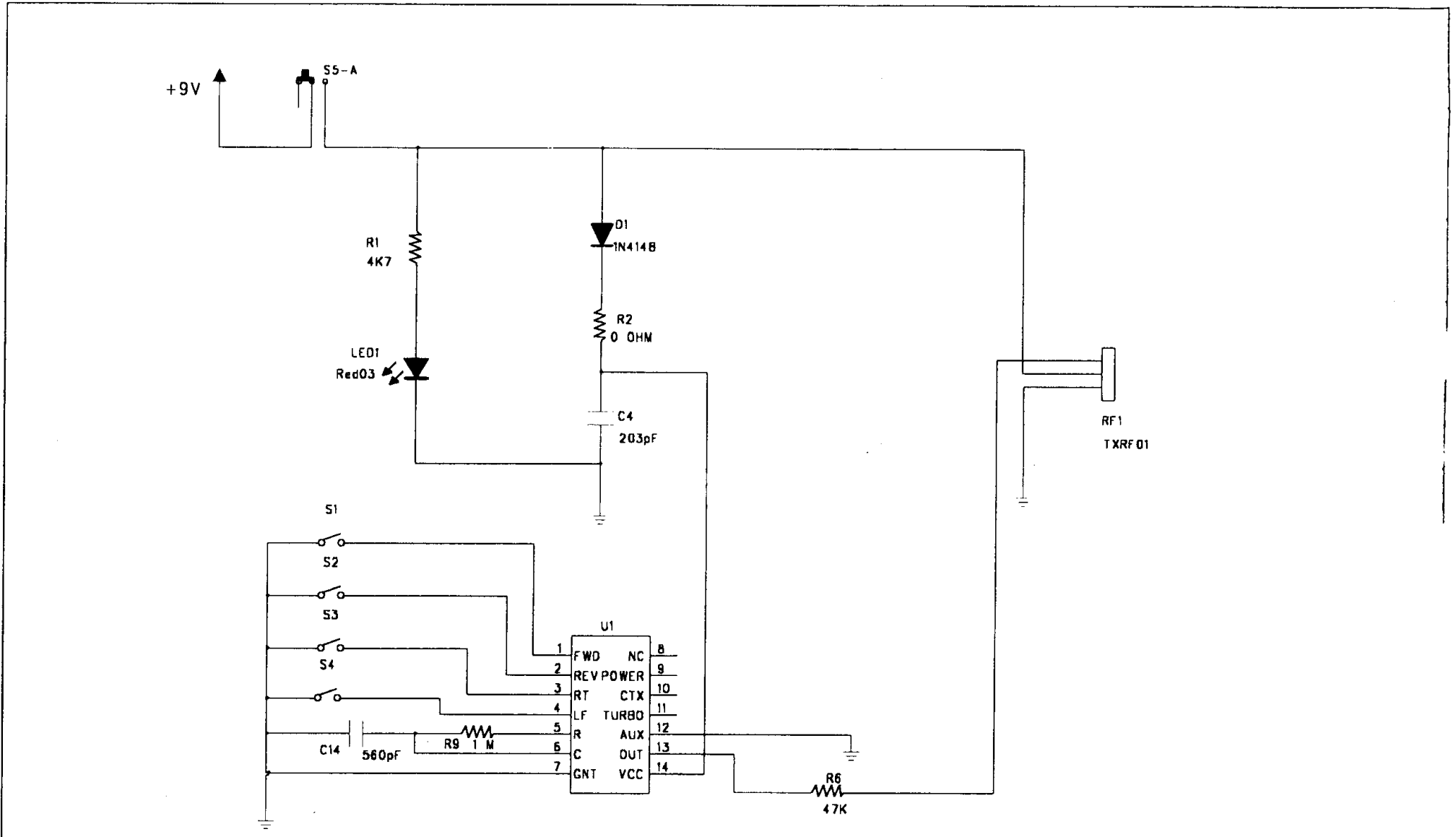


SUPERTOYS INDUSTRIAL CO.LTD		
TITLE:	TXRF01-49M FCC	
DESIGN NO:	S59M-F49-TXRF01(TXRF01)	REV: 0
DRAWN:		DATE: JAN-20-2002
DESIGNTOR:		FILE :
CHECKED:		SIZE:
APPROVED:		SHEET: 1/1 OF



SUPERTOYS INDUSTRIAL CO.LTD		
TITLE:	W05102TX FCC	
DESIGN NO:		REV:
DRAWN:		DATE: JAN-20-2002
DESIGNATOR:		FILE :
CHECKED:		SIZE:
APPROVED:		SHEET: 1 OF 1