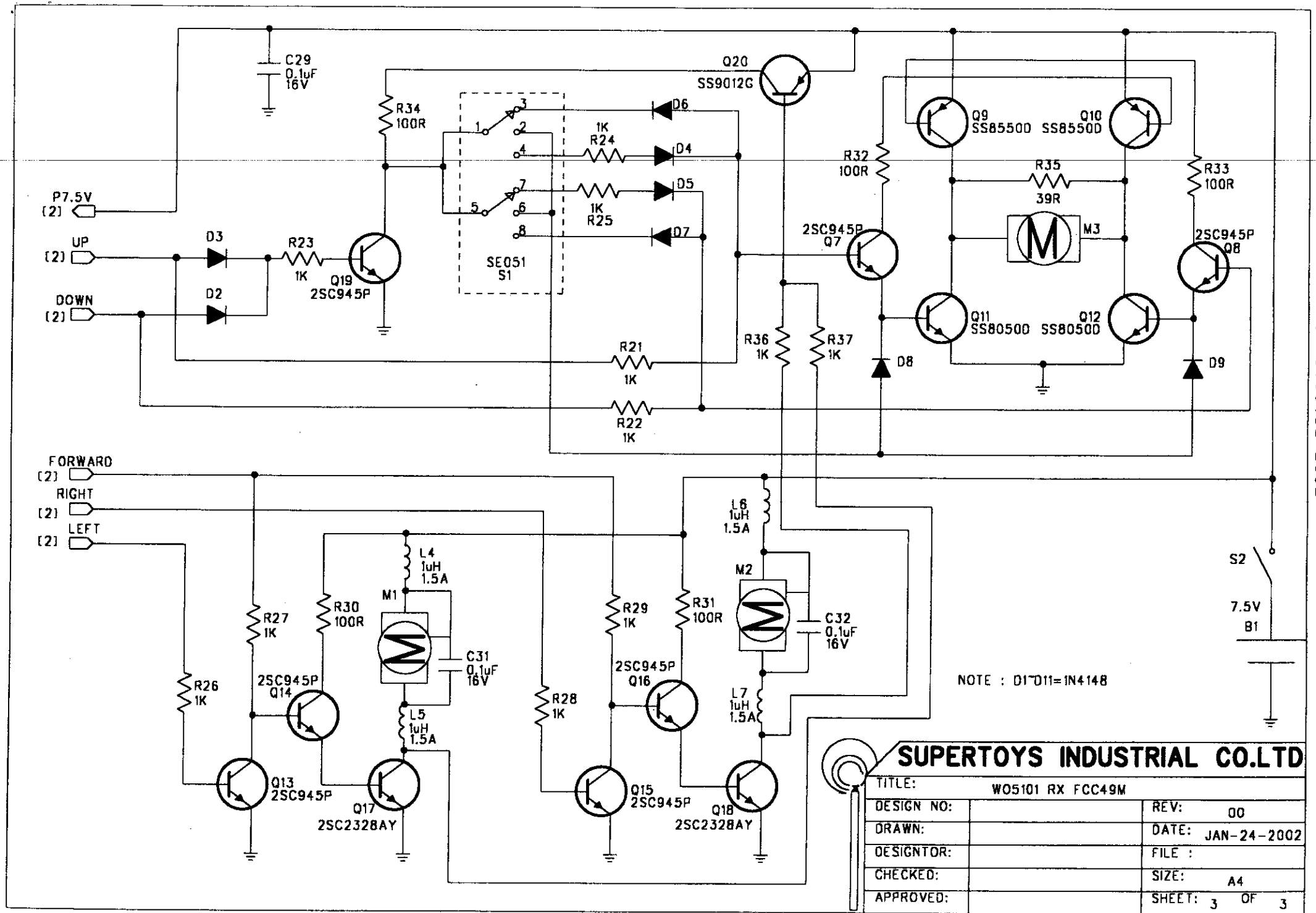


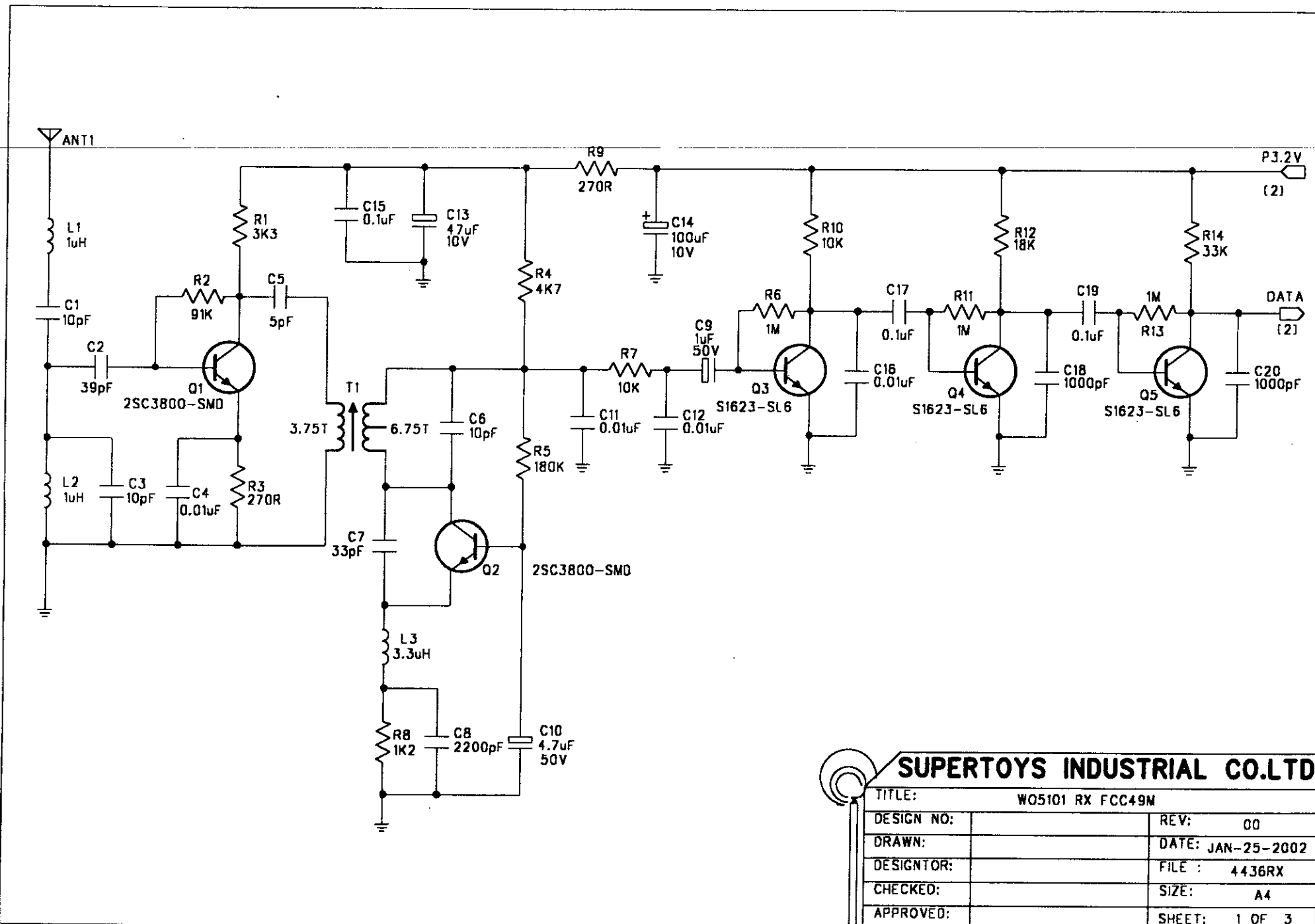
SUPERTOYS INDUSTRIAL CO.LTD		
TITLE:	W05101 RX FCC49M	
DESIGN NO:		REV: 00
DRAWN:		DATE: JAN-24-2002
DESIGNTOR:		FILE :
CHECKED:		SIZE: A4
APPROVED:		SHEET: 2 OF 3



NOTE : D1~D11=1N4148

SUPERTOYS INDUSTRIAL CO.LTD

TITLE: W05101 RX FCC49M	
DESIGN NO:	REV: 00
DRAWN:	DATE: JAN-24-2002
DESIGNTOR:	FILE :
CHECKED:	SIZE: A4
APPROVED:	SHEET: 3 OF 3



SUPERTOYS INDUSTRIAL CO.LTD		
TITLE:	W05101 RX FCC49M	
DESIGN NO:		REV: 00
DRAWN:		DATE: JAN-25-2002
DESIGNTOR:		FILE : 4436RX
CHECKED:		SIZE: A4
APPROVED:		SHEET: 1 OF 3