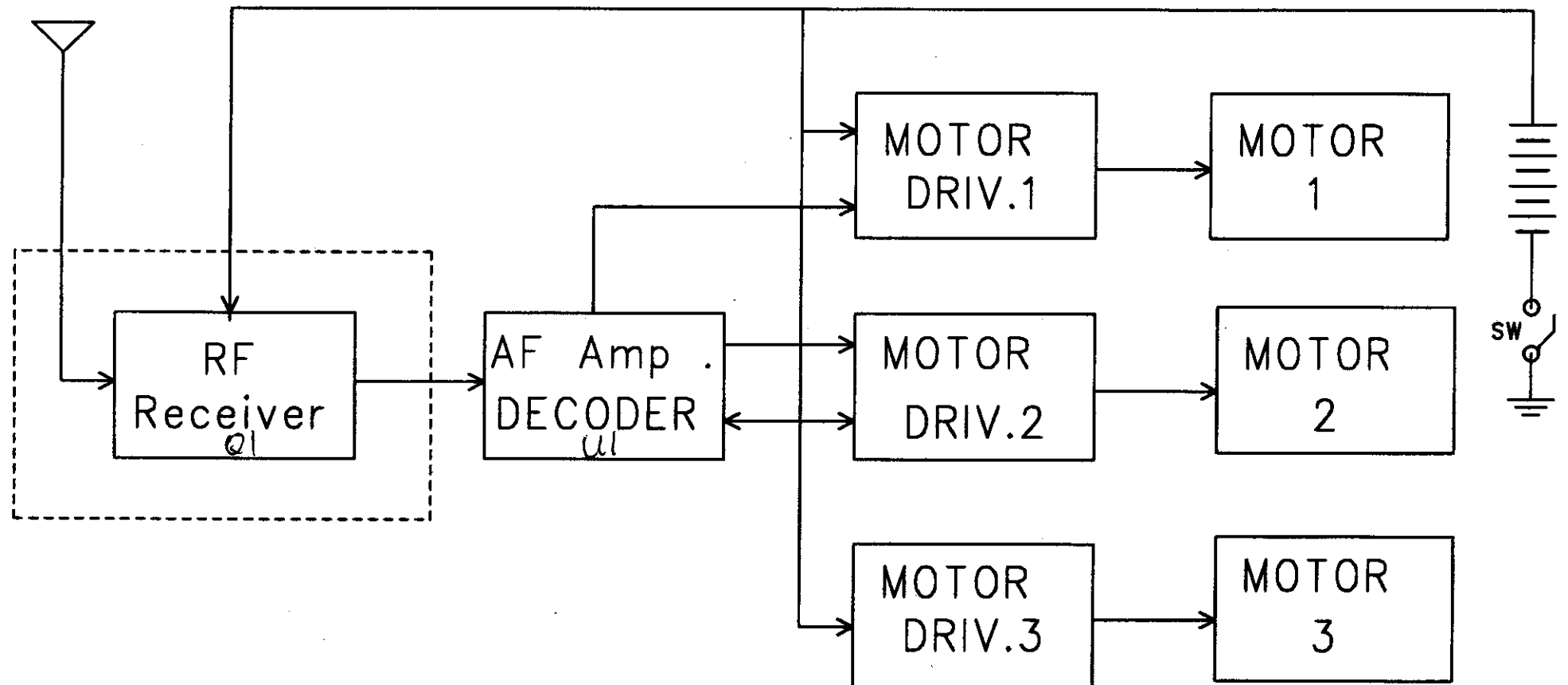


W05101 RX
FCC 49.860MHz

BLOCK DIAGRAM



Circuit Description
The circuit is a 49MHz Receiver For toy R/C
1)RF1 is a super receiver
2)U1 is a AF amperlifier and decoder
3)Q9~Q20 is motors driver