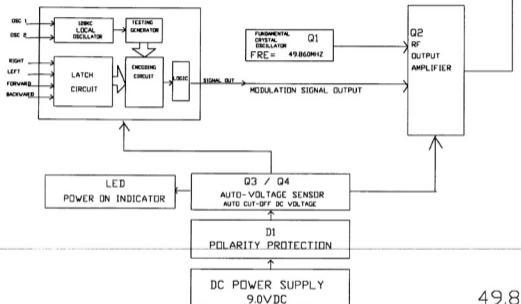


49.860MHZ VERSION

ISSUE	CHANGE DETAIL	DATE	CHECKED	APP.

U1 PT8A977 INTERNAL FUNCTION OR
IC-1 TX2 INTERNAL FUNCTION



49.860MHZ VERSION

DO NOT SCALE DRAWING	TITLE	BLOCK DIAGRAM	QTY	UNIT
UNLESS OTHERWISE SPECIFIC DEC #01 ANGLE #1*	MATERIAL	49.860MHZ TX SIDE	FINISH	SCALE
GENERAL DRAFT	MODEL	RC BEE	PART NO.	
UNLESS OTHERWISE SPECIFIC WALL THICKNESS	DRAWN #LCC	15/04/2002	CHECKED APPROVED 15/04/2002	SIZE A4

Dynamic industries co. ltd.