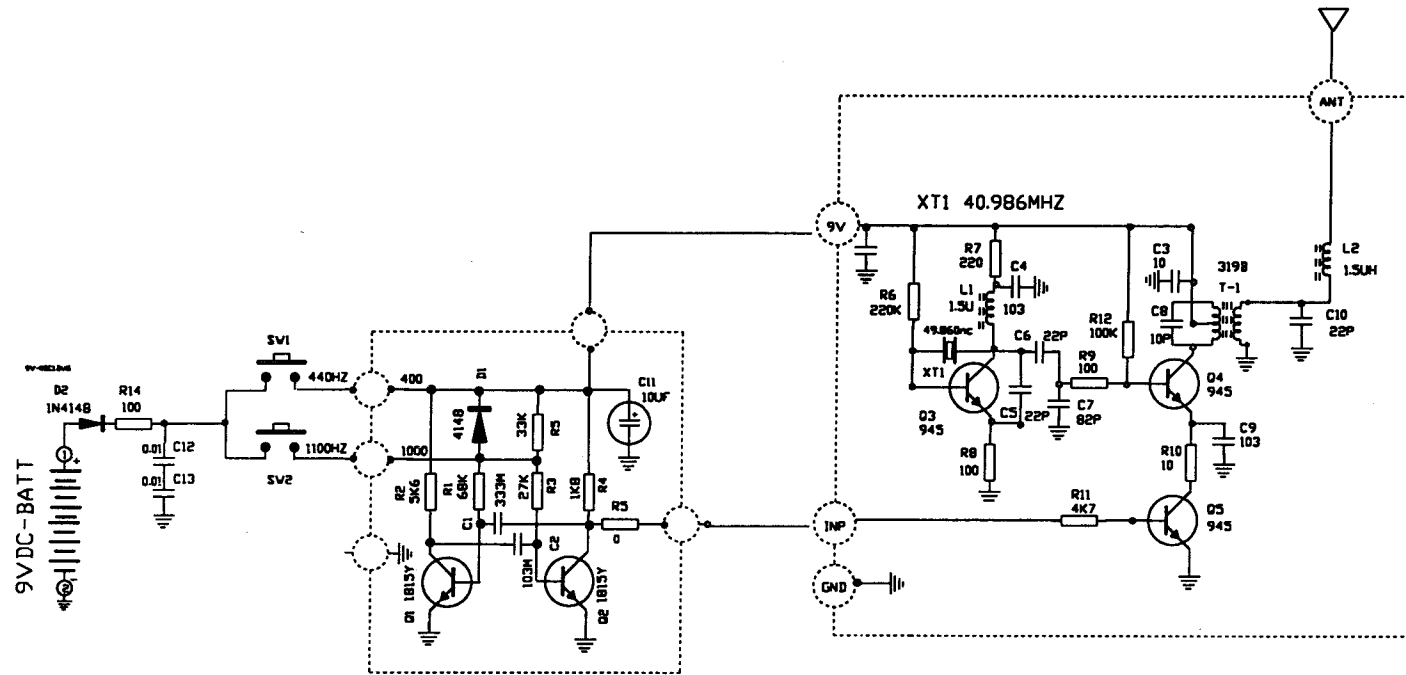


CSPARC  
 FCC-EMC LIMITS  
 31-220CM4330BUV  
 27-204CM48BUVW  
 23MC UP 460MUW

ISSUE	CHANGE DETAIL	DATE	CHECKED	APP.

49.860MHZ VERSION



KEEP 1MM CLEARANCE FOR 1ST B+ POINT.

DO NOT SCALE DRAWING	TITLE SCHEMATIC DIAGRAM		Q'TY	UNIT
UNLESS OTHERWISE SPECIFIC DEC ±0.1 ANGLE ±1°	MATERIAL USA	VERSION 49.860MC	FINISH	SCALE
GENERAL DRAFT	MODEL PLAYDOL 1	SECTION -	PART NO. SC- PD0298-49 A	⊕
UNLESS OTHERWISE SPECIFIC WALL THICKNESS	DRAWN BLEE 8/10/2001	CHECKED	APPROVED	SIZE A4

*Dynamic industries co. ltd.*