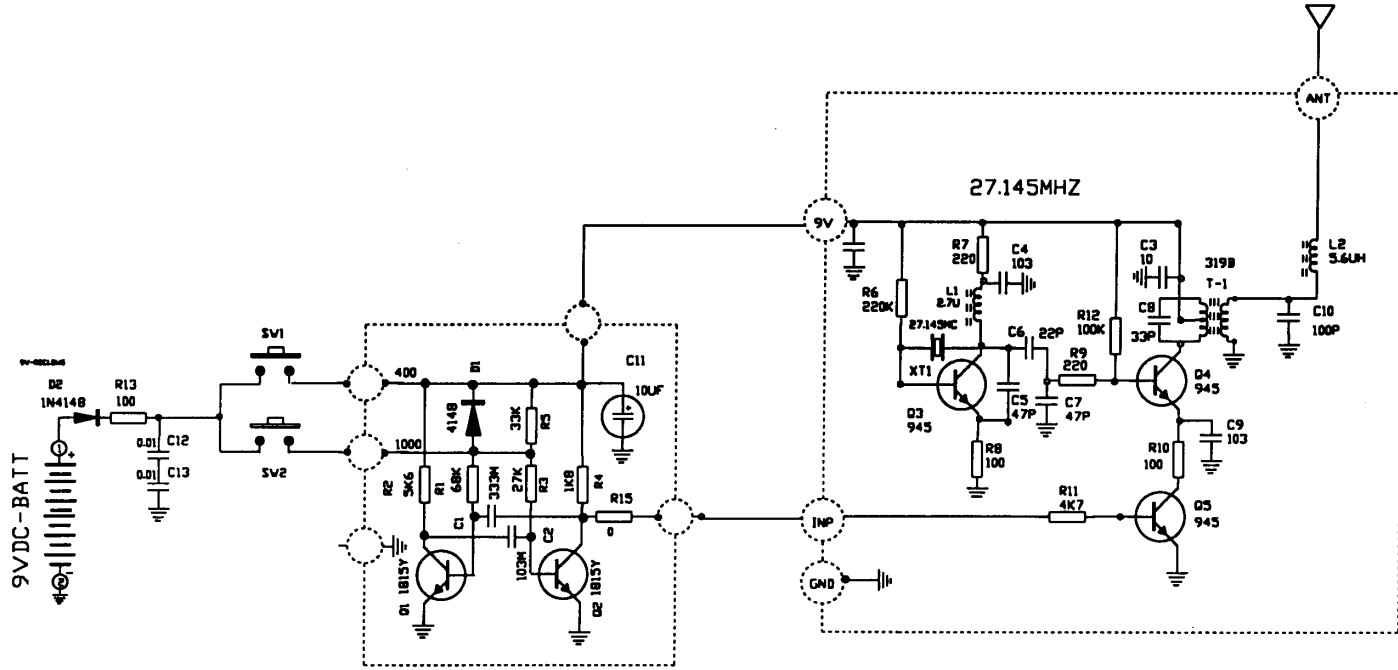


27.145MHZ VERSION

CSP480
 FCC-RFC LIMITS
 31-2200043300VW
 27-3000048000VW
 2300C UP 8 4600VW

ISSUE	CHANGE DETAIL	DATE	CHECKED	APP.



KEEP 1MM CLEARANCE FOR 1ST B+ POINT.

DO NOT SCALE DRAWING	TITLE SCHEMATIC DIAGRAM		Q'TY	UNIT
UNLESS OTHERWISE SPECIFIC DEC ±0.1 ANGLE ±1°	MATERIAL USA	VERSION 27.145MHZ	FINISH	SCALE
GENERAL DRAFT	MODEL PLAYDOL 1	SECTION -	PART NO. SC-PD0298-27A	⊕
UNLESS OTHERWISE SPECIFIC WALL THICKNESS	DRAWN BLEE	CHECKED 8/10/2001	APPROVED	SIZE A4

Dynamic industries co. ltd.