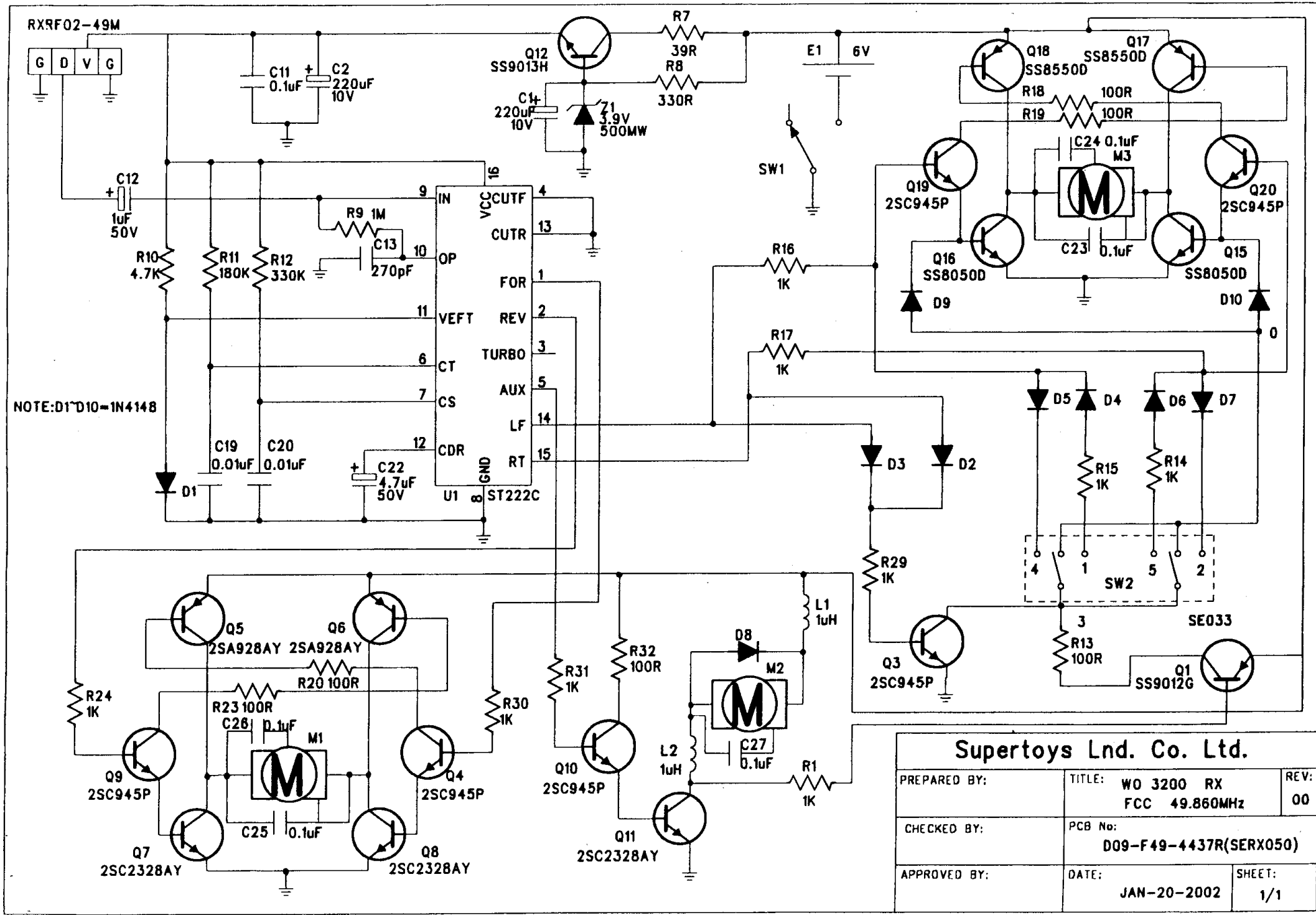


Supertoys Ltd. Co. Ltd.		
PREPARED BY:	TITLE: RXRF02-49M FCC	REV: 00
CHECKED BY:	PCB No: D09-F49-RXRF02(RXRF02)	
APPROVED BY:	DATE: JAN-20-2002	SHEET: 1/1



Supertoys Ltd. Co. Ltd.		
PREPARED BY:	TITLE: WO 3200 RX FCC 49.860MHz	REV: 00
CHECKED BY:	PCB No: D09-F49-4437R(SERX050)	
APPROVED BY:	DATE: JAN-20-2002	SHEET: 1/1