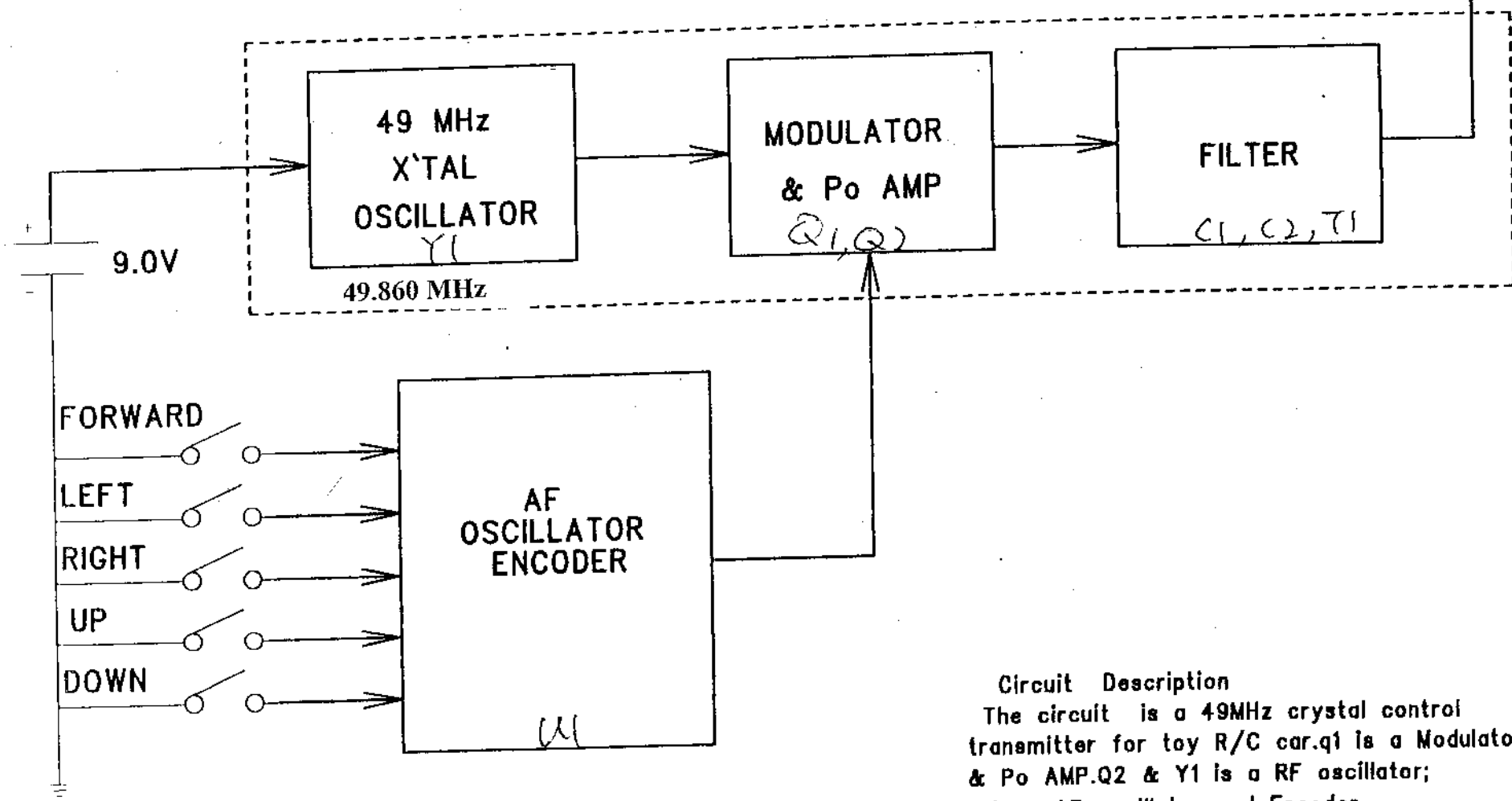


W03200 TX FCC  
49.860MHz

BLOCK DIAGRAM

ANTENNA



**Circuit Description**  
The circuit is a 49MHz crystal control transmitter for toy R/C car. q1 is a Modulator & Po AMP. Q2 & Y1 is a RF oscillator; U1 is a AF oscillator and Encoder C1, C2 and T1 is a harmonic filter