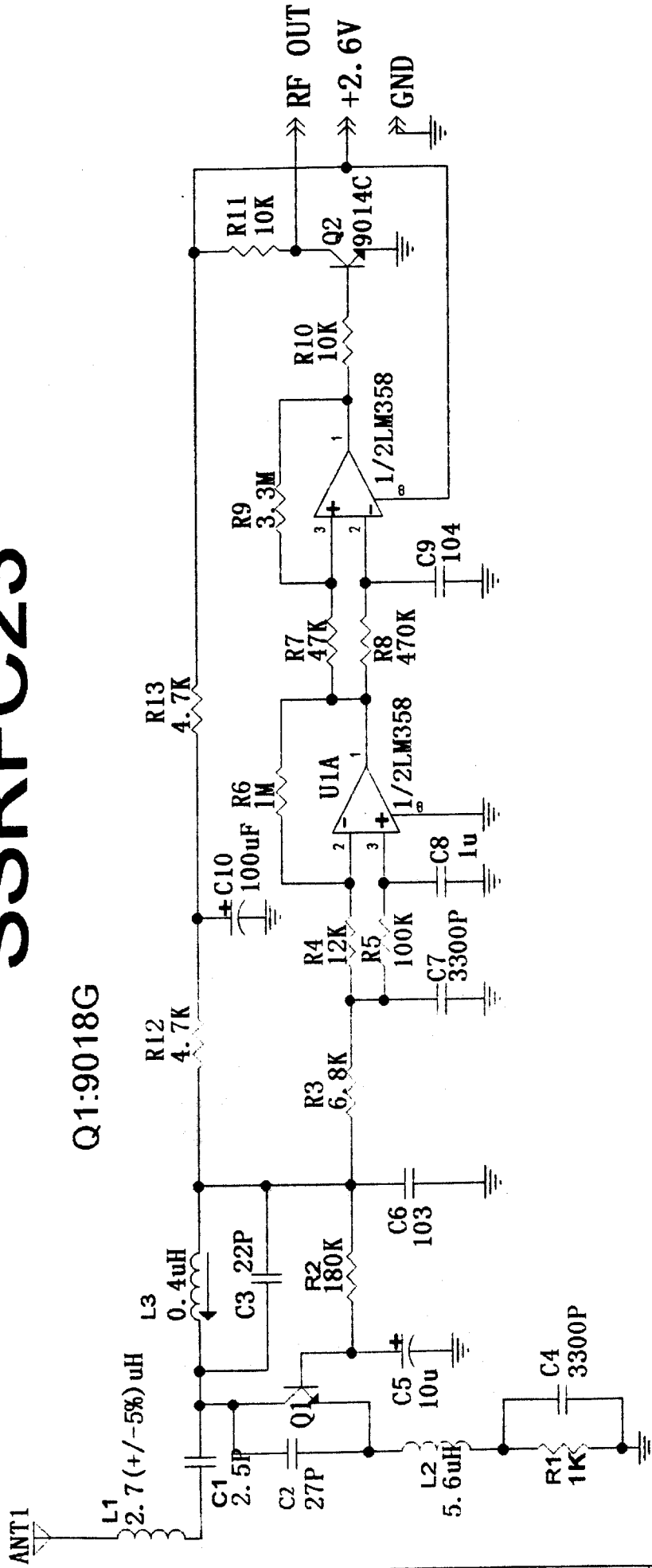


SSRFC23

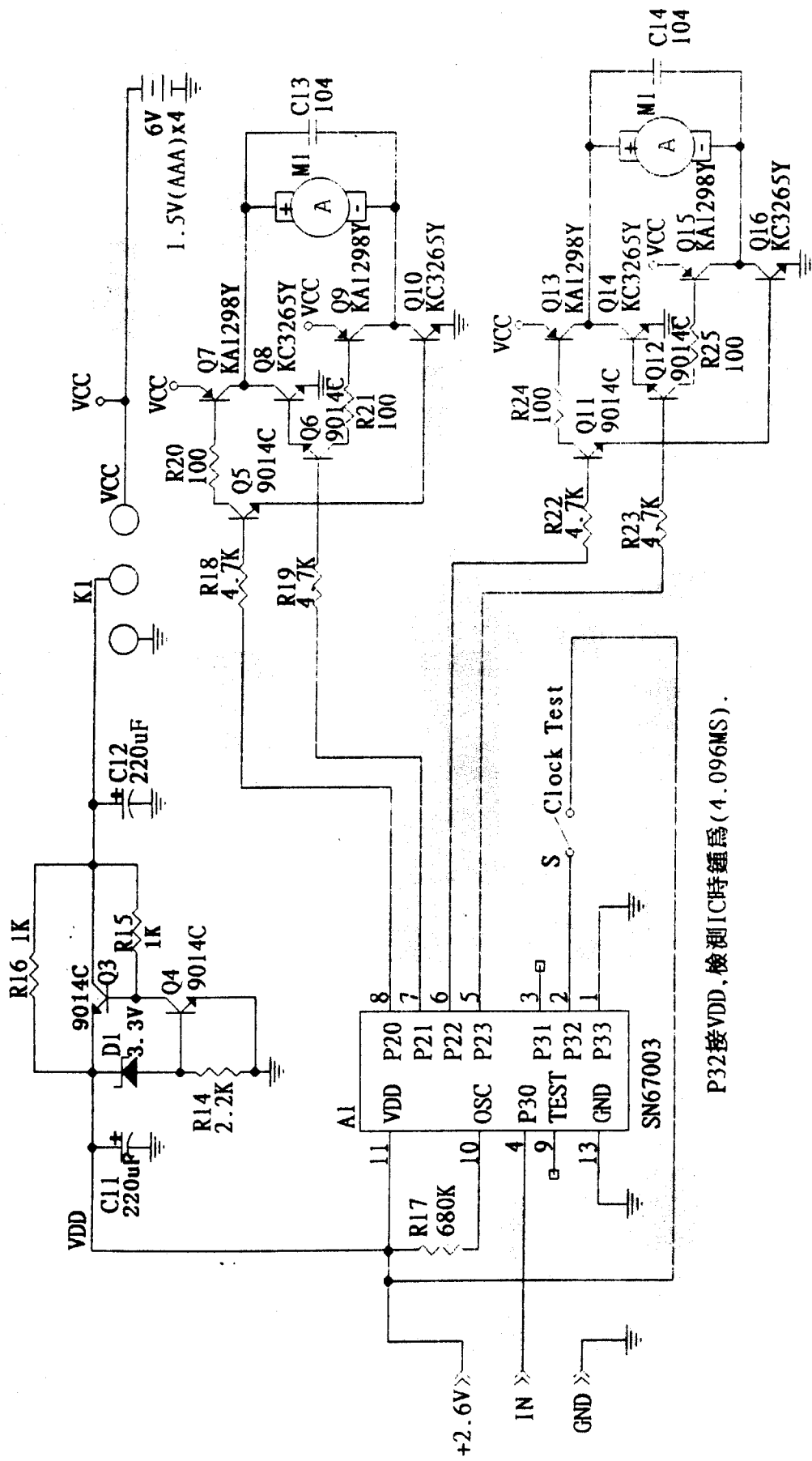
Q1:9018G



Chomp Development Company HK

49MHz滑板RF原理圖

File			
Size	Document Number		
Rev	A	2/3	1
Date	Monday, March 27, 2000	Sheet	of



P32接VDD, 檢測IC時鐘為(4.096MS).

SIMPLE (H.K.) LTD.

滑板MOTOR驅動原理圖 (SSMTH28)

Doc No	A4	Document Number	1/2
Date	Friday, March 24, 2000	Print	2