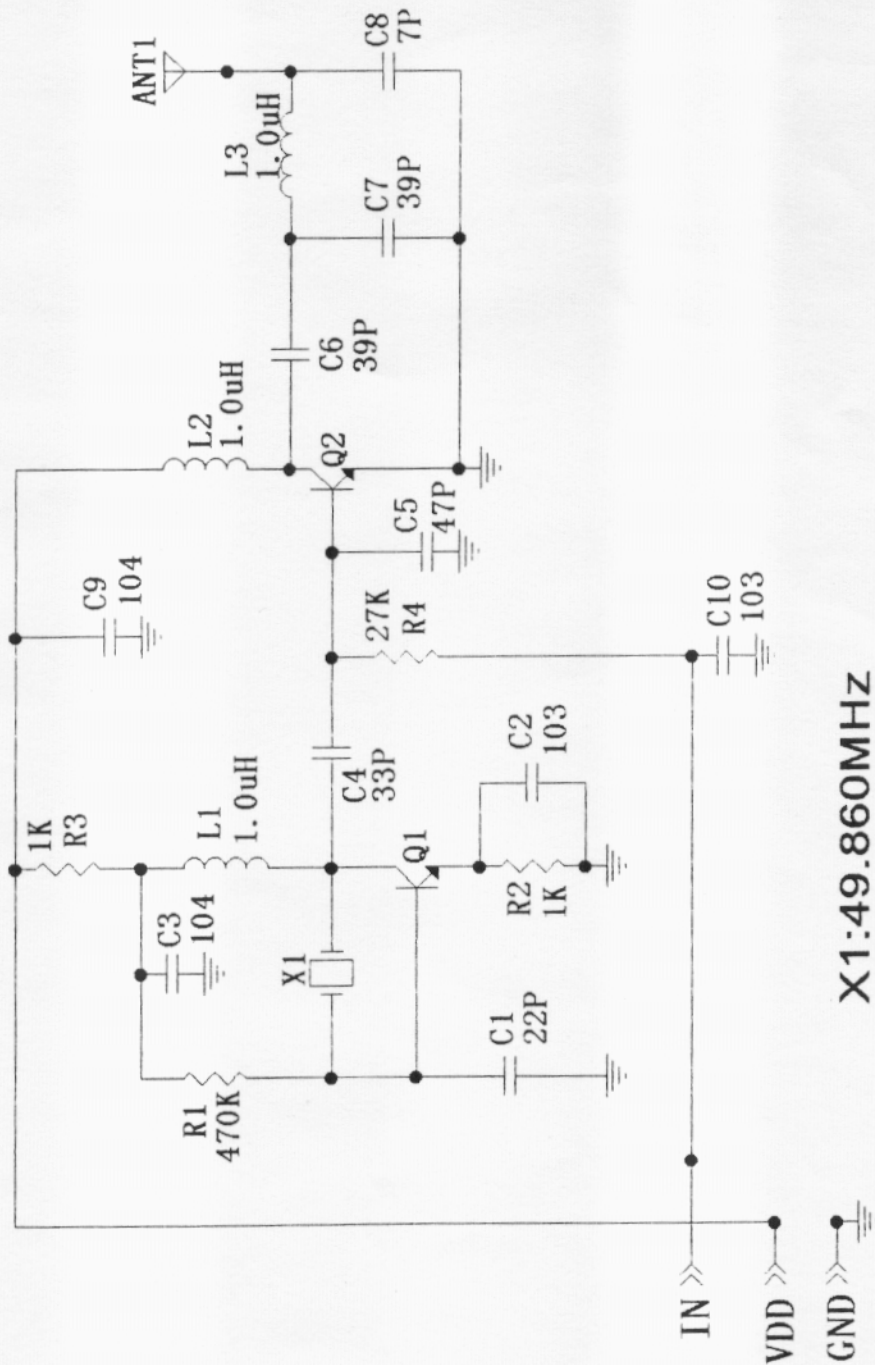


SSTFK06

Q1: 9018H; Q2: 2712Y L1-L3: 1.0uH +/- 5%



X1: 49.860MHZ

Simple (H.K.) LTD.

滑板发射器TF原理图

Doc Number

A 1/3b

Date Tuesday, March 28, 2000

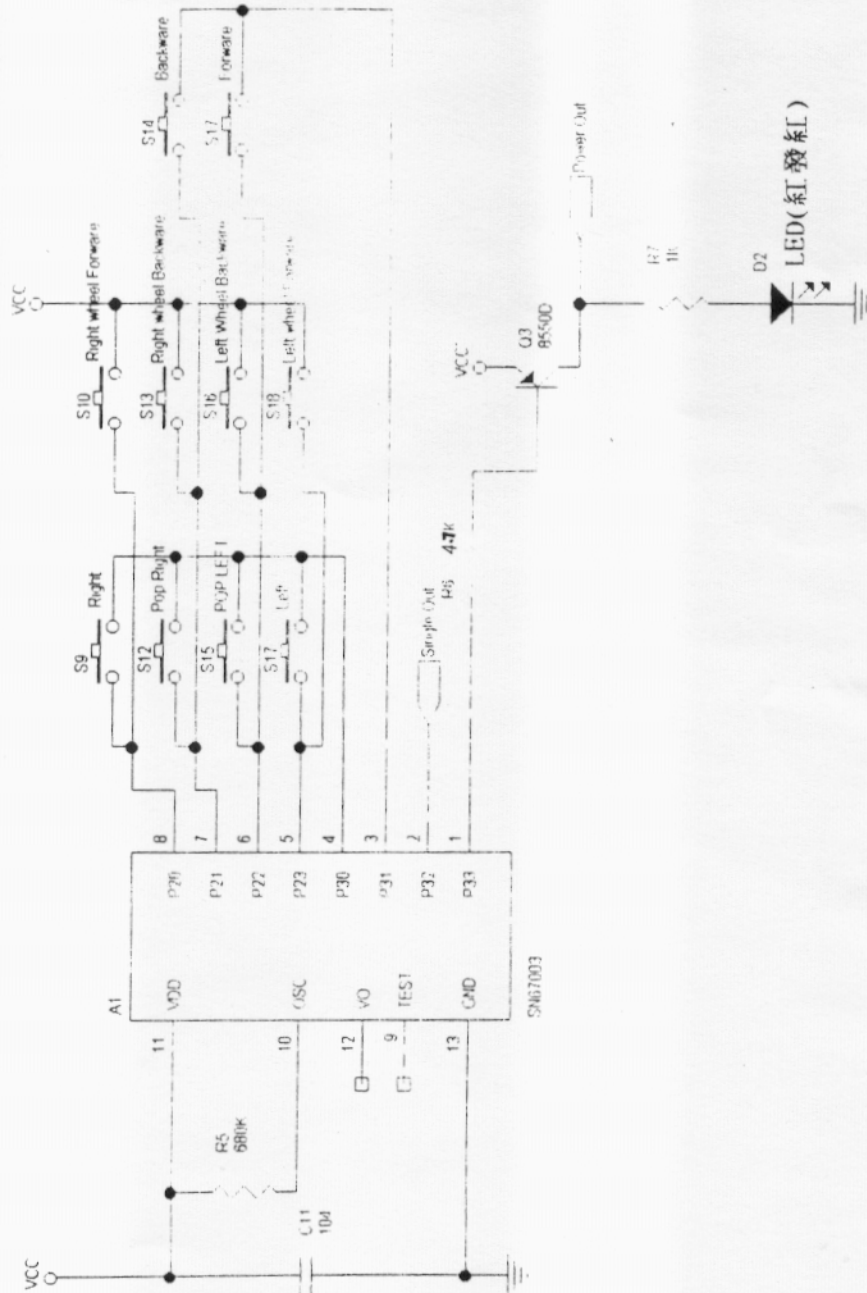
Sheet

of

E

Rev

1



Simple (H.K.) LTD.
 滑板發射 (27MHz&49MHz)

File	
Size	A
Document Number	1/3
Rev	1
Date	2000-3-14
Sheet	1 of 1