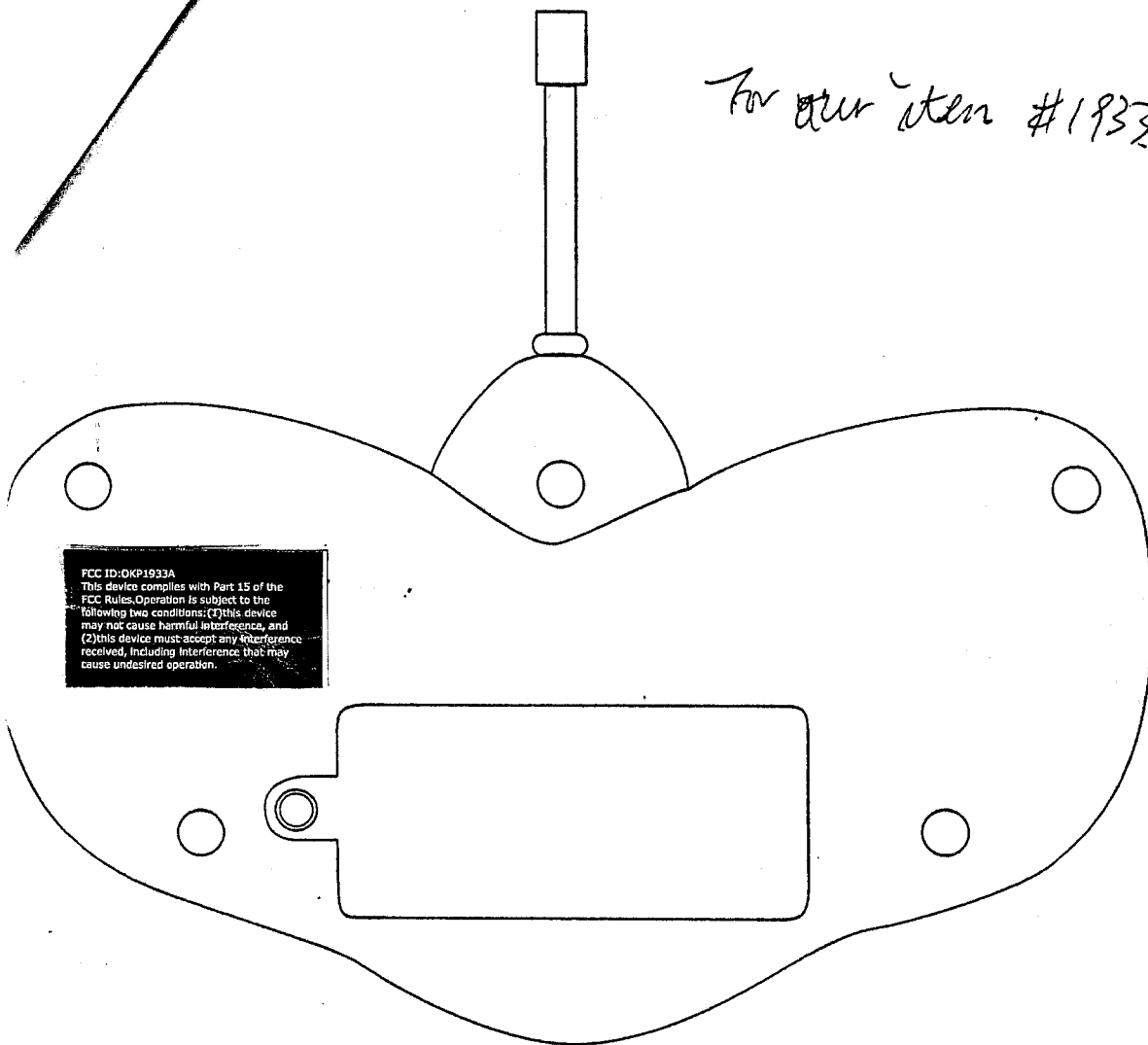


W-175

Att = Rota Chain

Firm = How Wee - Amfa

For our item #1933



FCC ID:OKP1933A
This device complies with Part 15 of the
FCC Rules.Operation is subject to the
following two conditions:(1)this device
may not cause harmful interference, and
(2)this device must accept any interference
received, including interference that may
cause undesired operation.

FCC ID:OKP1933A
This device complies with Part 15 of the
FCC Rules.Operation is subject to the
following two conditions:(1)this device
may not cause harmful interference, and
(2)this device must accept any interference
received, including interference that may
cause undesired operation.

FCC ID:OKP1933A
This device complies with Part 15 of the
FCC Rules.Operation is subject to the
following two conditions:(1)this device
may not cause harmful interference, and
(2)this device must accept any interference
received, including interference that may
cause undesired operation.