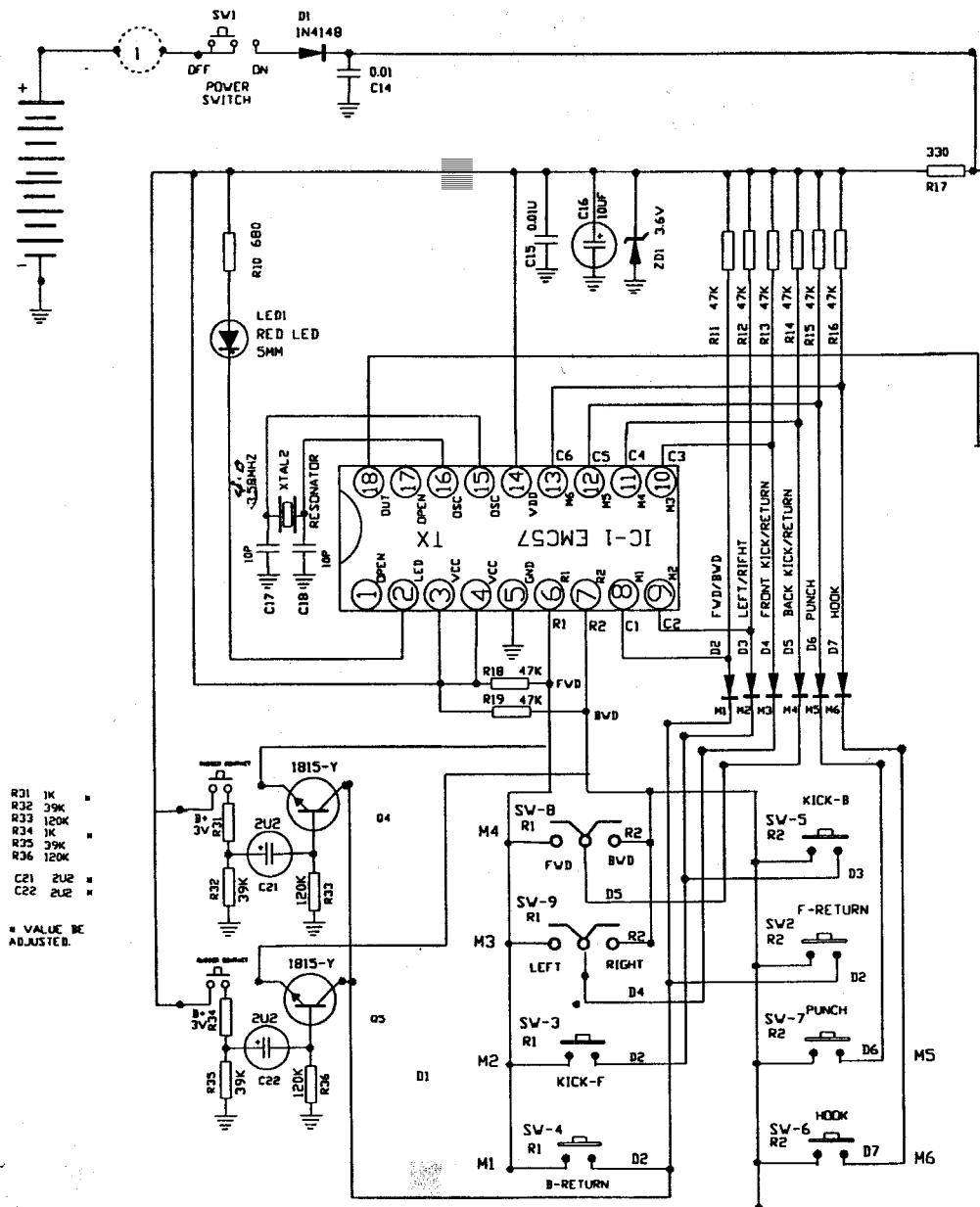
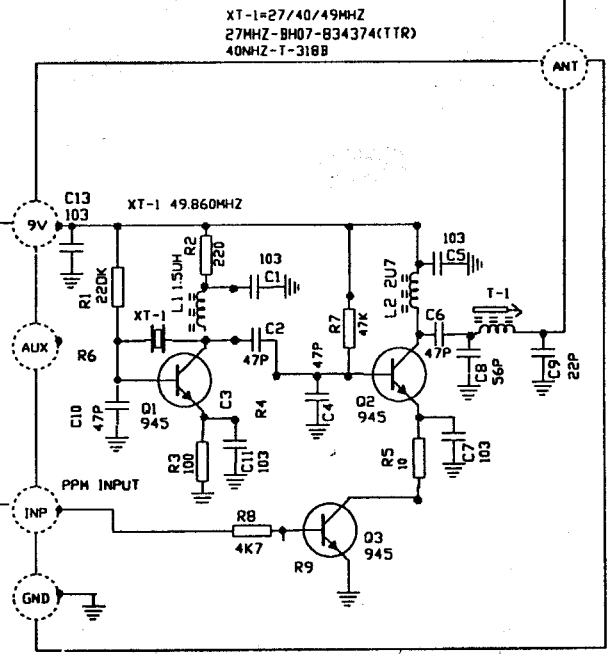


ISSUE	CHANGE DETAIL	DATE	CHECKED	APP.

9VDC - BATT



- R31 1K
 - R32 39K
 - R33 120K
 - R34 1K
 - R35 39K
 - R36 120K
 - C21 2U2
 - C22 2U2
- * VALUE BE ADJUSTED.



XT-1=27/40/49MHZ
27MHZ-BH07-834374(TTR)
40MHZ-T-318B

- O1 2SC945 2SC1815
- O2 2SC945 2SC1815
- O3 2SC945 2SC1815
- D1-D7 1N4148

T-1 TUNE FOR MAXIMUM OUTPUT
TRANSMISSION RANGE 55-70FT IN OPEN AREA.

27TH MAR. 2000. SC-GL-0242-03

DO NOT SCALE DRAWING	TITLE SCHEMATIC DIAGRAM		Q'TY	UNIT
UNLESS OTHERWISE SPECIFIC DEC ±0.1 ANGLE ±1°	MATERIAL TX SECTION EMC	FINISH	SCALE	
GENERAL DRAFT	MODEL GLADIATOR VER 1.0	PART NO. SC-GL-0242-04	SIZE A4	
UNLESS OTHERWISE SPECIFIC WALL THICKNESS	DRAWN BLEE STG MAY 2000.	CHECKED	APPROVED	

Dynamic industries co. ltd.