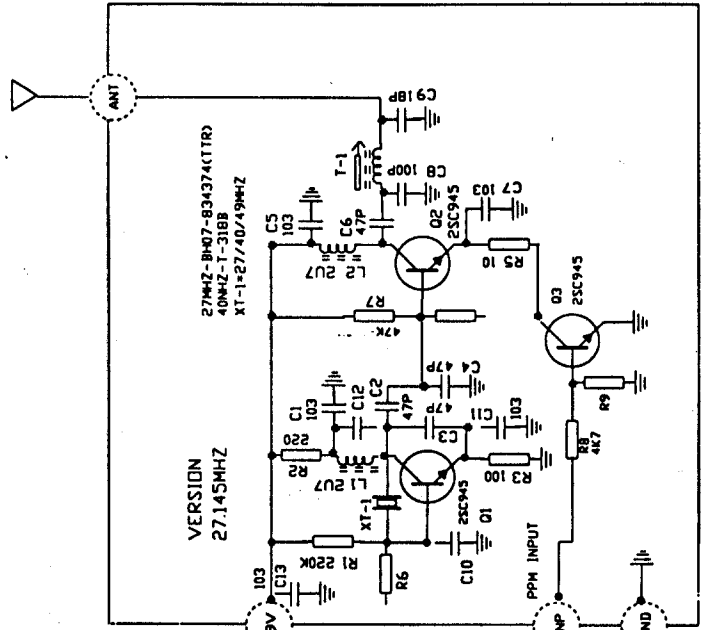
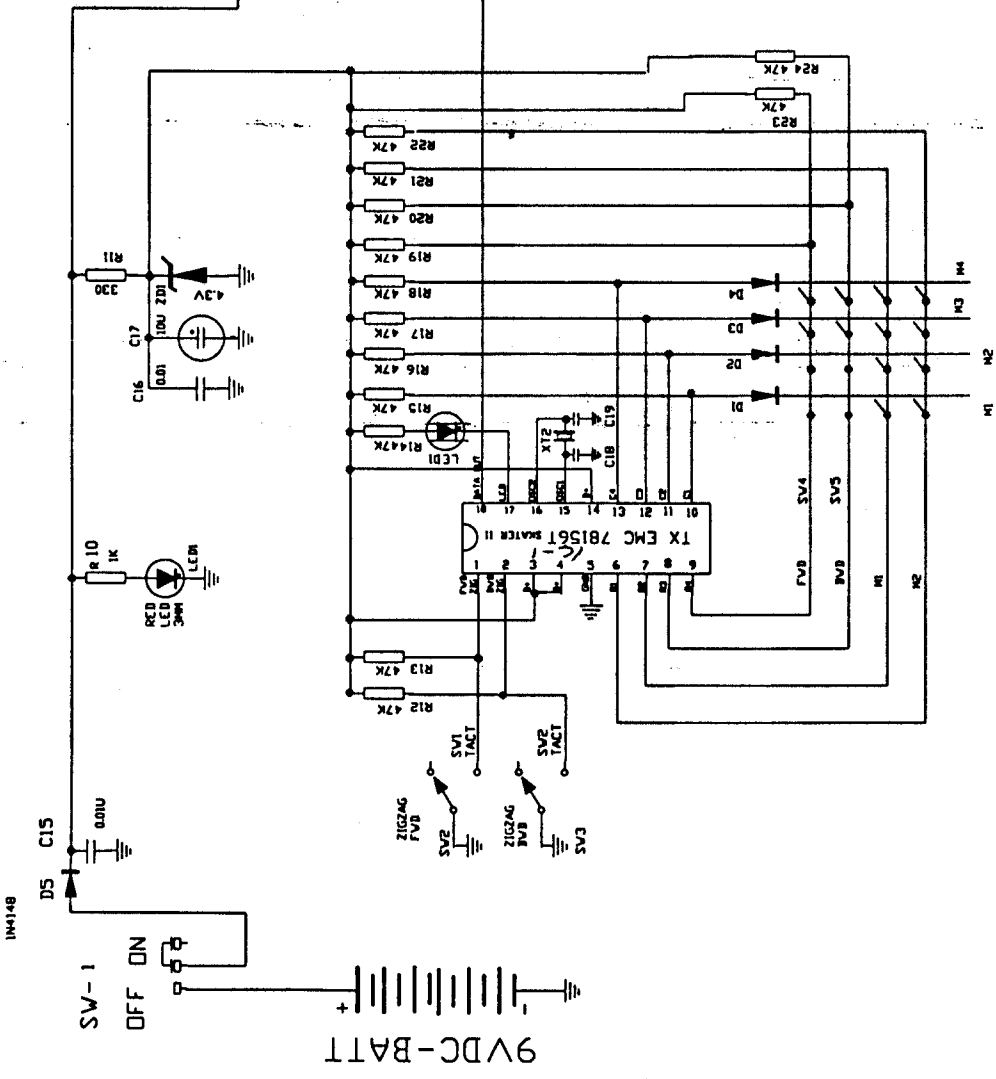


ISSUE	CHANGE DETAIL	DATE	CHECKED	APP.



- R1 220K C1 103
- R2 220 C2 47P
- R3 100 C3 47P
- R4 C4 47P
- R5 10 C5 103
- R6 X C6 47P
- R7 447 C7 103
- R8 447 C8 100P 56P
- R9 447 C9 10P 22P
- R10 X C10 X
- C11 103
- C12 X710P 10P
- C13 103
- Q1 2SC945P
- Q2 2SC945P
- D3 2SC945
- XT1 27.145MC 49.860MC
- R10 1K C15 0.01
- R11 330 C16 0.01
- R12 47K C18 300P
- R13 47K C19 30P
- R14 47K C20 0.01
- R15 47K C21 0.01
- R16 47K C22 0.01
- R17 47K C23 0.01
- R18 47K C24 0.01
- R19 47K C25 0.01
- R20 47K
- R21 47K
- R22 47K
- R23 47K
- R24 47K
- R25 47K
- R26 47K
- R27 47K
- R28 47K
- DI-D5 1M4148
- ZD1 4.3V 0.5W 10Z
- LED1 3MM RED LED
- XT2 40MC



DO NOT SCALE DRAWING	TITLE	QTY	UNIT
UNLESS OTHERWISE SPECIFIC DEC 3-0.1 ANGLE 31°	SCHMATIC DIAGRAM		SCALE
GENERAL DRAFT	MATERIAL	FINISH	
UNLESS OTHERWISE SPECIFIC WALL THICKNESS	VERSION		
	27/49MC.		
	SECTION -	PART NO.	
	SKATER 2 TX SECTION	SC-SK-0245-01	
	DRAWN	CHECKED	APPROVED
	BLEE	03/04/2000.	
			SIZE
			A4

Dynamic industries co. ltd.