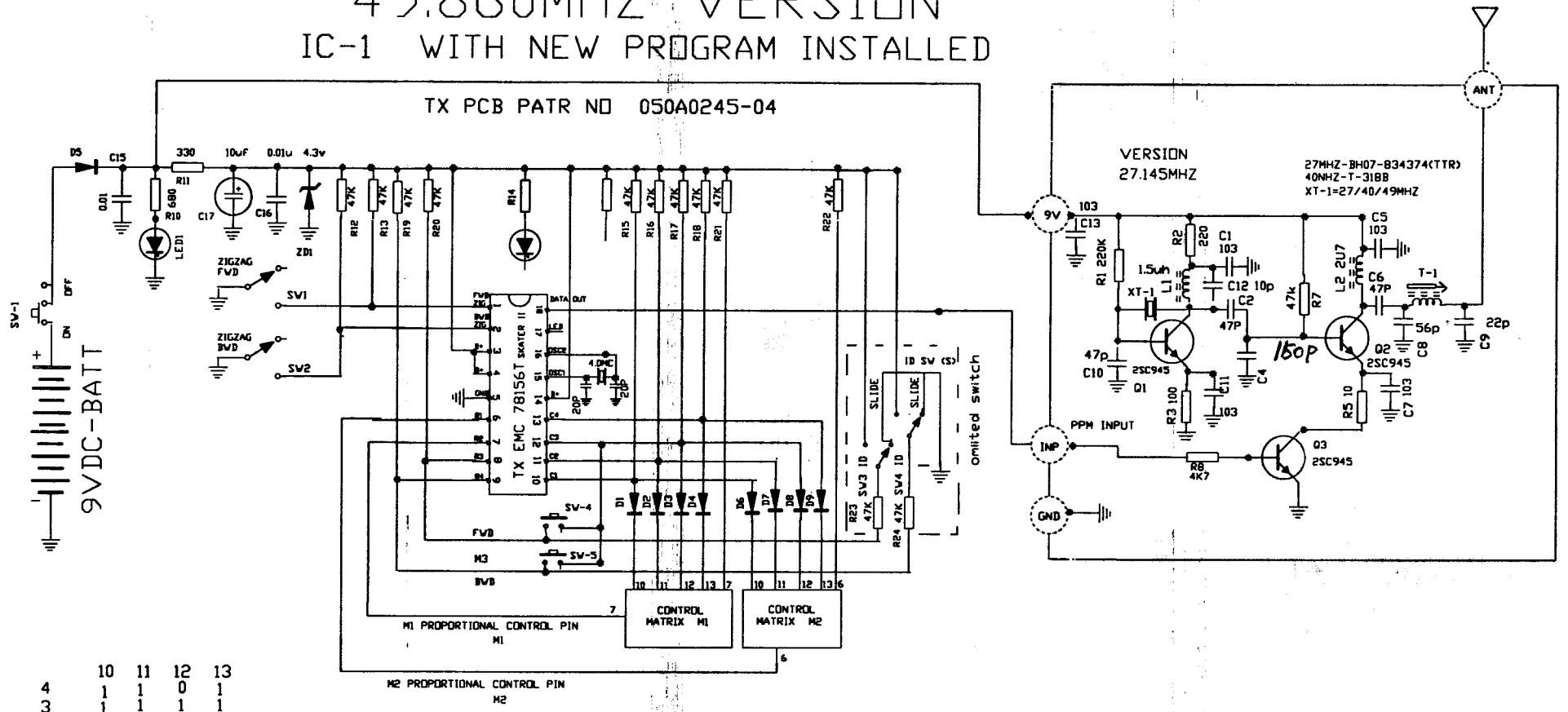


ISSUE	CHANGE DETAIL	DATE	CHECKED	APP.

# 49.860MHZ VERSION IC-1 WITH NEW PROGRAM INSTALLED

TX PCB PATR NO 050A0245-04



4	10	11	12	13
3	1	1	0	1
2	1	1	1	1
1	1	1	1	0
0	0	0	0	0
1	0	1	0	0
2	0	1	1	0
3	0	1	1	1
4	0	1	0	1

05/15/2000.  
SK-0245-01 03/04/2000.

DO NOT SCALE DRAWING	TITLE <b>SCHEMATIC DIAGRAM</b>		Q'TY	UNIT
UNLESS OTHERWISE SPECIFIC DEC ±0.1 ANGLE ±1°	MATERIAL VERSION 27/49MC.	FINISH	SCALE	
GENERAL DRAFT	MODEL SECTION - SKATER 2 TX SECTION	PART NO. SC-SK-0245-49		
UNLESS OTHERWISE SPECIFIC WALL THICKNESS	DRAWN BLEE 3RD JUNE 2000	CHECKED	APPROVED	SIZE A4

## Dynamic industries co. ltd.