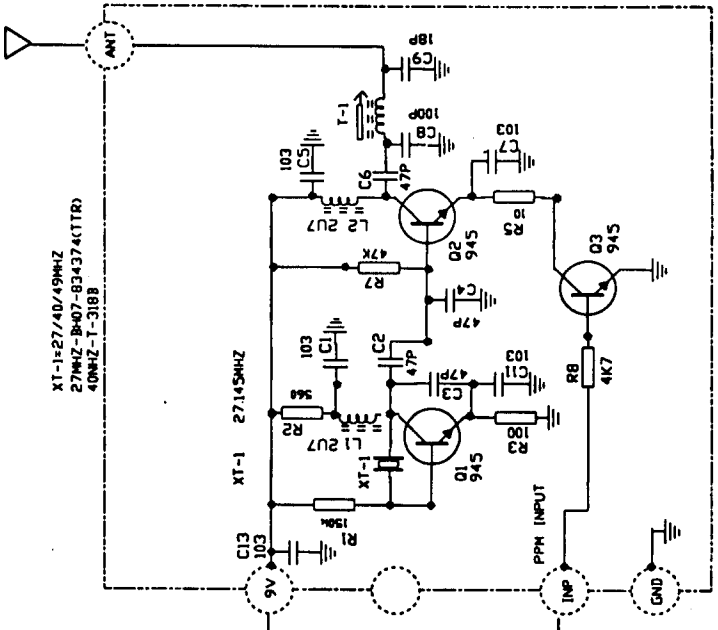
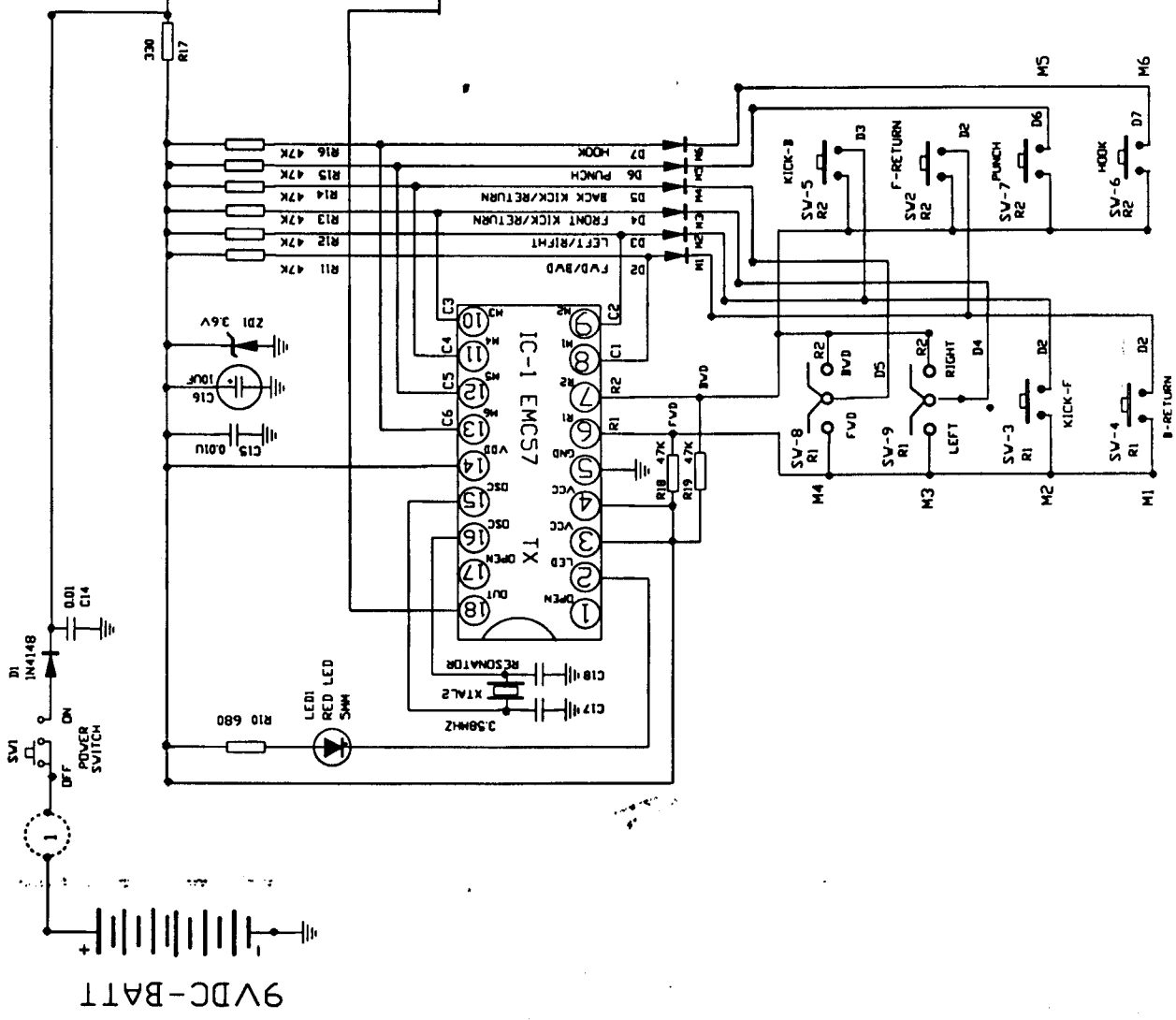


27.145MHZ VERSION



- 27MC
 C1 103
 C2 47P
 C3 47P
 C4 47P
 C5 103
 C6 47P
 C7 103
 C8 100P
 C9 18P
 C10 680
 C11 103
 C12 47K
 C13 103
 C14 47K
 C15 103
 C16 47K
 C17 330
 C18 47K
 C19 47K
 C20 47K
 R1 15K
 R2 560
 R3 100
 R4 39K
 R5 10
 R6 10
 R7 47K
 R8 4K7
 R9 XX
 R10 680
 R11 47K
 R12 47K
 R13 47K
 R14 47K
 R15 47K
 R16 47K
 R17 330
 R18 47K
 R19 47K
 R20 47K
 D1 25C945 25C1815
 D2 25C945 25C1815
 D3 25C945 25C1815
 DI-D7 1N4148

T-1 TUNE FOR MAXIMUM OUTPUT
 TRANSMISSION RANGE 55-70FT IN OPEN AREA.



ISSUE	CHANGE DETAIL	DATE	CHECKED	APP.

DO NOT SCALE DRAWING	TITLE	UNIT
UNLESS OTHERWISE SPECIFIC DEC 30.1 ANGLE ±1	SCHMATIC DIAGRAM	SCALE
GENERAL DRAFT	MATERIAL TX SECTION EMC	FINISH
UNLESS OTHERWISE SPECIFIC WALL THICKNESS	MODEL GLADIATOR VER 1.0	PART NO. SC-GL-0242-04
	DRAWN BLEE	CHECKED
	STG MAY 2000	APPROVED
		SIZE A4

Dynamic industries co. ltd.