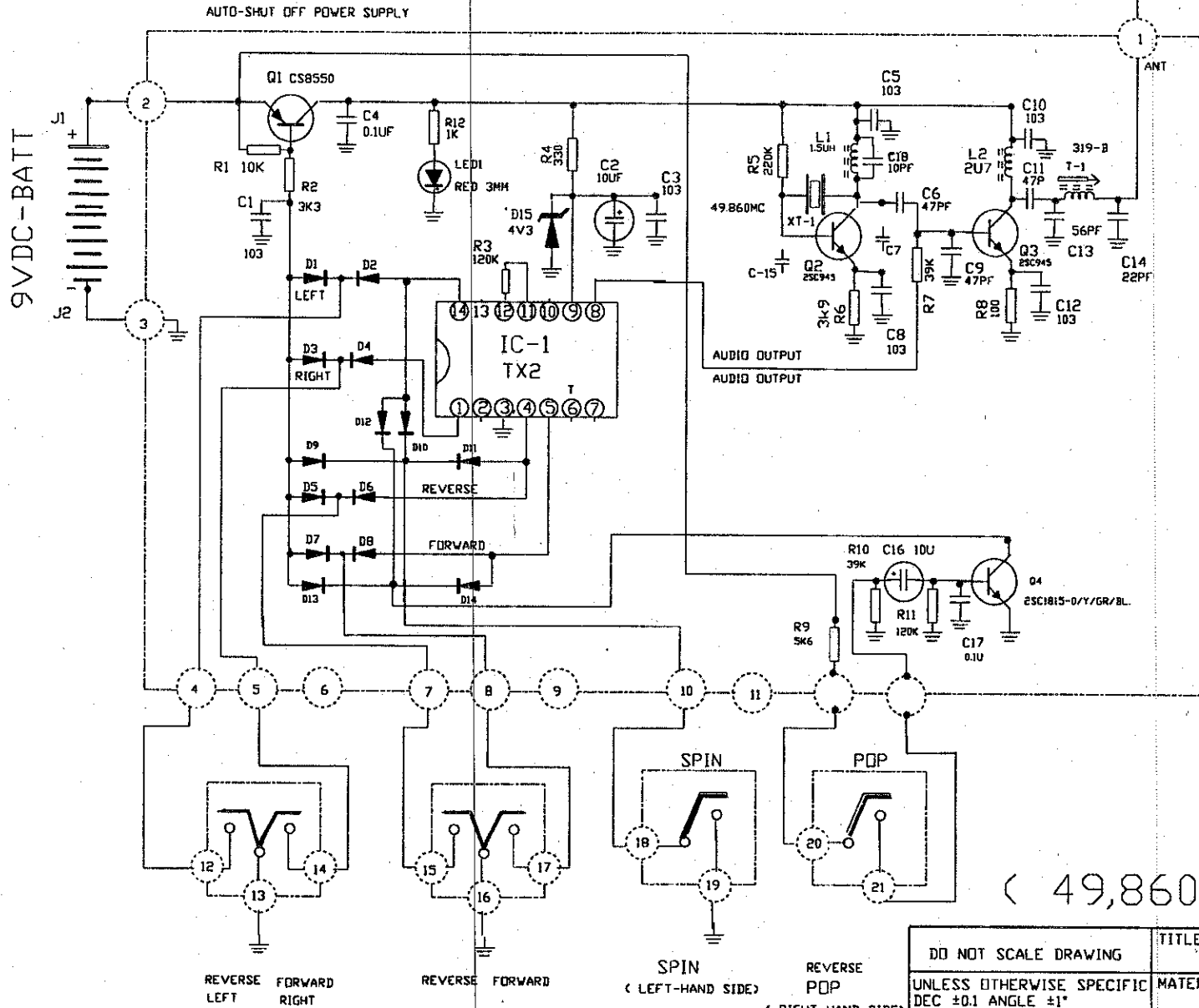


< 49,860MHZ VERSION >



ISSUE	CHANGE DETAIL	DATE	CHECKED	APP.
A	1. ANT ZERO WIRE DELETED 2. ANT TO WIRE TYPE 3. C9 DELETED	10/5/99	BLEE	VLAI
B	1. R5 3K9 WAS 4700H 2. C-9 47PF WAS NONE	19/5/1999	BLEE	VLAI

CODE	RES	CAP	DIODE	INDUCTOR	TRANSISTOR
1	10K	0.01U	CC		
2	3K3	10MFD	E-CAP	1.5UH	CS8550
3	120K	0.01U	CC	2.7UH	2SC945P
4	330	0.1UF	CC		2SC945P
5	220K	0.01U	CC		
6	3K9	47PF	NPD		
7	39K	47PF	NPD		
8	100	0.01U	CC		
9	5K6	47PF	NPD		
10	39K	0.01U	CC		
11	120K	47PF	NPD		
12	1K	0.01U	CC		
13		56PF	NPD		
14		22PF	NPD		
15		XXXXXXX	XXXXXXX	4V3	
16		10MFD	E-CAP		
17		0.1UF	CC		
18		10PF	NPD		
19					
20					

X-1 49.860 MHZ CRYSTAL  
T-1 319B BH25379 (B MONSTER)  
< TUNE T-1 FOR MAX OUTPUT.

04 10/5/99.  
03 24/4/1999.  
02 8/4/1999.  
7/4/1999. SC-JX-0174-01  
16/03/1999.

< 49,860MHZ VERSION >

DO NOT SCALE DRAWING	TITLE		Q'TY	UNIT
UNLESS OTHERWISE SPECIFIC DEC ±0.1 ANGLE ±1°	SCHEMATIC DIAGRAM			
GENERAL DRAFT	MATERIAL	FINISH	SCALE	
	TX SECTION			
UNLESS OTHERWISE SPECIFIC WALL THICKNESS	MODEL	PART NO.	SIZE	
	SLIDE. TX.	SC-JX-0174-05	A4	
	DRAWN	CHECKED	APPROVED	
	BLEE 19/5/1999.			

Dynamic industries co. ltd.

**DYNAMIC INDUSTRIES CO LTD**

UNIT 2205, 22F, 57, HUNG TO RD

ENGINEERING DEPARTMENT

MODEL NO:-

MODEL NAME:- RC SKATE BOARD

DATE:-

19TH MAY 1999.

BY:

B.LEE

VERSION :-

49.860MHZ.

**PART LIST      TX SECTION****RESISTOR**

5% 1/4W

CODE	VALUE	TYPE
R1	10K	1/4W 5%
R2	3K3	1/4W 5%
R3	120K	1/4W 5%
R4	330	1/4W 5%
R5	220K	1/4W 5%
R6	3K9	1/4W 5%
R7	39K	1/4W 5%
R8	100	1/4W 5%
R9	5K6	1/4W 5%
R10	39K	1/4W 5%
R11	120K	1/4W 5%
R12	1K	1/4W 5%

**CAP(S)**

CODE	VALUE	TYPE
C1	0.01U	CC
C2	10MFD	EC
C3	0.01U	CC
C4	0.1UF	CC
C5	0.001UF	CC
C6	47PF	CC
C7	XXX	XXX
C8	0.01UF	CC
C9	47PF	CC
C10	0.01UF	CC
C11	47PF	CC
C12	0.01UF	CC

CODE	VALUE	TYPE
C13	56PF	CC
C14	22PF	CC
C15	XXX	CC
C16	10MFD	EC
C17	0.1UF	CC
C18	10PF	CC
C19		

**TRANSISTOR/INDUCTOR**

CODE	VALUE	TYPE
Q1	CS8050	TO-92
Q2	2SC945	TO-92
Q3	2SC945	TO-92
Q4	2SC1815	TO-92
Q5		TO-92
D1-D14	1N4148	DO-34
D15	4.3V ZENER	DO-34
X1	49.860MHZ	HC-49U
L-1	1.5UH	10%
L-2	2.7UH	10%
T-1	319B	7X7MM

**OTHER PARTS**

CODE	VALUE	TYPE
		PC BOARD 1.6MM 94HB
		ANTENNA ROD
		TX CABINET TOP
		TX CABINET BOTTOM
		TX CONTROL KNOB
		TX BATTERY DOOR
		TX TOP ANT COVER