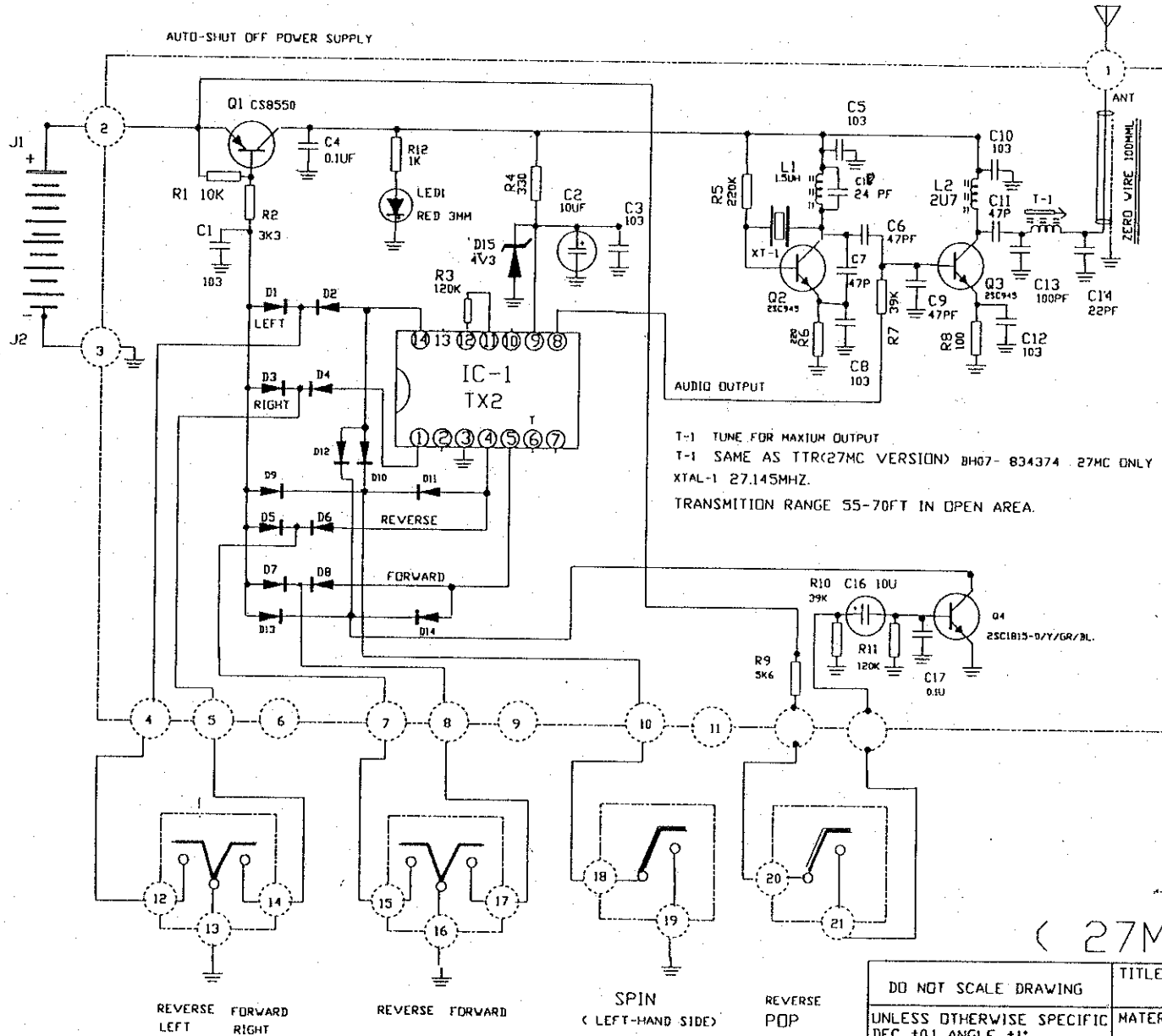


(27MHZ VERSION)

9VDC-BATT

AUTO-SHUT OFF POWER SUPPLY



AUDIO OUTPUT

T-1 TUNE FOR MAXIUM OUTPUT
 T-1 SAME AS TTR(27MC VERSION) BH07- 834374 27MC ONLY
 XTAL-1 27.145MHZ.
 TRANSMISSION RANGE 55-70FT IN OPEN AREA.

ISSUE	CHANGE DETAIL	DATE	CHECKED	APP.

CODE	RES	CAP	DIODE	INDUCTOR	TRANSISTOR
1	10K	0.01U	CC	IN4148	CS8550
2	3K3	10MF D	E-CAP	IN4148	2SC945P
3	120K	0.01U	CC	IN4148	2SC945P
4	330	0.1UF	CC	IN4148	
5	220K	0.01U	CC	IN4148	
6	220	47PF	NPD	IN4148	
7	39K	47PF	NPD	IN4148	
8	100	0.01U	CC	IN4148	
9	5K6	47PF	NPD	IN4148	
10	39K	0.01U	CC	IN4148	
11	120K	47PF	NPD	IN4148	
12	1K	0.01U	CC	IN4148	
13		100P	NPD	IN4148	
14		/22PF	NPD	IN4148	
15				4V3	
16		10MFD	E-CAP		
17		0.1UF	CC		
18		24PF	NPD		
19					
20		XT-1	27.145MHZ		

T-1 TRANSFORMER SAME AS TTR(27MHZ) VERSION.
 18 TURN
 BH07- 834374 27MC ONLY

REVERSE LEFT FORWARD RIGHT

REVERSE FORWARD

SPIN (LEFT-HAND SIDE)

REVERSE POP (RIGHT-HAND SIDE)

(27MHZ VERSION)

02 8/4/1999.
 7/4/1999. SC-JX-0174-01
 16/03/1999.

DO NOT SCALE DRAWING	TITLE SCHEMATIC DIAGRAM		QTY	UNIT
UNLESS OTHERWISE SPECIFIC DEC ±0.1 ANGLE ±1°	MATERIAL TX SECTION	FINISH	SCALE	
GENERAL DRAFT	MODEL SLIDE, TX.	PART NO. SC-JX-0174-03		
UNLESS OTHERWISE SPECIFIC WALL THICKNESS	DRAWN BLEE 24/4/1999.	CHECKED	APPROVED	SIZE A4

Dynamic industries co. ltd.

DYNAMIC INDUSTRIES CO LTD

UNIT 2205, 22F, 57, HUNG TO RD

ENGINEERING DEPARTMENT

MODEL NO:-

MODEL NAME:- RC SKATE BOARD

DATE:- 26/4/1999.

BY: B.LEE

VERSION :- 27.145MHZ

PART LIST TX SECTION**RESISTOR**

5% 1/4W

CODE	VALUE	TYPE
R1	10K	1/4W 5%
R2	3K3	1/4W 5%
R3	120K	1/4W 5%
R4	330	1/4W 5%
R5	220K	1/4W 5%
R6	470	1/4W 5%
R7	39K	1/4W 5%
R8	100	1/4W 5%
R9	5K6	1/4W 5%
R10	39K	1/4W 5%
R11	120K	1/4W 5%
R12	1K	1/4W 5%

CAP(S)

CODE	VALUE	TYPE
C1	0.01U	CC
C2	10MFD	EC
C3	0.01U	CC
C4	0.1UF	CC
C5	0.001UF	CC
C6	47PF	CC
C7	47PF	CC
C8	0.01UF	CC
C9	47PF	CC
C10	0.01UF	CC
C11	47PF	CC
C12	0.01UF	CC

TRANSISTOR/INDUCTOR

CODE	VALUE	TYPE
C13	100PF	CC
C14	22PF	CC
C15	XXX	CC
C16	10MFD	EC
C17	0.1UF	CC
C18	24PF	CC
C19		
C20		
C21		
C22		
C23		
C24		

CODE	VALUE	TYPE
Q1	CS8050	TO-92
Q2	2SC945	TO-92
Q3	2SC945	TO-92
Q4		TO-92
Q5		TO-92
D1-D14	1N4148	DO-34
D15	4.3V ZENE	DO-34
X1	27.145MHZ	HC-49U
L-1	1.5UH	10%
L-2	2.7UH	10%
T-1	319B	7X7MM

OTHER PARTS

CODE	VALUE	TYPE
		PC BOARD 1.6MM 94HB
		ANTENNA ROD
		TX CABINET TOP
		TX CABINET BOTTOM
		TX CONTROL KNOB
		TX BATTERY DOOR
		TX TOP ANT COVER