



mip

ARCADE



6+



WARNING:
CHOKING HAZARD - Toy contains
a small ball. Not for children under 3 years.

USER MANUAL | ITEM NO.: 0842



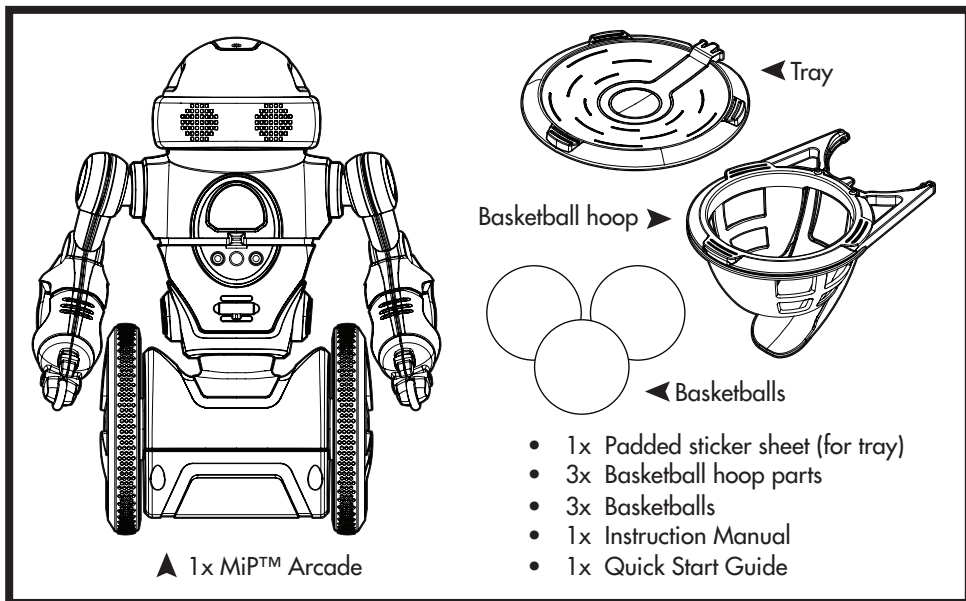
INTRODUCTION

Thank you for purchasing MiP™ Arcade by WowWee™!

Meet MiP Arcade™: the evolution of WowWee's award-winning robot that brings the game room to your home. Play, unlock and level up with screenless play OR a suite of 20+ app-enabled games. With brain train games, test your mind, memory and reflexes. With multi-player games, challenge friends and family to see who can beat the high score. This self-balancing sidekick is a robot buddy you can bond with, packed with personality and filled with top-tier tech like Bluetooth and GestureSense™ technology.

Take a few minutes to look through this user manual and get MiP™ Arcade working.

NOTE: When using MiP™ Arcade, adult supervision is required, especially when changing the batteries.



Please note the following when operating MiP™ Arcade:

- Do not immerse MiP™ Arcade or any parts in water or any other form of liquid.
- Do not drop, throw, or kick MiP™ Arcade as this may damage mechanical functions.
- Do not allow the robot to roam freely or leave unattended near edges from which MiP™ Arcade could fall.

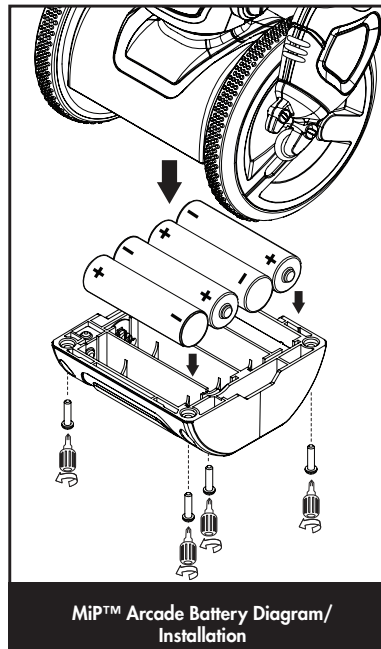
BATTERY INFORMATION

Installing or changing batteries in MiP™ Arcade:

1. To change the batteries, carefully lay MiP™ Arcade on its front. Do not place MiP™ Arcade where it could easily fall. MiP™ Arcade requires 4 x "AA" size alkaline batteries (not included).
2. Using a Phillips screwdriver (not included) remove the screws on the battery compartment cover.
3. Insert the batteries according to the diagram. Ensure that the positive and negative polarities match the illustrations inside the battery compartment.
4. Replace the battery compartment cover and tighten screws using the screwdriver. Do not over-tighten.

IMPORTANT BATTERY INFORMATION:

- Use only fresh batteries of the required size and recommended type.
- Do not mix old and new batteries, different types of batteries [standard (Carbon-Zinc), Alkaline or rechargeable] or rechargeable batteries of different capacities.
- Remove rechargeable batteries from the toy before recharging them.
- Rechargeable batteries are only to be charged under adult supervision.
- Please respect the correct polarity, (+) and (-).
- Do not try to recharge non-rechargeable batteries.
- Do not dispose of batteries into fire.
- Replace all batteries of the same type/brand at the same time.
- The supply terminals are not to be short-circuited.
- Remove exhausted batteries from the toy.
- Remove batteries if the toy is not going to be played with for some time.
- Batteries should be replaced by adults.
- Batteries should be recycled or disposed of as per state and local guidelines.
- Protect the environment by not disposing of this product with household waste. Check your local authority for recycling advice and facilities.



LOW BATTERY INDICATORS:

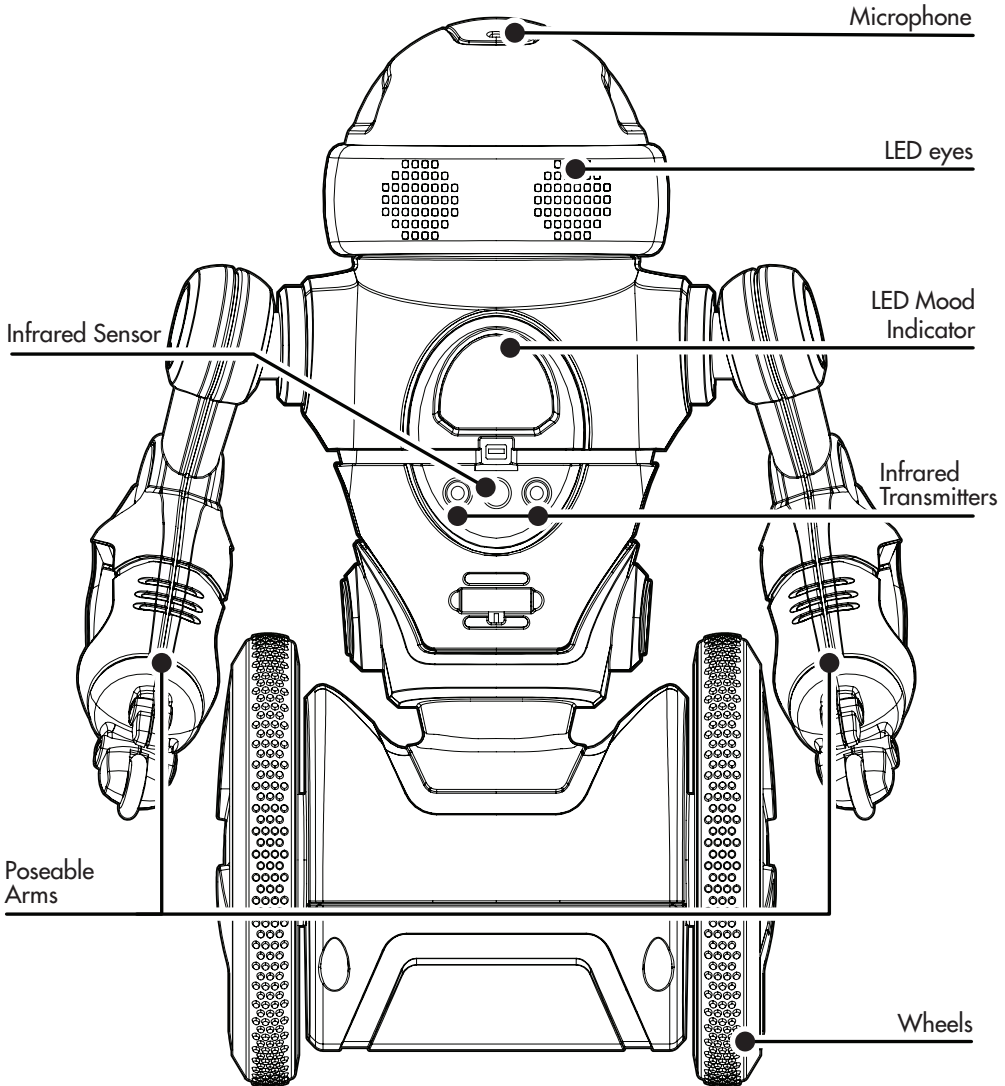
When the batteries grow weak, MiP™ Arcade will move very slowly and easily fall down while moving or turning. When this occurs, power OFF and replace all batteries.

NOTE: You will know when MiP™ Arcade's batteries are nearly depleted because it will make a low battery indication sound and then power off. You can also see current battery levels via the MiP™ Arcade App.



MiP™ ARCADE OVERVIEW

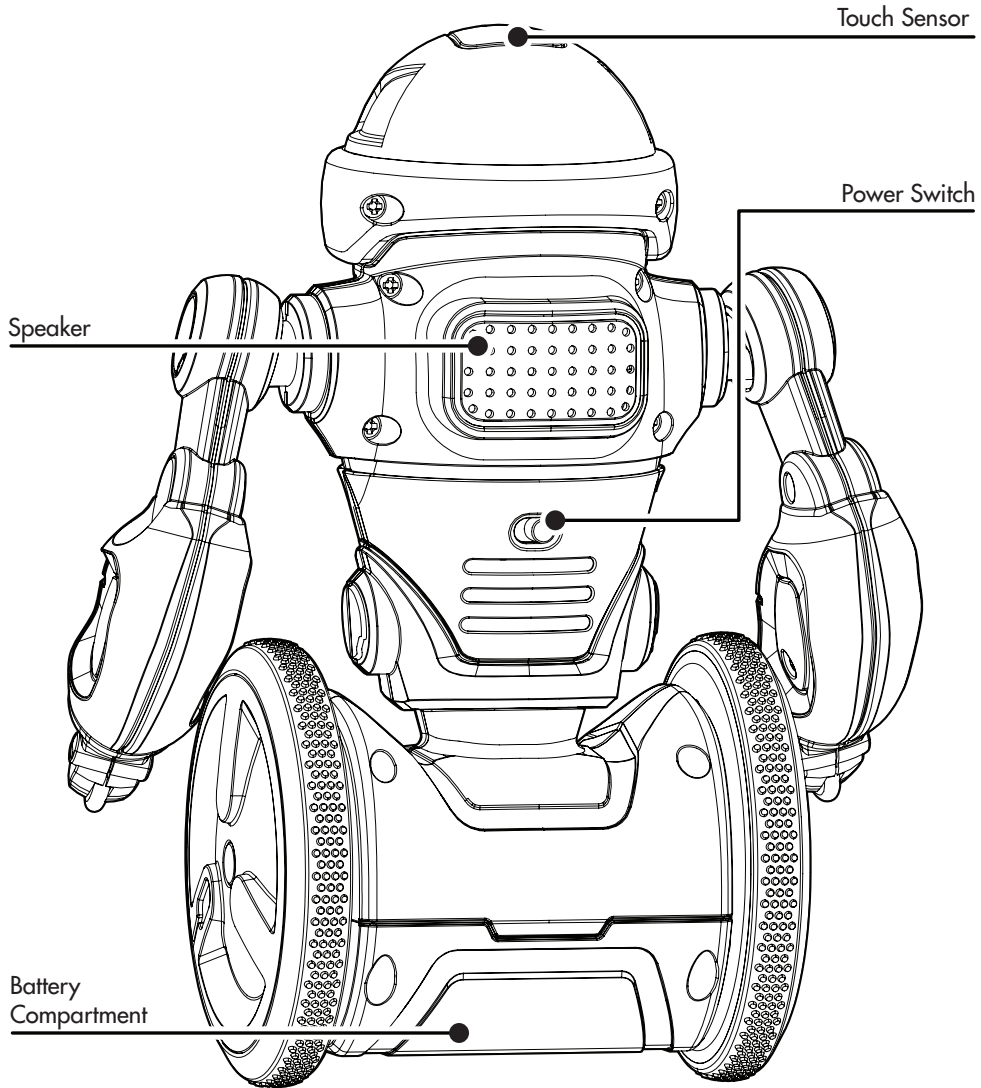
FRONT





MiP™ ARCADE OVERVIEW

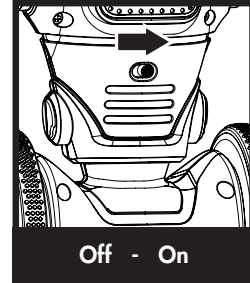
BACK



GETTING STARTED

Powering on Your MiP™ Arcade

Locate the power switch on the back of MiP™ Arcade, toggle the switch to the ON position. MiP™ Arcade will make a sound soon as it is powered on.



Chest Light Indicator

- Red - Low battery
- Green - Connected to App
- Blue - Default
- Orange - Basketball Mode
- Yellow - Tray Mode

How to Play with your MiP™ Arcade

Balancing MiP™ Arcade

Find a flat surface and place MiP™ Arcade's wheels on it. Without letting go, MiP™ Arcade will detect the surface and initiate self balance. You can let go of MiP™ Arcade as soon as you feel MiP™ Arcade has gained traction of the surface.

Default Mode

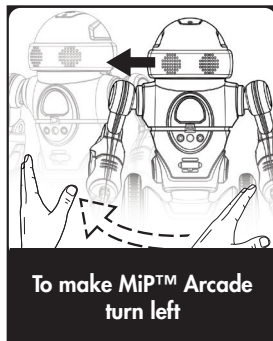
MiP™ Arcade loves to play. Pick him up, shake him, tap his head, double clap your hands to trigger a bunch of fun reactions.

Gesture Control

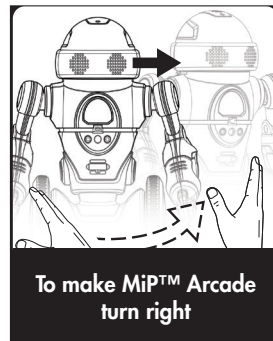
Control MiP™ Arcade with hand gestures.

Note: You can only use hand gestures to guide MiP™ Arcade in non-app modes. Ensure gestures are close to MiP™ Arcade's chest for him to detect.

Swipe Left



Swipe Right



****Dance Mode****

Double tap MiP™ Arcade's head to watch MiP™ Arcade perform a dance!

****Record Mode****

When MiP™ Arcade isn't balancing, tap MiP™ Arcade's head twice to trigger record mode. An audio signal will let you know when to begin recording (record up to 3 seconds of audio). On successful recording, you will hear your recording repeated to you.

Turn MiP™ Arcade's wheels to manipulate the playback and dance speed (while MiP™ Arcade still isn't balancing) OR Shake MiP to erase your recording.

Place MiP™ Arcade on the floor and tap head twice to watch MiP™ Arcade dance to your recording.

****Basketball Mode****

Insert basketball hoop into MiP™ Arcade's chest, MiP™ Arcade's chest LED will turn orange to indicate Basketball Mode is active.

Shoot basketballs through the hoop to score. Level up by scoring 5 baskets within 30 seconds. MiP™ Arcade will celebrate and increase level of difficulty. You will lose by failing to score 5 baskets within 30 seconds. There are a total of 3 levels. See table below for more info:

Level 1 (easy) - MiP™ Arcade will stand still

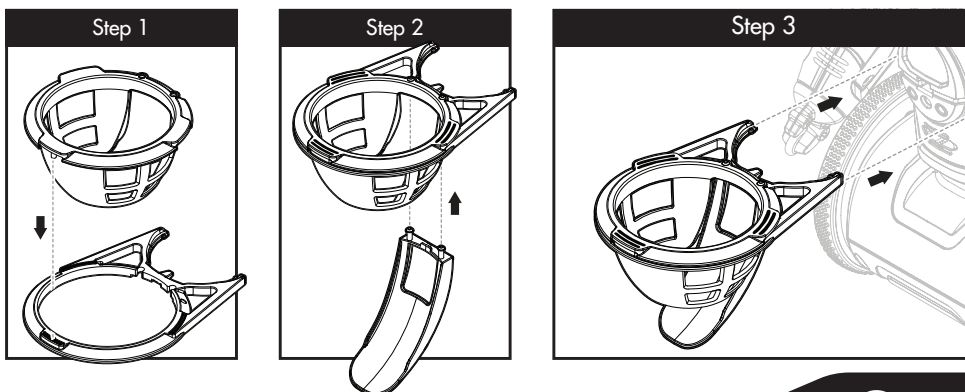
Level 2 (novice) - MiP™ Arcade will turn side to side slowly

Level 3 (expert) - MiP™ Arcade will turn side to side quickly

Keep scoring and the game will never end!

To exit Basketball Mode, simply detach hoop from MiP™ Arcade.

How to Assemble the Basketball Hoop



MODES

MiP™ ARCADE

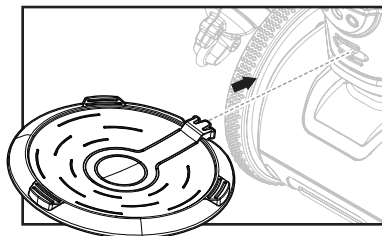
****Tray Mode****

Insert tray into MiP™ Arcade's waist. MiP™ Arcade's chest LED will turn yellow to indicate Tray Mode is active.

Balance items on MiP™ Arcade's tray and he will give you a reaction, the more you stack the more animated he gets.

When MiP™ Arcade gets bored and you've put too many things on his tray, he will try his best to shake things up!

To exit Tray Mode, carefully detach the tray from MiP™ Arcade.



NOTE:

Do not place open liquid containers on the tray. Do not place anything too heavy on the tray.

****Free Roam Mode****

When MiP™ Arcade is balancing and has been left alone for more than 1 minute, MiP™ Arcade will go into Free Roam Mode.

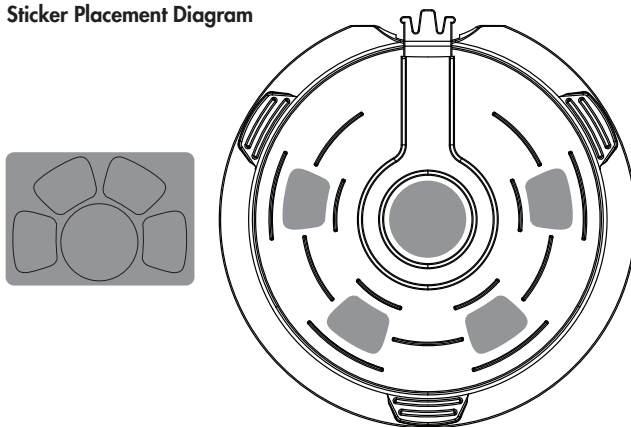
In Free Roam Mode, MiP™ Arcade will explore the immediate area and turn to avoid obstacles. MiP™ Arcade will continue to be in Free Roam Mode for up to 1 minute before going back to idle mode.

Double clap to activate Free Roam Mode manually.

****Sleep Mode****

When left idle for more than 5 minutes. MiP™ Arcade will go into sleep mode.

Sticker Placement Diagram





MODES

APP FUNCTIONALITY

APP FUNCTIONALITY

Apple® iOS and Android™ devices:

Download the MiP™ Arcade App.

MiP™ Arcade is equipped with BLE (Bluetooth® Low Energy) connectivity and can interact wirelessly with your smart device.

Please go to www.wowwee.com/devices for the list of devices that we support.

Connecting MiP™ Arcade to your device

1. Turn ON MiP™ Arcade.
2. Launch MiP™ Arcade app on your smart device
3. Select MiP™ Arcade and press connect

Note: Please ensure Bluetooth is enabled on your device to discover MiP™ Arcade.





Q & A

****Having issues with MiP™ Arcade?***

Q. The app is telling me to update MiP™ Arcade's firmware, what should I do?

A. Follow the onscreen instructions, it is important to ensure your MiP™ Arcade has relatively new batteries and not to turn off MiP™ Arcade during the update.

Q. What is MiP™ Arcade's Bluetooth range?

A. MiP™ Arcade has a Bluetooth range of up to 10 meters.

Q. Is MiP™ Arcade waterproof?

A. MiP™ Arcade is not waterproof.

Q. MiP™ Arcade's chest light is flashing red, what does this mean?

A. MiP™ Arcade is running low on battery.

If you are still experiencing difficulties with MiP™ Arcade, please see FAQ section in the app or visit support.wowwee.com for further support.





WARRANTY

WowWee™ 90-Day Limited Warranty

WowWee's warranty obligations for MiP™ Arcade (this "Product") are limited to the terms set forth below.

WowWee Group Limited ("WowWee") warrants to the original end-user purchaser that this Product will be free from defects in materials and workmanship under normal use for a period of 90 days from the date of retail purchase (the "Warranty Period"). This warranty is extended only to the original end-user purchaser of a new product that was not sold "as is".

If a defect arises:

(1) you may within 30 days from the date of retail purchase (or such other period specified by the return policies of the place of purchase) return this Product to the place of purchase, together with the original proof of purchase and either the original box or the UPC code label from the box, and this Product will be replaced or, in the event that a replacement for this Product is not available at the place of purchase, either a refund of the purchase price for this Product or a store credit of equivalent retail value will be provided; or

(2) you may after the day that is 30 days from the date of retail purchase (or such other period specified by the return policies of the place of purchase) and within the Warranty Period contact WowWee Customer Support to arrange for the replacement of this Product. In the event that a replacement for this Product is not available this Product will be replaced by WowWee with a product of equivalent or greater retail value.

Notwithstanding the foregoing terms of this warranty, WowWee reserves the right at all times, at its sole option and discretion, to refund to you the purchase price paid by you for this Product in full and final settlement of WowWee's obligations under this warranty.

A purchase receipt or other proof of the date of retail purchase and purchase price is required in order to claim the benefit of this warranty.

If this Product is replaced, the replacement product becomes your property and the replaced Product becomes WowWee's property. If the place of purchase refunds the purchase price of this Product or issues a store credit of equivalent retail value, this Product must be returned to the place of purchase and becomes WowWee's property. If WowWee refunds the purchase price of this Product, this Product must be returned to WowWee and becomes WowWee's property.

EXCLUSIONS AND LIMITATIONS

This warranty covers the normal and intended use of this Product. This warranty does not apply: (a) to damage caused by accident, abuse, unreasonable use, improper handling and care or other external causes not arising out of defects in materials or workmanship; (b) to damage caused by service performed by anyone who is not an authorized representative of WowWee; (c) to any hardware, software or other add-on components installed by the end-user; (d) if this Product has been disassembled or modified in any way; (e) to cosmetic damage, including but not limited to scratches, dents or broken plastic, or normal wear and tear.

THIS WARRANTY GIVES YOU SPECIFIC LEGAL RIGHTS AND YOU MIGHT ALSO HAVE OTHER RIGHTS THAT VARY FROM STATE TO STATE. WOWWEE'S RESPONSIBILITY FOR PRODUCT DEFECTS IS LIMITED TO THE REPLACEMENT OF THIS PRODUCT OR THE REFUND OF THE PURCHASE PRICE FOR THIS PRODUCT. ALL EXPRESS AND IMPLIED WARRANTIES, INCLUDING BUT NOT LIMITED TO ANY IMPLIED WARRANTIES AND CONDITIONS OF MERCHANTABILITY AND FITNESS FOR A PARTICULAR PURPOSE, ARE LIMITED IN TIME TO THE TERM OF THIS LIMITED WARRANTY. NO WARRANTIES, WHETHER EXPRESS OR IMPLIED, WILL APPLY AFTER THE EXPIRATION OF THE LIMITED WARRANTY PERIOD. If any term of this warranty is held to be illegal or unenforceable, the legality or enforceability of the remaining terms shall not be affected or impaired.

EXCEPT AS PROVIDED IN THIS WARRANTY AND TO THE EXTENT PERMITTED BY LAW, WOWWEE IS NOT RESPONSIBLE FOR DIRECT, SPECIAL, INCIDENTAL OR CONSEQUENTIAL DAMAGES HOWSOEVER CAUSED RESULTING FROM BREACH OF WARRANTY OR CONDITION OR UNDER ANY OTHER LEGAL THEORY, INCLUDING BUT NOT LIMITED TO LOSS OF USE. THE FOREGOING LIMITATION SHALL NOT APPLY TO DEATH OR PERSONAL INJURY CLAIMS, OR ANY STATUTORY LIABILITY FOR INTENTIONAL AND GROSS NEGLIGENT ACTS AND/OR OMISSIONS. SOME STATES DO NOT ALLOW THE EXCLUSION OR LIMITATION OF INCIDENTAL OR CONSEQUENTIAL DAMAGES, OR LIMITATIONS ON HOW LONG AN IMPLIED WARRANTY LASTS, SO THESE LIMITATIONS MIGHT NOT APPLY TO YOU.

Valid only in U.S.A."





Manufactured and distributed by ©2019 WowWee Group Limited.

Product names, designations, and logos are trademarks or registered trademarks of WowWee Group Limited. All rights reserved.

Customer Service Website: <https://support.wowwee.com>

We recommend that you retain our address for future reference.

Product and colors may vary.

Packaging printed in China.

WARNING! This product is not suitable for children under 3 years because of small parts - choking hazard.

Apple, the Apple logo, iPhone, iPad, iPad mini, iPad Air, and iPod touch are trademarks of Apple Inc., registered in the U.S. and other countries. App Store is a service mark of Apple Inc., registered in the U.S. and other countries.

Android and Google Play are trademarks of Google Inc.

Amazon and Amazon Appstore are trademarks of Amazon.com, Inc.

MADE IN CHINA.

CAUTION

Changes or modifications not expressly approved by the party responsible for compliance could void the user's authority to operate the equipment.

NOTE

This equipment has been tested and found to comply with the limits for a class B digital device, pursuant to part 15 of the FCC rules. These limits are designed to provide reasonable protection against harmful interference in a residential installation. This equipment generates, uses and can radiate radio frequency energy and, if not installed and used in accordance with the instructions, may cause harmful interference to radio communications.

However, there is no guarantee that interference will not occur in a particular installation. If this equipment does cause harmful interference to radio or television reception, which can be determined by turning the equipment off and on, the user is encouraged to try and correct the interference by one or more of the following measures:

- Reorient or relocate the receiving antenna
- Increase the separation between the equipment and receiver
- Connect the equipment into an outlet on a circuit different from that to which the receiver is connected
- Consult the dealer or experienced radio/TV technician for help

This Device complies with Part 15 of the FCC Rules. Operation is subject to the following two conditions:

- (1) This device may not cause harmful interference, and
- (2) This device must accept any interference received, including interference that may cause undesired operation.

This device contains licence-exempt transmitter(s)/receiver(s) that comply with Innovation, Science and Economic Development Canada's licence-exempt RSS(s). Operation is subject to the following two conditions:

- (1) This device may not cause interference.
- (2) This device must accept any interference, including interference that may cause undesired operation of the device.

For these purposes, the party responsible is:

WowWee USA Inc.
875 Prospect Street
Suite 204A La Jolla, CA 92037
1-800-310-3033

Frequency band(s) : 2.402 – 2.480 GHz
Maximum radio frequency power transmitted : -4.09 dBm
WowWee Group Limited declares that the product [MiP™ Arcade] is in compliance with Directive 2014/53/EU.

The full text of the EU declaration of conformity is available at the following internet address:
<http://www.wowwee.com/EUdeclaration.html>



WARNING! This equipment may experience difficulty and/or memory loss when subjected to any electrostatic discharge, radio frequency interference, or sudden power surge/interruption. The user is encouraged to reset the equipment should any of these occur.



WowWee Group Limited
Energy Plaza, 301A-C
92 Granville Road
T.S.T. East, Hong Kong

WowWee Canada Inc.
3700 Saint Patrick Street
Suite 206
Montreal, QC, H4E 1A2, Canada



0842US02TOP_I_ML

