

D

D

C

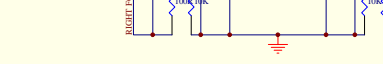
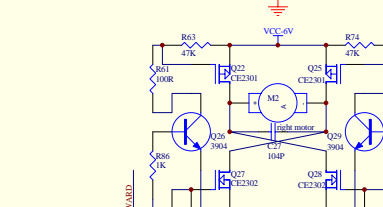
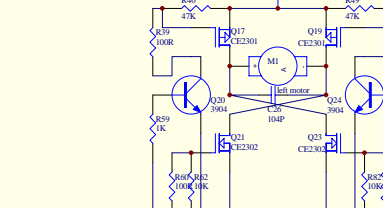
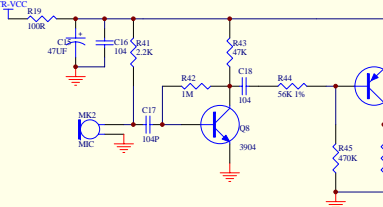
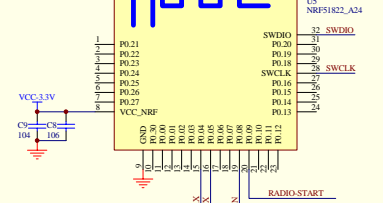
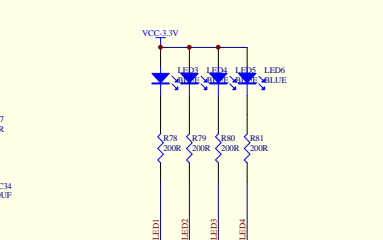
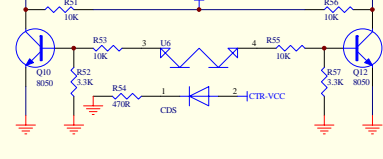
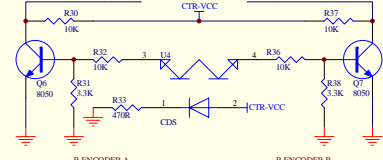
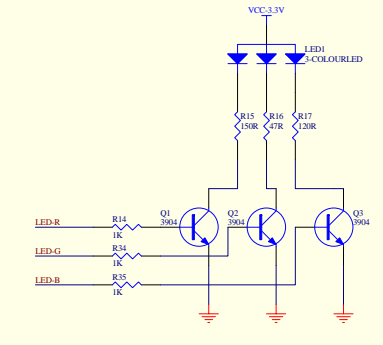
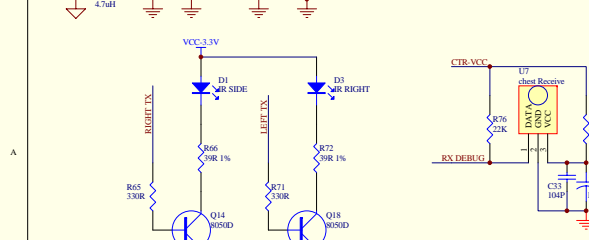
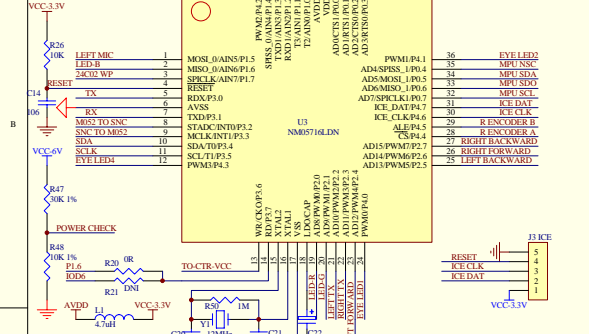
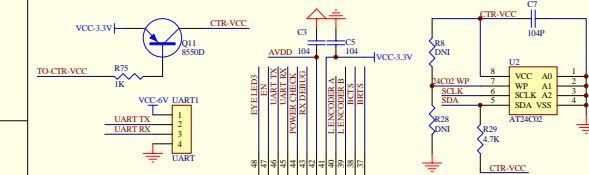
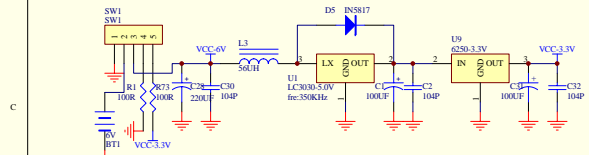
C

B

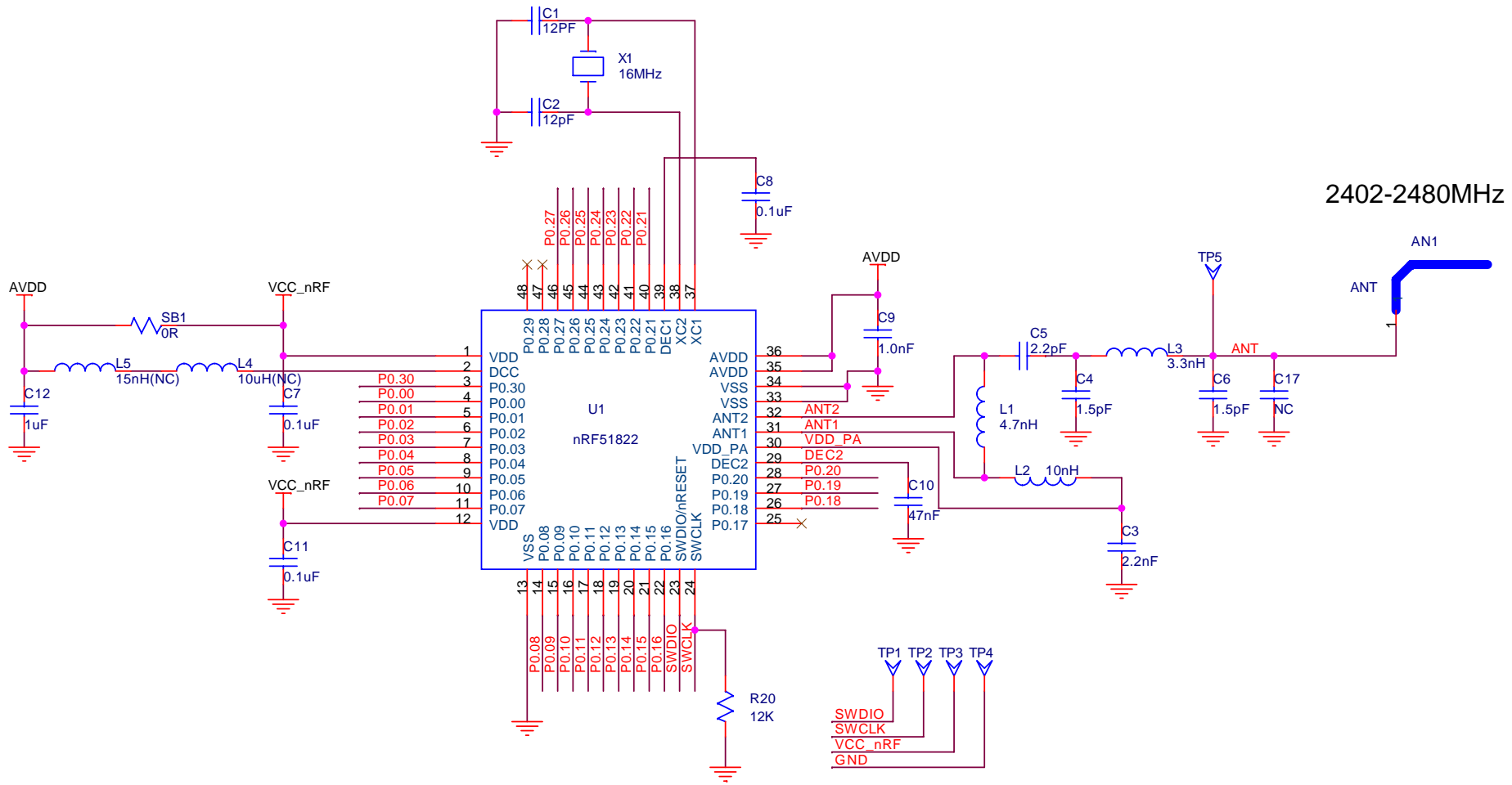
B

A

A



Title		Revision	
Size	Number		
A2			
Date	15-Apr-2015	Sheet of	
File	Eng\hw\6236-MINI-MIP-PC-BM\MINI-MIP-DATA	Drawn By	



2402-2480MHz



<b>Karin Electronic Supplies Co.,Ltd.</b>		
Title		
<b>KARIN BTLE&amp;2.4G Module</b>		
Size	Document Number	Rev
Custom	nrf51822_A24.sch	A24
Date:	Thursday, March 26, 2015	Sheet 1 of 1