

Manufactured and distributed by © 2015 WowWee Group Limited. Product names, designations, and logos are trademarks or registered trademarks of WowWee Group Limited. All rights reserved.

Customer Service Website: [www.wowweezone.com](http://www.wowweezone.com)

We recommend that you retain our address for future reference.

Product and colors may vary.

Packaging printed in China.

**WARNING!** This product is not suitable for children under 3 years because of small parts - choking hazard.

Apple, the Apple logo, iPhone, iPad, iPad mini, iPad Air, and iPod touch are trademarks of Apple Inc., registered in the U.S. and other countries. App Store is a service mark of Apple Inc., registered in the U.S. and other countries.

Android and Google Play are trademarks of Google Inc.

Amazon and Amazon Appstore are trademarks of Amazon.com, Inc.

MADE IN CHINA

#### CAUTION

Changes or modifications not expressly approved by the party responsible for compliance could void the user's authority to operate the equipment.

#### NOTE

This equipment has been tested and found to comply with the limits for a class B digital device, pursuant to part 15 of the FCC rules. These limits are designed to provide reasonable protection against harmful interference in a residential installation. This equipment generates, uses and can radiate radio frequency energy and, if not installed and used in accordance with the instructions, may cause harmful interference to radio communications.

However, there is no guarantee that interference will not occur in a particular installation. If this equipment does cause harmful interference to radio or television reception, which can be determined by turning the equipment off and on, the user is encouraged to try and correct the interference by one or more of the following measures:

- Reorient or relocate the receiving antenna
- Increase the separation between the equipment and receiver
- Connect the equipment into an outlet on a circuit different from that to which the receiver is connected
- Consult the dealer or experienced radio/TV technician for help

This Device complies with Part 15 of the FCC Rules. Operation is subject to the following two conditions:

- (1) This device may not cause harmful interference, and
- (2) This device must accept any interference received, including interference that may cause undesired operation.

This device complies with Industry Canada licence-exempt RSS-210. Operation is subject to the following two conditions:

- (1) This device may not cause interference, and
- (2) This device must accept any interference, including interference that may cause undesired operation of the device.

For these purposes, the party responsible is:

WowWee USA Inc.  
7855 Fay Avenue, Suite 310  
La Jolla CA, USA 92037  
1-800-310-3033

For more indepth instructions, please refer to [www.wowwee.com/rev](http://www.wowwee.com/rev)

For warranty information, please visit <http://www.wowwee.com/information/warranty>

**WARNING!** This equipment may experience difficulty and/or memory loss when subjected to any electrostatic discharge, radio frequency interference, or sudden power surge/interruption. The user is encouraged to reset the equipment should any of these occur.



WowWee Group Limited    WowWee Canada Inc.  
Energy Plaza, 301A-C    3700 Saint Patrick Street  
92 Granville Road    Suite 206  
T.S.T. East, Hong Kong    Montreal, QC, H4E 1A2, Canada



# R.E.V.™

## ROBOTIC ENHANCED VEHICLES



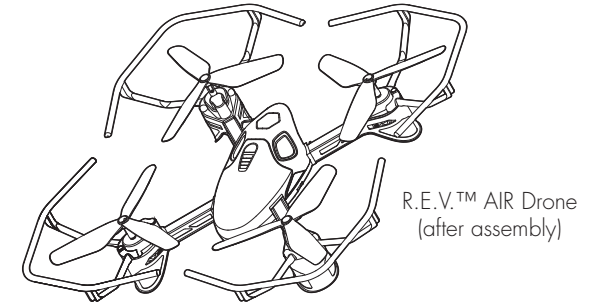
## USER MANUAL

### I. INTRODUCTION

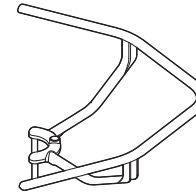
Item No. : 0442  
Age : 8+

#### Product Contents:

R.E.V.™ AIR Drone x 1  
R.E.V.™ AIR Car x 1  
USB Charging Cable x 1  
Rechargeable Battery x 1  
Prop Guards x 4  
Prop Guards Screws x 4  
Quick Start Guide x 1  
User Manual x 1



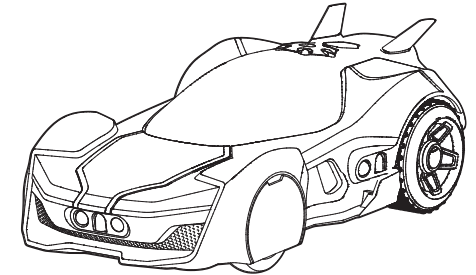
R.E.V.™ AIR Drone  
(after assembly)



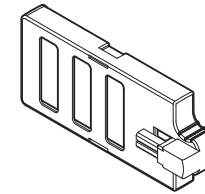
Prop Guards x 4



Prop Guard Screws x 4



R.E.V.™ AIR Car



Rechargeable Battery

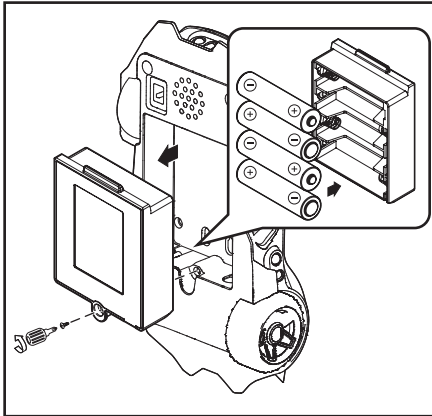


USB Charging Cable

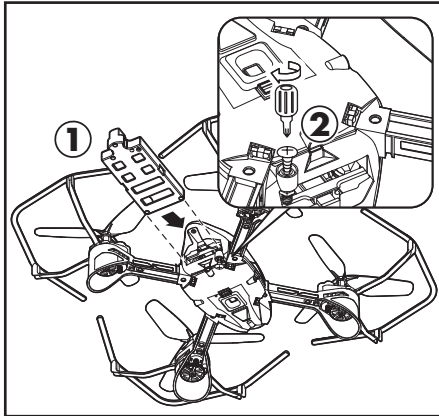
Please note the following when operating the R.E.V.™ AIR Drone or R.E.V.™ AIR Car:

- Do not immerse the R.E.V.™ AIR Drone, R.E.V.™ AIR Car, or any of its parts or accessories in water or any other form of liquid.
- Do not drop, throw, or kick the R.E.V.™ AIR Drone, R.E.V.™ AIR Car, or its accessories as this may damage mechanical functions.
- Do not leave the R.E.V.™ AIR Drone or R.E.V.™ AIR Car unattended near edges from which it could fall.

## 2. BATTERY INFORMATION



4 x "AA" Alkaline Batteries (not included)



Rechargeable Battery (included)

### R.E.V.™ AIR Car and R.E.V.™ Air Drone Battery Diagram/Installation

#### Installing or changing batteries in R.E.V.™ AIR Car:

1. Lay the R.E.V.™ AIR Car down so that the battery compartment faces upwards. The R.E.V.™ AIR Car requires 4 x "AA" size alkaline batteries (not included).
2. Using a Phillips screwdriver (not included) remove the screw on the battery compartment cover.
3. Remove any existing batteries and insert new batteries according to the diagram. Ensure that the positive and negative polarities match the illustrations inside the battery compartment.
4. Replace the battery compartment cover and tighten screw using the screwdriver. Do not over-tighten.

#### IMPORTANT BATTERY INFORMATION: (R.E.V.™ AIR Car)

- Use only fresh batteries of the required size and recommended type.
- Do not mix old and new batteries, different types of batteries [standard (Carbon-Zinc), Alkaline or rechargeable] or rechargeable batteries of different capacities.
- Remove rechargeable batteries from the toy before recharging them.
- Rechargeable batteries are only to be charged under adult supervision.
- Please respect the correct polarity, (+) and (-).
- Do not try to recharge non-rechargeable batteries.
- Do not dispose of batteries into fire.
- Replace all batteries of the same type/brand at the same time.
- The supply terminals are not to be short-circuited.
- Remove exhausted batteries from the toy.
- Batteries should be replaced by adults.
- Batteries should be recycled or disposed of as per state and local guidelines.

#### LOW BATTERY INDICATORS:

R.E.V.™ AIR Drone - When the battery grows weak, the R.E.V.™ AIR Drone will start flashing red, land automatically, and then will no longer fly. You can also see current battery levels via the R.E.V.™ AIR App. When this happens, recharge the R.E.V.™ AIR Drone as indicated in the R.E.V.™ AIR Drone Rechargeable Battery Instruction Sheet.

R.E.V.™ AIR Car - When the batteries grow weak, the R.E.V.™ AIR Car will begin to move slower than normal. When the batteries are nearly depleted, it will make a low battery indication sound and then power off. When this occurs, power OFF and replace all batteries. You can also see current battery levels via the R.E.V.™ App.

## 3. APP COMPATIBILITY

#### Apple® iOS devices:

Works with iPhone®, iPad® & iPod touch® devices running iOS 9 or later\*.

\*Devices must also support Bluetooth® Smart (also known as Bluetooth® Low Energy).

#### Android™ devices:

Works with most Bluetooth® Smart Ready (also known as Bluetooth® Low Energy) devices running Android™ 4.4.4 (KitKat) or later\*.

\*The easiest way to test compatibility before purchasing the product is to attempt to download and run the R.E.V.™ App. If your device is not compatible, Google Play™ will not allow you to see, download, or install the app.

## 4. DOWNLOADING THE APP



#### For Apple® Devices:

Go to the App Store™ and search for the WowWee "R.E.V." App. Then, click download.

#### For Android™ Devices:

Go to the Google Play™ Store or Amazon Appstore™ and search for R.E.V.™ App. Then, click download.

## 5. CONNECTING TO R.E.V.™ AIR DRONE AND R.E.V.™ AIR CAR WITH YOUR DEVICE

#### To connect R.E.V.™ AIR Drone and R.E.V.™ AIR Car with your device:

1. Turn the R.E.V.™ AIR Drone and R.E.V.™ AIR Car as instructed in the Quick Start Guide.
2. Open the R.E.V.™ App on your device.
3. Follow the on-screen instructions.

## Q & A

**Q:** Is my tablet or phone compatible with R.E.V.™?

**A:** R.E.V.™ devices can be controlled using our free apps available for compatible smart devices featuring Bluetooth® Smart technology. These apps are available on iTunes® or the Google Play™ store.

**iOS devices:** All iPhone®, iPad® and iPod® devices (excluding iPad® 2) which run iOS 9 or later are compatible.

**Android™ devices:** The app is compatible with most Bluetooth® Smart Ready (BLE) phones and tablets running Android™ 4.4.4 or later. The easiest way to test compatibility before purchasing the product is to attempt to download the R.E.V.™ App. If your device is not compatible, Google Play™ will not allow you to see, download or install the app. If the app can download, install, and run correctly on your device, we expect full compatibility.

**Q:** I cannot access Google Play™ on my Android™ device, how can I download the application?

**A:** Try downloading the application on the Amazon AppStore™. All WowWee® applications are officially provided on the Amazon™ store for users who cannot use Google Play™.

**Q:** When I try to download the R.E.V.™ app on my Android™ phone, it says it's incompatible with my device.

**A:** R.E.V.™ only works with devices which are Bluetooth® Smart Ready and running compatible operating systems.

Generally our toys are expected to be compatible with any Android™ phone or tablet that is Bluetooth® Smart Ready (also known as Bluetooth® Low Energy) and running Android™ 4.4.4 or later.

The easiest way to test R.E.V.™ app compatibility on your Android device is to attempt to download the R.E.V.™ App. If your device is not compatible, Google Play™ will not allow you to see, download, or install the app. If the app can

download, install, and run correctly on your device, we expect full compatibility.

**Q:** My R.E.V.™ device won't show up in the app when I try to connect.

**A:** Make sure your R.E.V.™ device has fresh/fully charged batteries and is turned on, then close the app and switch Bluetooth® on/off in your device settings. If you're still having problems, try restarting your device completely.

**Q:** My R.E.V.™ device disconnects often or R.E.V.™ AIR Drone automatically lands after taking off.

**A:** This is most likely caused by Bluetooth® interference. Ensure that there are no other Bluetooth® devices connected or switched on (especially audio devices), as these can cause interference which can cause issues. If you're still having problems try turning your device's WiFi off to reduce interference.

**Q:** The R.E.V.™ AIR Drone takes off, but then the motors stop running and it falls down.

**A:** Most likely the battery is flat; try recharging or swapping the Rechargeable Battery.

**Q:** Can I use R.E.V.™ without a compatible smart device?

**A:** No. R.E.V.™ can only be used together with a compatible smart device.

**Q:** The R.E.V.™ AIR Drone has trouble tracking or seems to get confused about where to fly.

**A:** Ensure that the Pod is in an open clear space indoors with line of sight to the toy. The R.E.V.™ AIR Drone will not function correctly in crowded spaces or outdoors.

For more indepth FAQ, please refer to [www.wowwee.com/rev](http://www.wowwee.com/rev)



WowWee Group Limited.

WowWee Canada Inc.

Customer Service:

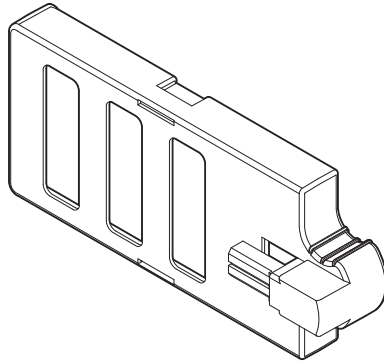
Manufactured and distributed by  
© 2015 WowWee Group Limited.  
All Rights Reserved.

Energy Plaza, 301A-C, 92 Granville Road  
T.S.T. East, Hong Kong

3700 Saint Patrick Street, Suite 206, Montreal  
QC, H4E 1A2, Canada

[www.wowweezone.com](http://www.wowweezone.com)

## R.E.V.<sup>™</sup> AIR DRONE RECHARGEABLE BATTERY INSTRUCTION SHEET



Rechargeable Battery



USB Charging Cable



### WARNING!

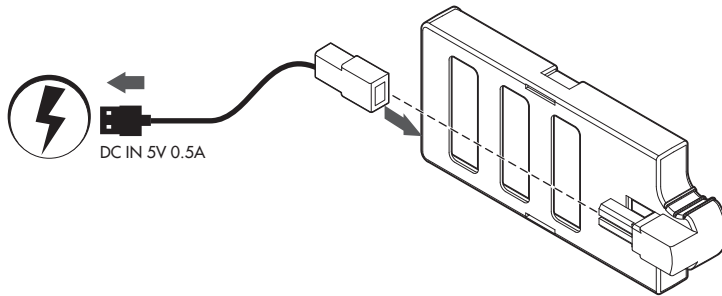
The Rechargeable Battery is only to be charged and replaced by adults.  
The Rechargeable Battery must only be used with the included USB Charging Cable.  
Parts to be cleaned are to be disconnected from the USB Charging Cable before cleaning.  
This product is intended for indoor used only.  
The product is not recommended for use on loose dirt or wet surfaces.  
Do not immerse in water. Immersing the R.E.V.<sup>™</sup> AIR Drone, Pod, Rechargeable Battery, or accessories can result in electric shock.  
Burn hazard, fire hazard, and explosion hazard associated with mishandling of the battery.  
To avoid possible hazards, do not crush, disassemble, or dispose of in fire.  
An adult should periodically check this toy to ensure no damage or hazards exist; if so, remove from use.  
Chargers used with the toy are to be regularly examined for damage to the cord, plug, enclosure and other parts, and that, in the event of such damage, the toy must not be used with charger until the damage has been repaired.

## BATTERY INFORMATION

### Recharging the R.E.V.™ AIR Drone:

1. Power off by removing the Rechargeable Battery from R.E.V.™ AIR Drone.
2. Plug the USB Charging Cable into the charging port on the Rechargeable Battery and connect to a power source as indicated in the diagram. The LED on the charger will turn red, indicating charging.
3. Once the LED on the USB Charging Cable has turned green, disconnect the cable from both the Rechargeable Battery and the power source.
4. Re-insert the Rechargeable Battery into R.E.V.™ AIR Drone.

## CHARGING



\* The R.E.V.™ AIR Drone is operated by 1 x 3.7V 750 mAh Lithium-ion rechargeable.

### For Lithium-ion Batteries:

- Charge battery in isolated area.
- Never charge battery unattended.
- Keep from flammable materials.
- Do not expose to direct sunlight.
- There is a risk of the batteries exploding, overheating, or igniting. Do not disassemble, modify, heat, or short circuit the batteries. Do not place them in fires or leave them in hot places.
- Do not drop or subject to strong impacts.
- Do not allow the Rechargeable Battery or charging contacts to get wet.
- Only use the Rechargeable Battery in the device specified by WowWee®.
- Carefully read the instruction guide, and use the Rechargeable Battery correctly.
- In the unlikely event of leakage or explosion, use sand or a chemical fire extinguisher for the battery.
- Batteries must be recycled or disposed of properly.
- Batteries should be recycled or disposed of as per state and local guidelines.

We recommend that you retain our address for future reference.

Product and colors may vary.

Packaging printed in China.

**WARNING!** This product is not suitable for children under 3 years because of small parts - choking hazard.

MADE IN CHINA



WowWee Group Limited.

Energy Plaza, 301A-C, 92 Granville Road  
T.S.T. East, Hong Kong

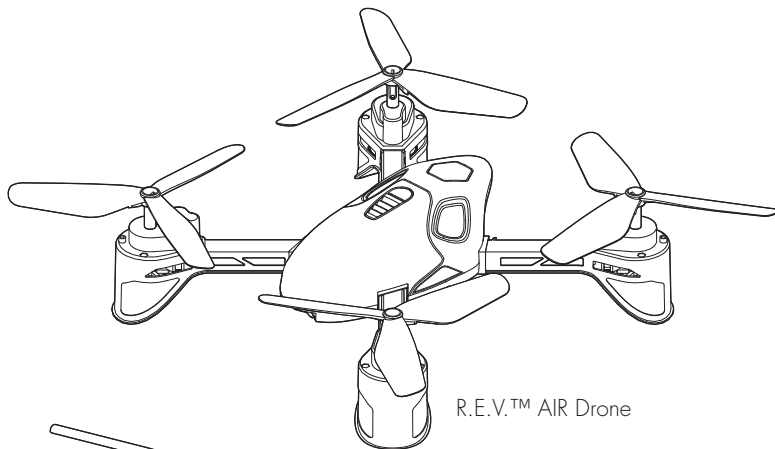
WowWee Canada Inc.

3700 Saint Patrick Street, Suite 206, Montreal  
QC, H4E 1A2, Canada

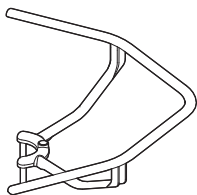
Customer Service:

[www.wowweezone.com](http://www.wowweezone.com)

## R.E.V.™ AIR DRONE PROP GUARD ASSEMBLY SHEET



R.E.V.™ AIR Drone



4 x Prop Guards



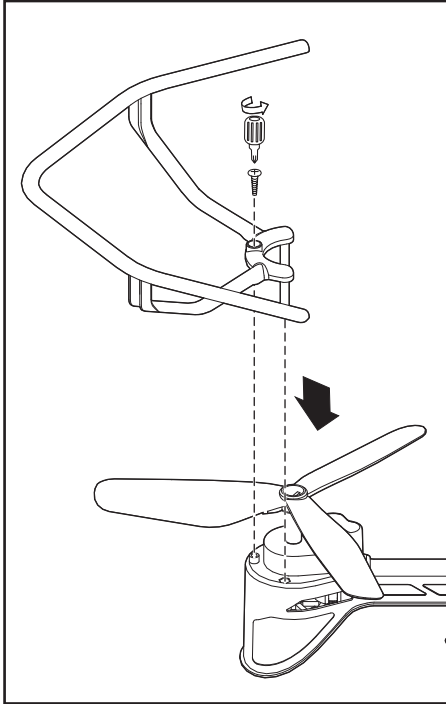
4 x Prop Guard Screws



### WARNING!

- Prop Guards **MUST** be assembled on product prior to playing.
- Assembly should be done by adults **ONLY**.
- When rotating, the R.E.V.™ AIR Drone propellers could cause injury to people, animals, and property. You should not touch the propellers when they are rotating and should wait until they have completely stopped before handling the R.E.V.™ AIR Drone.
- You should ensure that no-one is standing nearer than 1 meter (1 yard) from the R.E.V.™ AIR Drone when in operation and that at all times you keep a sufficient distance between the propellers and any person, animal, or property.
- You should keep the R.E.V.™ AIR Drone in sight at all times when operating it, in order, among others, to avoid injuries or damages to people, animals, or property.

# INSTALLATION



## Installing the Prop Guards:

1. Ensure that R.E.V.™ AIR Drone's power is OFF.
2. Align Prop Guards as indicated in the diagram. Press firmly down to secure.
3. Using a Phillips screwdriver (not included), secure the Prop Guards in place using the included screws as indicated in the diagram.
4. Repeat this process for all Prop Guards.

We recommend that you retain our address for future reference.

Product and colors may vary.

Packaging printed in China.

**WARNING!** This product is not suitable for children under 3 years because of small parts - choking hazard.

MADE IN CHINA