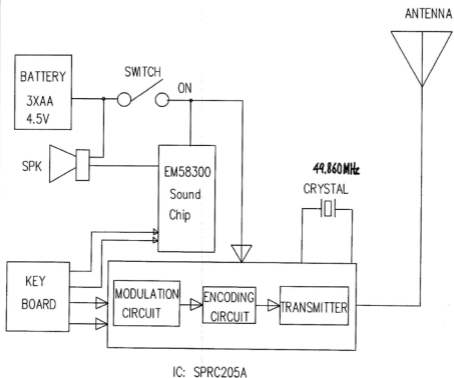


# #0302 BREAKDANCER TX BLOCK DIAGRAM



DESIGNED: FXY	DATE: 2003-10-8	EARLY LIGHT INDUSTRIAL CO.LTD		
CHECKED:	DATE:	MODE NO: #0302	PCB NO: BKD-02	REV: 00
APPROVAED:	DATE:	FILE NAME: D:\FXY\0302	PAGE: 1 OF 1	