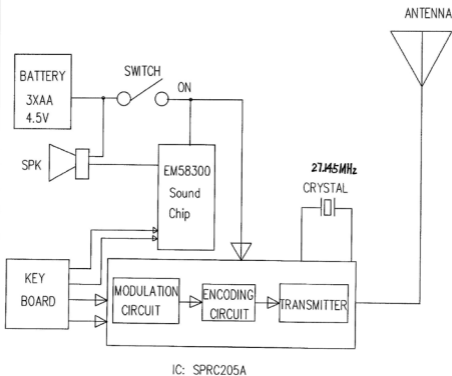


#0302 BREAKDANCER TX BLOCK DIAGRAM



IC: SPRC205A

DESIGNED: FXY DATE: 2003-10-8

CHECKED: DATE:

APPROVAED: DATE:

EARLY LIGHT INDUSTRIAL CO.LTD

MODE NO: #0302

PCB NO: BKD-02 REV: 00

FILE NAME: D:\FXY\0302

PAGE: 1 OF 1