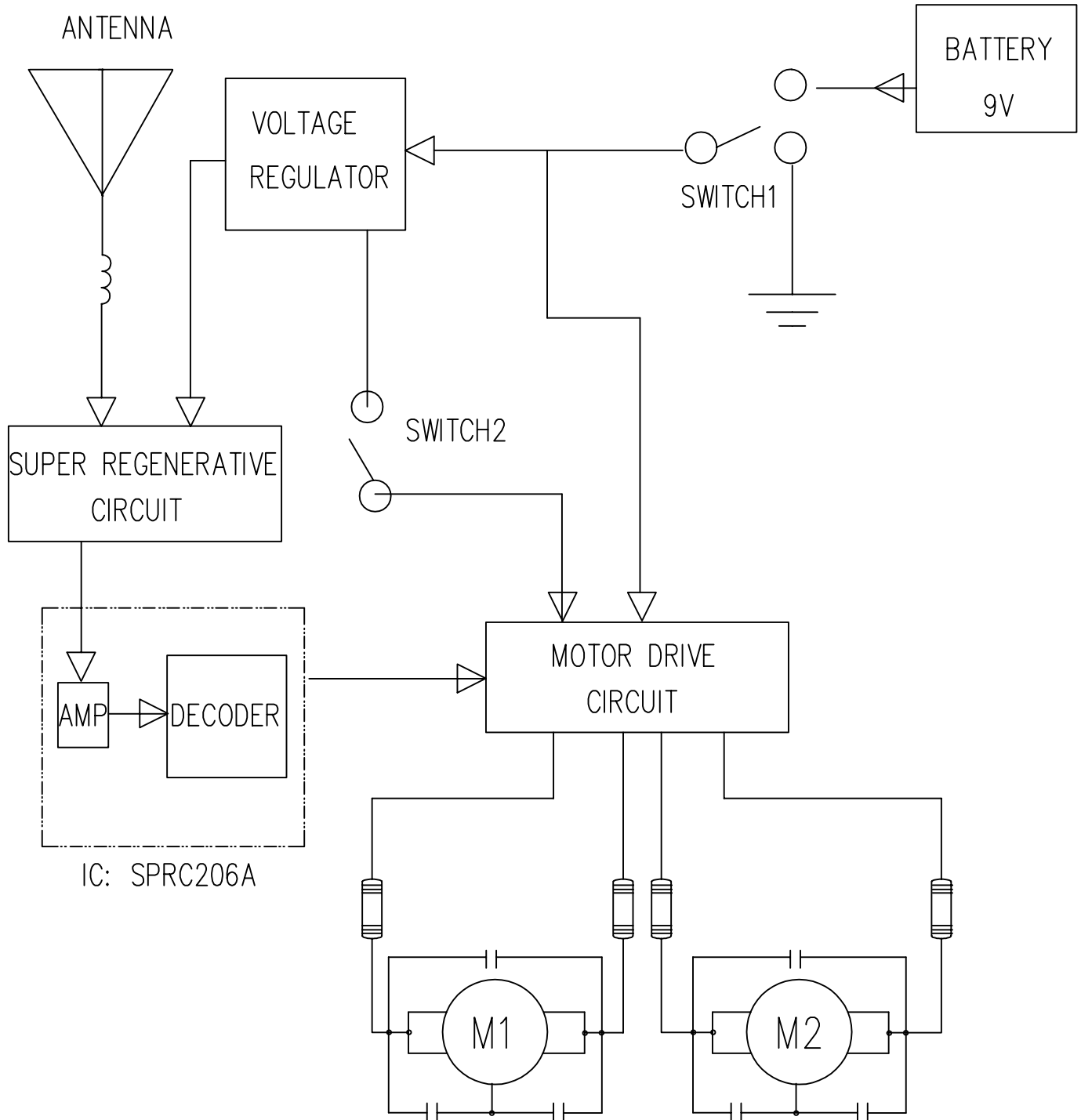


0273 49M RX BLOCK DIAGRAM



DESIGNED: WDW

DATE: 2004-5-16

EARLY LIGHT INDUSTRIAL CO.LTD

CHECKED:

DATE:

MODE NO: #0273

PCB NO: CRA-01

REV: 00

APPROVAED:

DATE:

FILE NAME: D:\WDW\CRA

PAGE: 1 OF 1