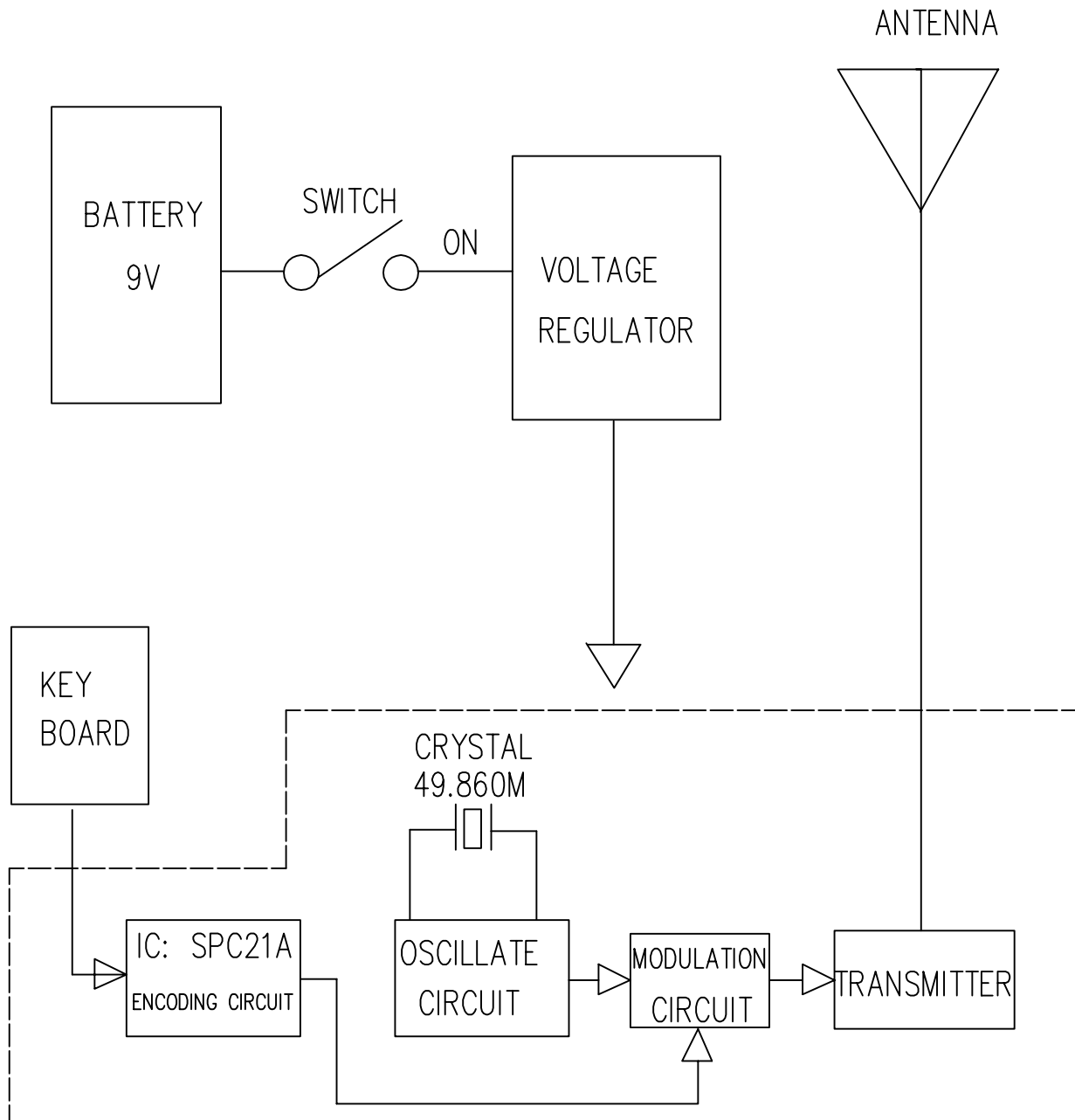




0271&0272 49M TX BLOCK DIAGRAM



DESIGNED: WDW	DATE: 2004-5-16	EARLY LIGHT INDUSTRIAL CO.LTD		
CHECKED:	DATE:	MODE NO: #0271,0272	PCB NO: CRA-02	REV: 00
APPROVAED:	DATE:	FILE NAME: D:\WDW\CRA	PAGE: 1 OF 1	