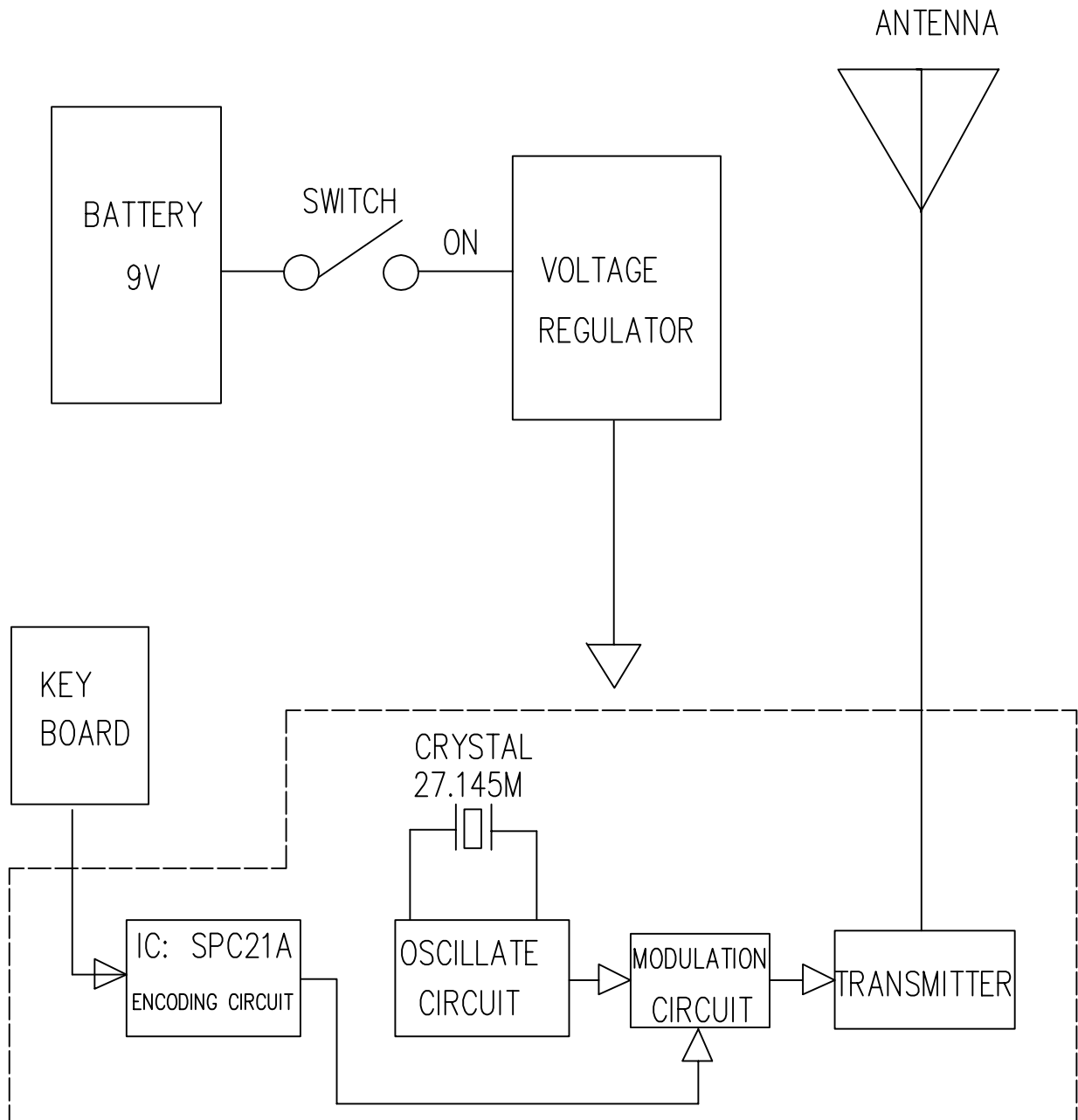




# 0271&0272 27M TX BLOCK DIAGRAM



DESIGNED: WDW

DATE: 2004-5-16

EARLY LIGHT INDUSTRIAL CO.LTD

CHECKED:

DATE:

MODE NO: #0271,0272

PCB NO: CRA-02

REV: 00

APPROVAED:

DATE:

FILE NAME: D:\WDW\CRA

PAGE: 1 OF 1