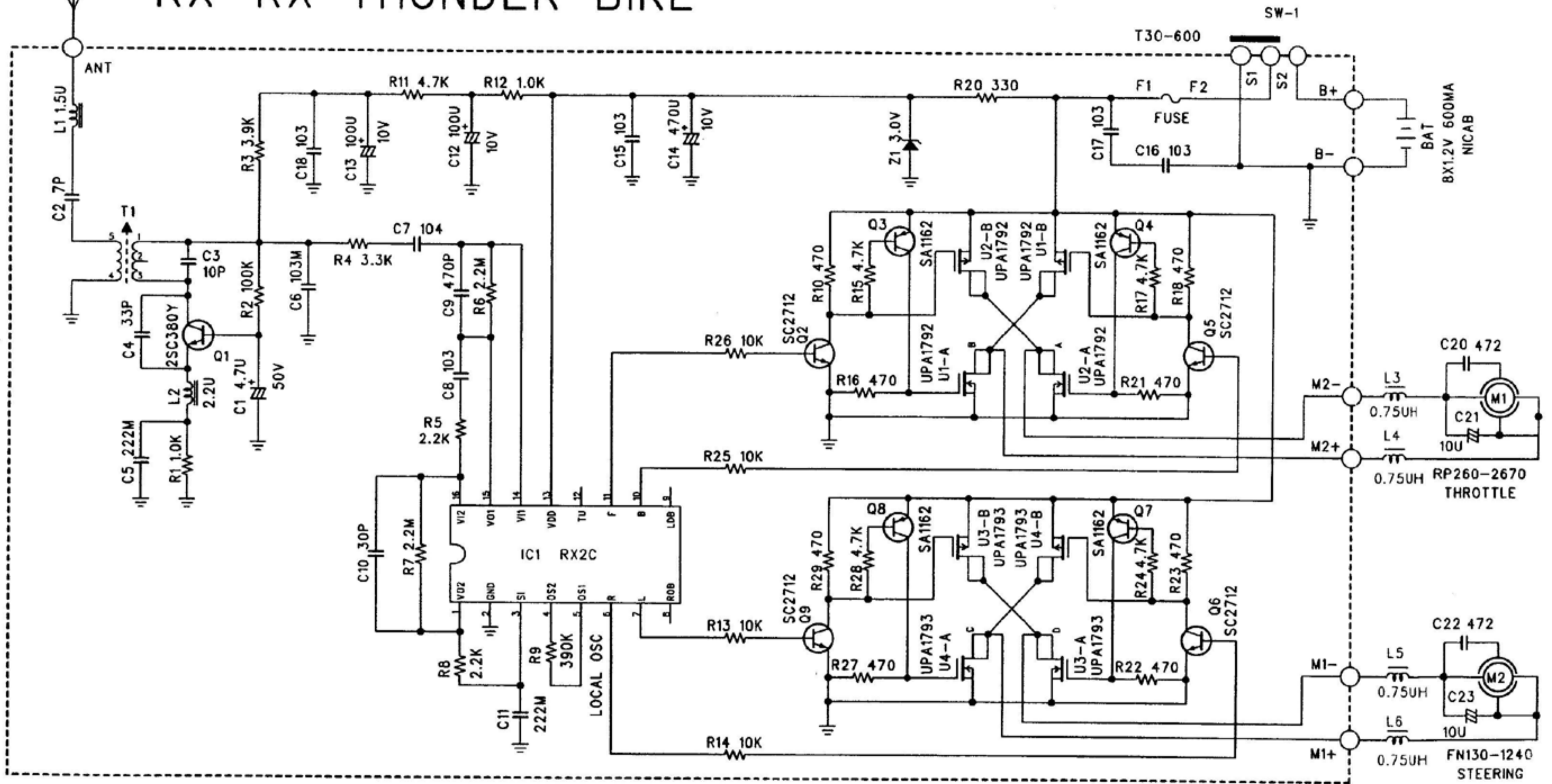
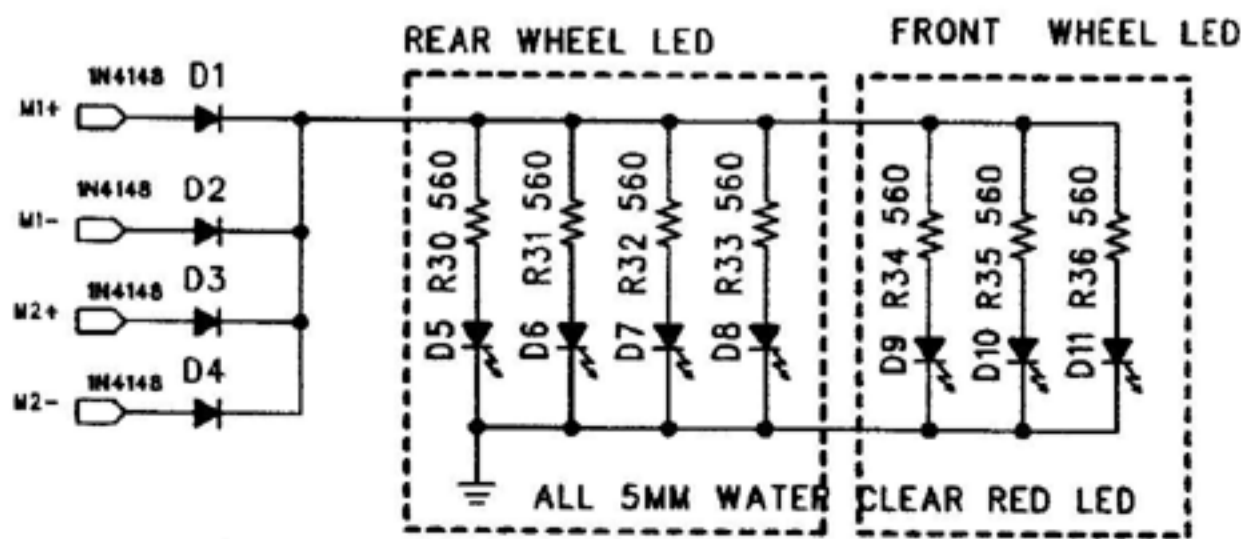


VERSION: 49.860MHZ RX-RX THUNDER BIKE



FROM



VERSION: 49.860MHZ

DRAWN: TAM	DATE: 26/2/2004	SCHEMATIC DIAGRAM		VERSION RX
CHECKED: YKY	DATE: 26/2/2004	MODEL NAME RC THUNDER BIKE	ITEM NO 0260	REV ORIG
APPROVED: BILLY	DATE: 3/3/2004	PARTS NO 412-380RX49-8601		

DYNAMIC INDUSTRIES CO. LTD