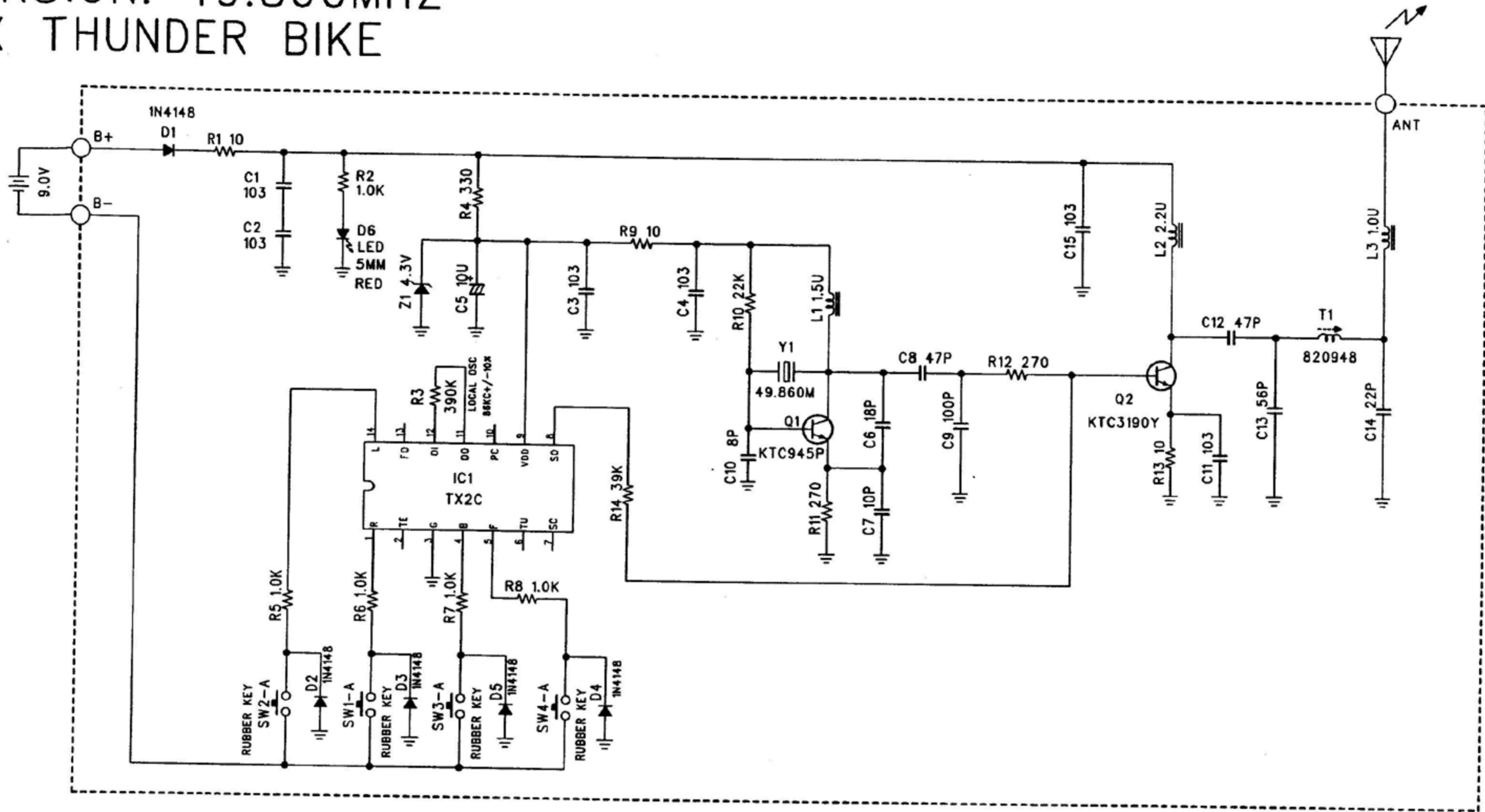


VERSION: 49.860MHZ RX THUNDER BIKE



VERSION: 49.860MHZ

DRAWN: TAM	DATE: 25/2/2004	SCHEMATIC DIAGRAM	
CHECKED: YKY	DATE: 25/2/2004	MODELNAME :- RC THUNDER BIKE	ITEM NO:- 0260
APPROVED: BILLY	DATE: 3/3/2004	PARTS CODE / NAME 412-380TX49-8601	VER. 1.0 SHEET 1 OF 1

DYNAMIC INDUSTRIES CO. LTD