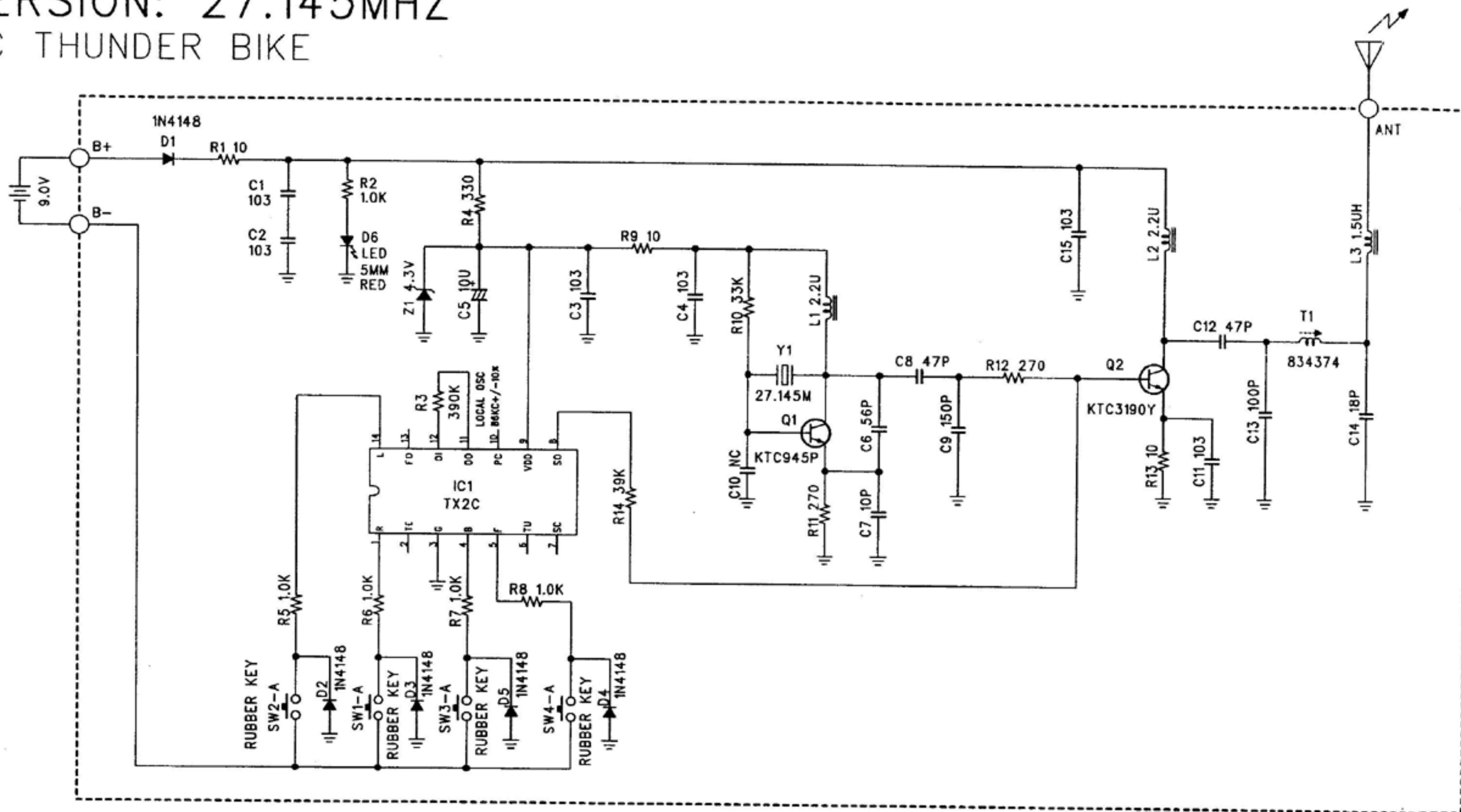


VERSION: 27.145MHZ

RC THUNDER BIKE



VERSION: 27.145MHZ

DRAWN: TAM	DATE: 25/2/2004	SCHEMATIC DIAGRAM	
CHECKED: YKY	DATE: 25/2/2004	MODEL NAME :- RC THUNDER BIKE	ITEM NO :- 0260
APPROVED: BILLY	DATE: 3/3/2004	PARTS NO :- 412-380TX27-14-01	VER. 1.0
			SHEET 1 OF 1

DYNAMIC INDUSTRIES CO. LTD