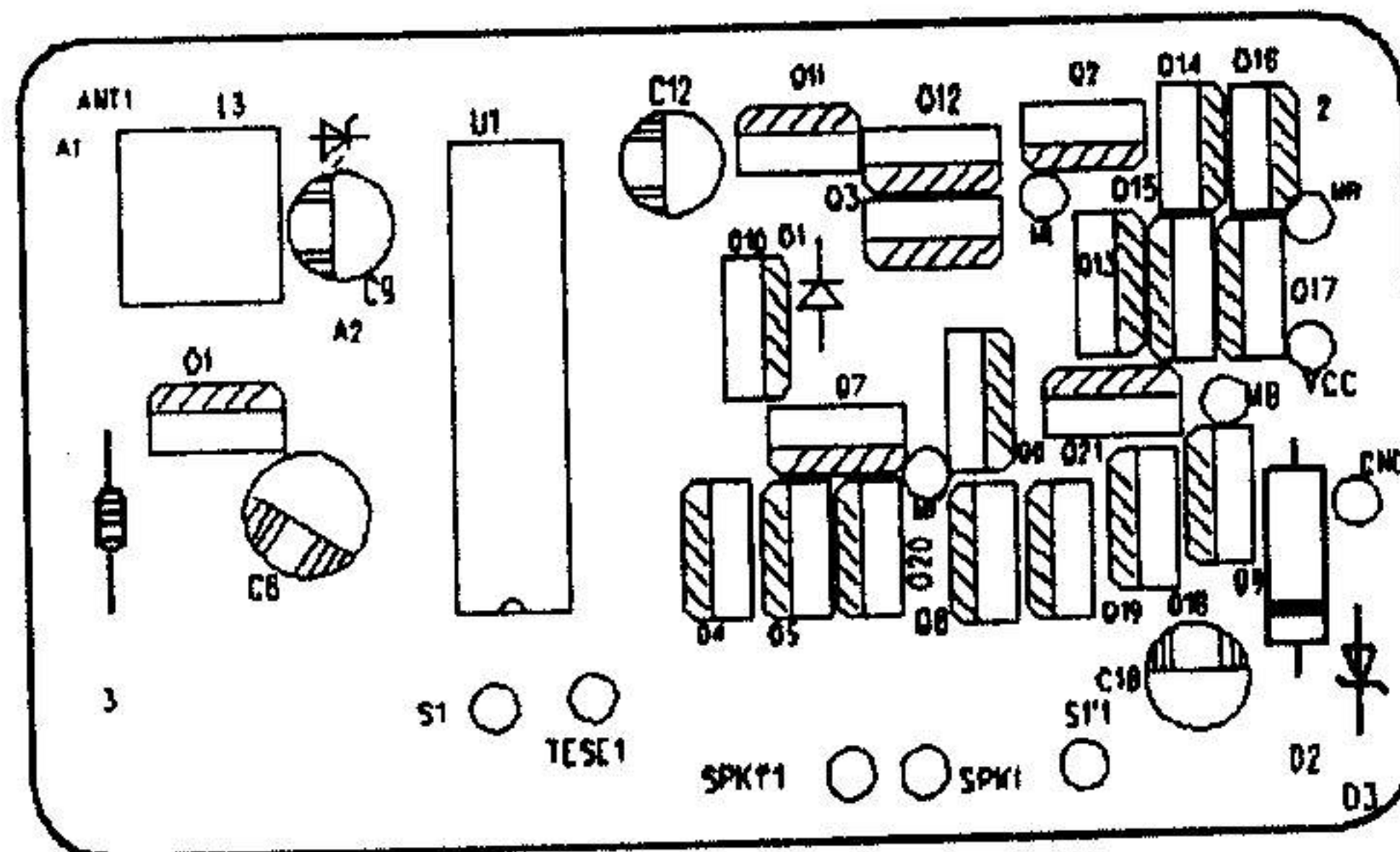


# PCB LAYOUT

MODEL NUMBER :

#0250(#0251#0252#0253) MONSTER RX01D (SCALE 1:1)

TOP SILKSCREEN:



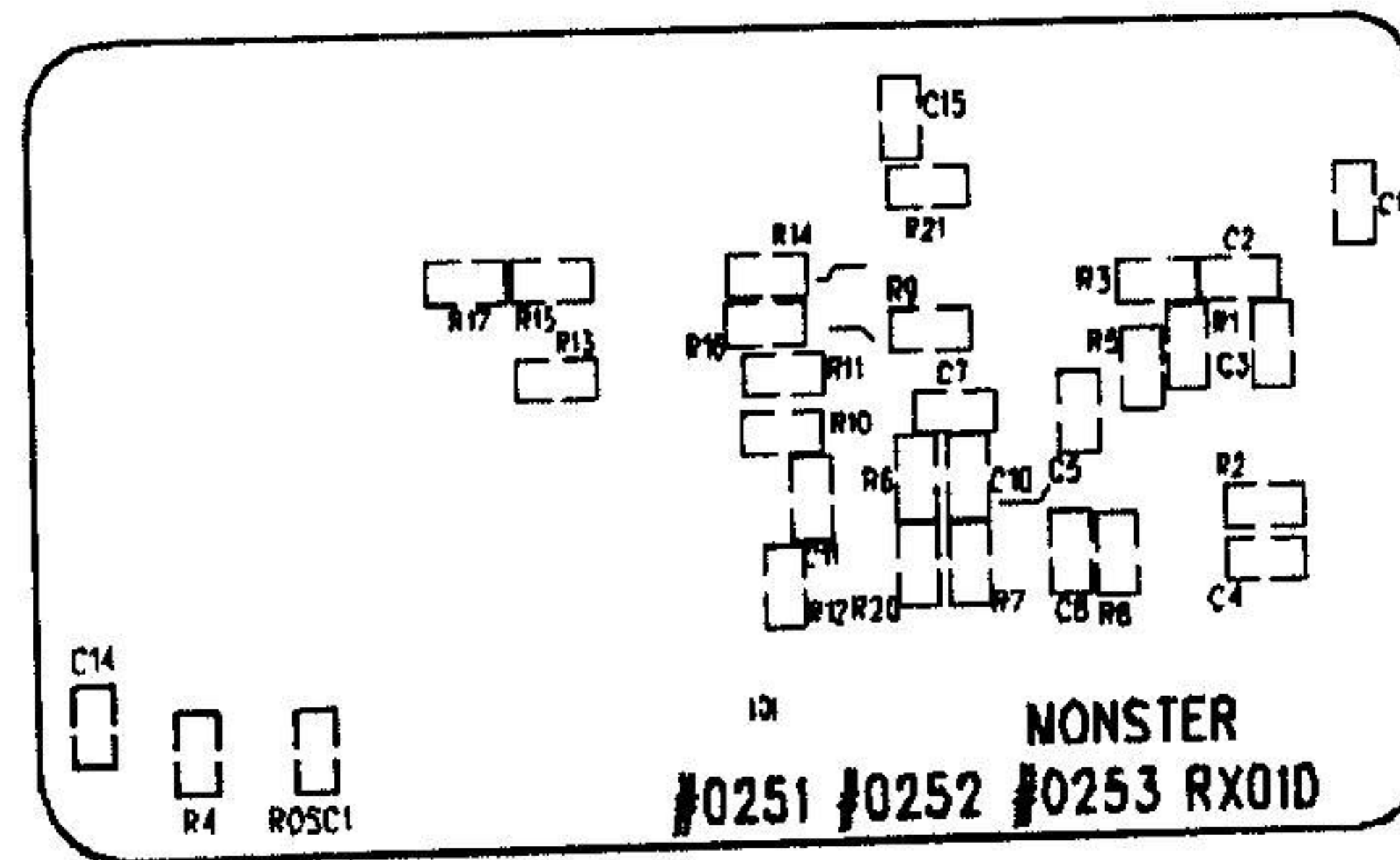
Wow Wee Industrial co.,Ltd.	
PCB FILE:#0250RX01D	SCH FILE:#0250RX01D
MATERIAL:94VO	PLATED:GOLD
THICKNESS:1.6MM	SIDE: SINGLE
DRAWN BY: H.C.Z	CARROW:NO
DATE:02-Mar-04	LAYER: SILKSCREEN-TOP

# PCB LAYOUT

MODEL NUMBER :

#0250(#0251#0252#0253) MONSTER RX01D (SCALE 1:1)

BOTTOM SILKSCREEN:



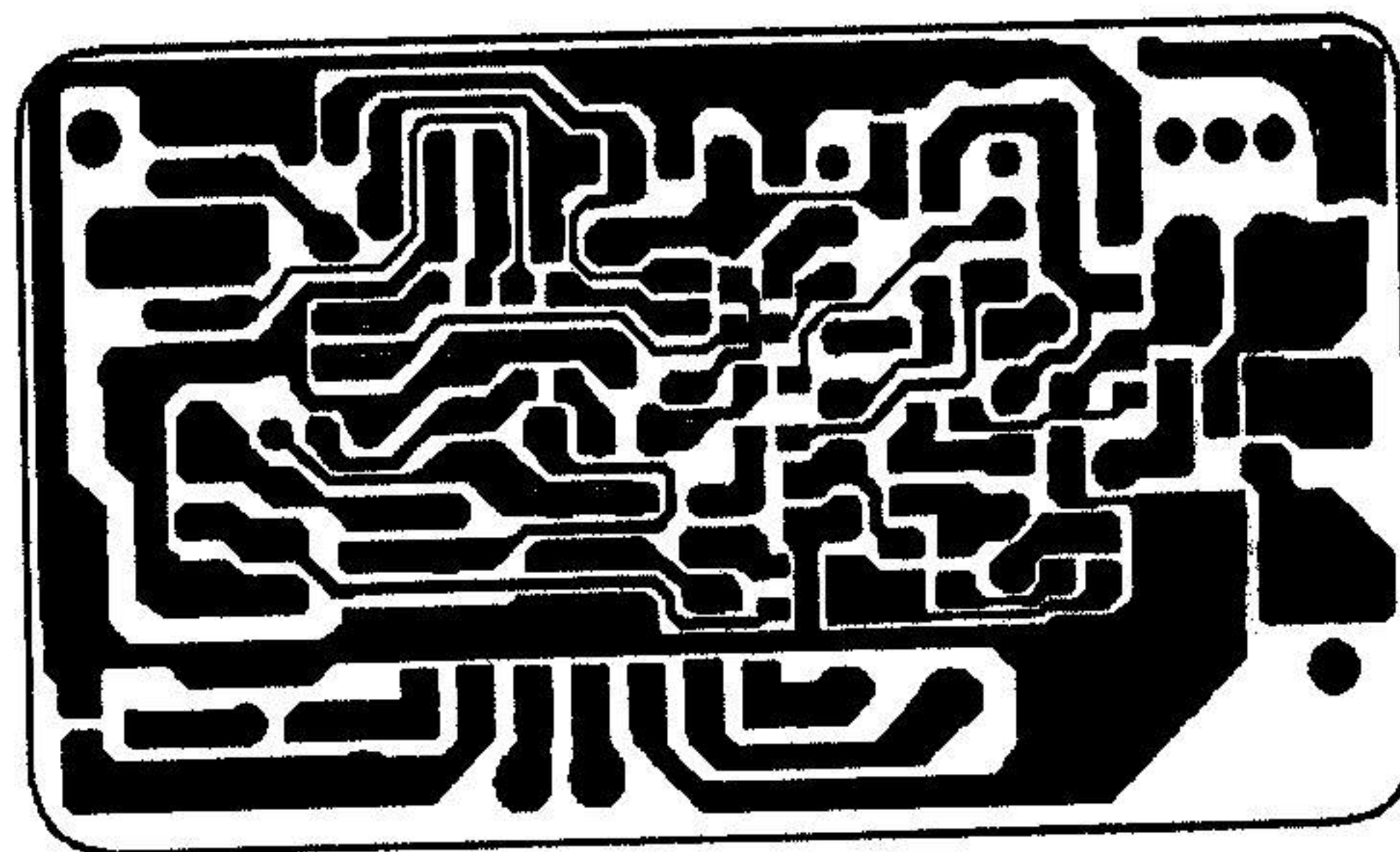
wow wee Industrial co.,Ltd.	
PCB FILE:#0250RX01D	SCH FILE:#0250RX01D
MATERIAL:94v0	PLATED:GOLD
THICKNESS:1.6MM	SIDE: SINGLE
DRAWN BY: H.C.Z	CARBOW:NO
DATE:02-Mar-04	LAYER: SILKSCREEN-BOT

# PCB LAYOUT

**MODEL NUMBER :**

**#0250(#0251#0252#0253) MONSTER RX01D (SCALE 1:1)**

**BOTTOM ROUTING:**



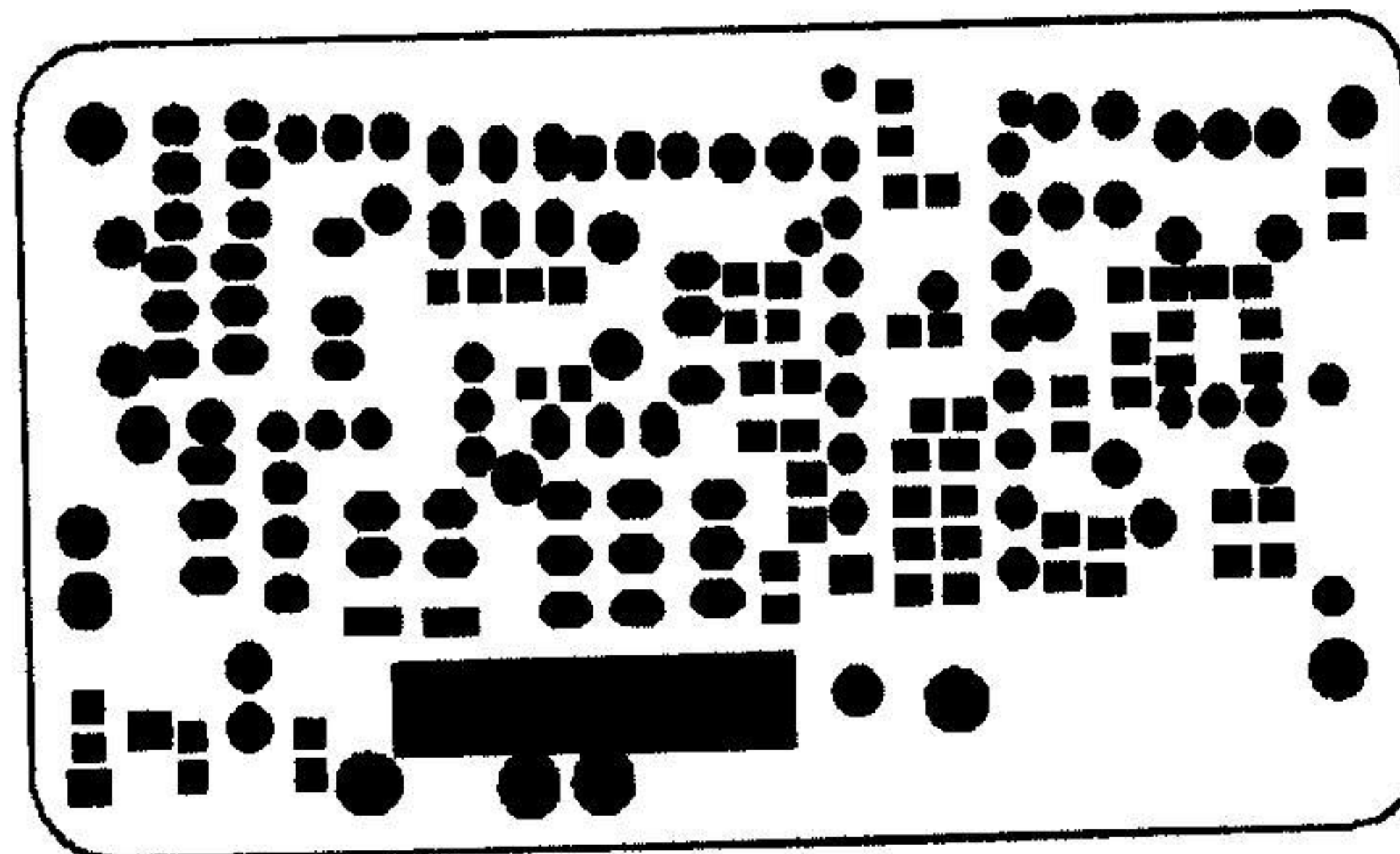
wow wee Industrial co.,Ltd.	
PCB FILE:#0250RX01D	SCH FILE:#0250RX01D
MATERIAL:94v0	PLATED:GOLD
THICKNESS:1.6MM	SIDE: SINGLE
DRAWN BY: H.C.Z	CARBOV:NO
DATE:02-Mar-04	LAYER: ROUTING-BOT

# PCB LAYOUT

**MODEL NUMBER :**

**#0250(#0251#0252#0253) MONSTER RX01D (SCALE 1:1)**

**BOTTOM SOLDER MASK:**



wow wee Industrial co.,Ltd.	
PCB FILE:#0250RX01D	SCH FILE:#0250RX01D
MATERIAL:94v0	PLATED:GOLD
THICKNESS:1.6MM	SIDE: SINGLE
DRAWN BY: H.C.Z	CARROW:NO
DATE:02-Mar-04	LAYER: SOLDE BOT

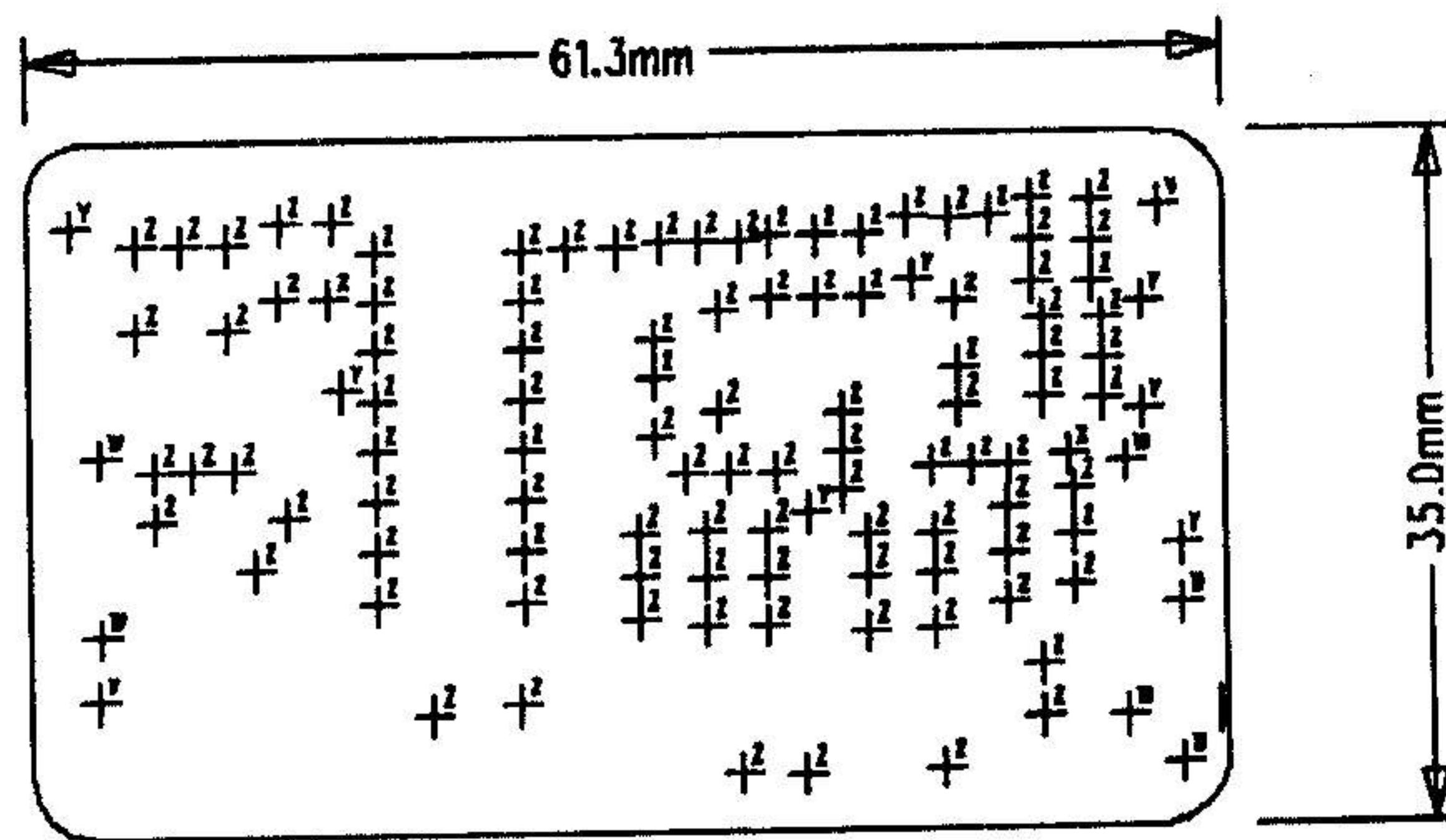
PCB LAYOUT :

MODEL NUMBER :

#0250(#0251#0252#0253) MONSTER RX01B (SCALE 1:1)

DRILL DRAWING:

SIZE	QTY	SYM	PLTD
2.4	2	V	PLTD
0.889	6	W	PLTD
1	1	X	PLTD
0.9	7	Y	PLTD
0.8	102	Z	PLTD



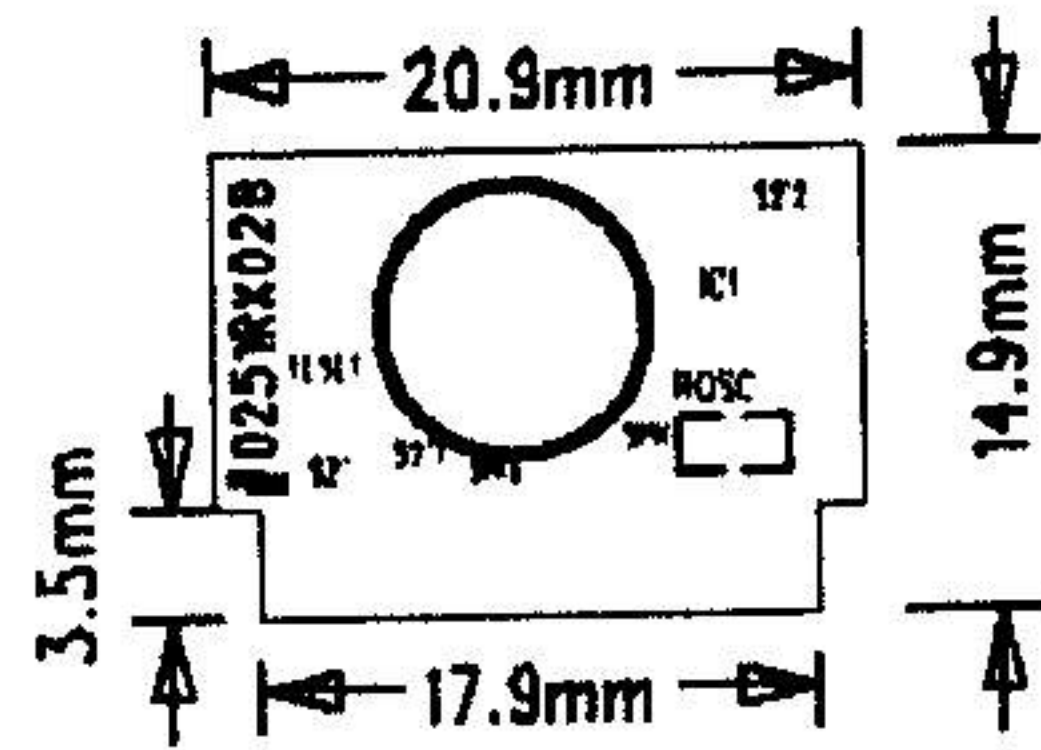
Wow Wee Industrial co.,Ltd.	
PCB FILE:#0250RX01D	SCH FILE:#0250RX01D
MATERIAL:94V0	PLATED:GOLD
THICKNESS:1.6MM	SIDE: SINGLE
DRAWN BY: H.C.Z	CARROW:NO
DATE:02-Mar-04	LAYER: DRILL

PCB LAYOUT :

MODEL NUMBER :

#0250(#0251#0252#0253) MONSTER RX02B (SCALE 1:1)

TOP SILKSCREEN:



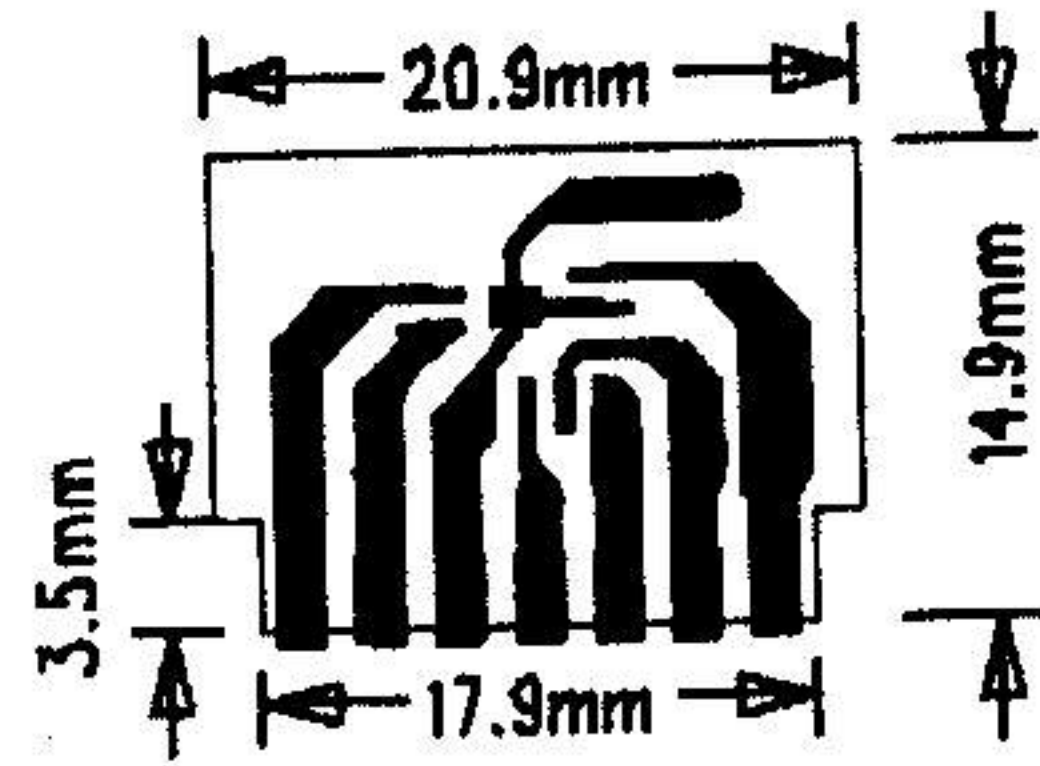
Now Wee Industrial co.,Ltd.	
PCB FILE:#0250RX02	SCH FILE:#0250RX02
MATERIAL:94VO	PLATED:GOLD
THICKNESS:1.0MM	SIDE: SINGLE
DRAWN BY: H.C.Z	CARROW:NO
DATE:02-Mar-04	LAYER: SILKSCREEN-TOP

PCB LAYOUT :

MODEL NUMBER :

#0250(#0251#0252#0253) MONSTER RX02B (SCALE 1:1)

TOP ROUTING:



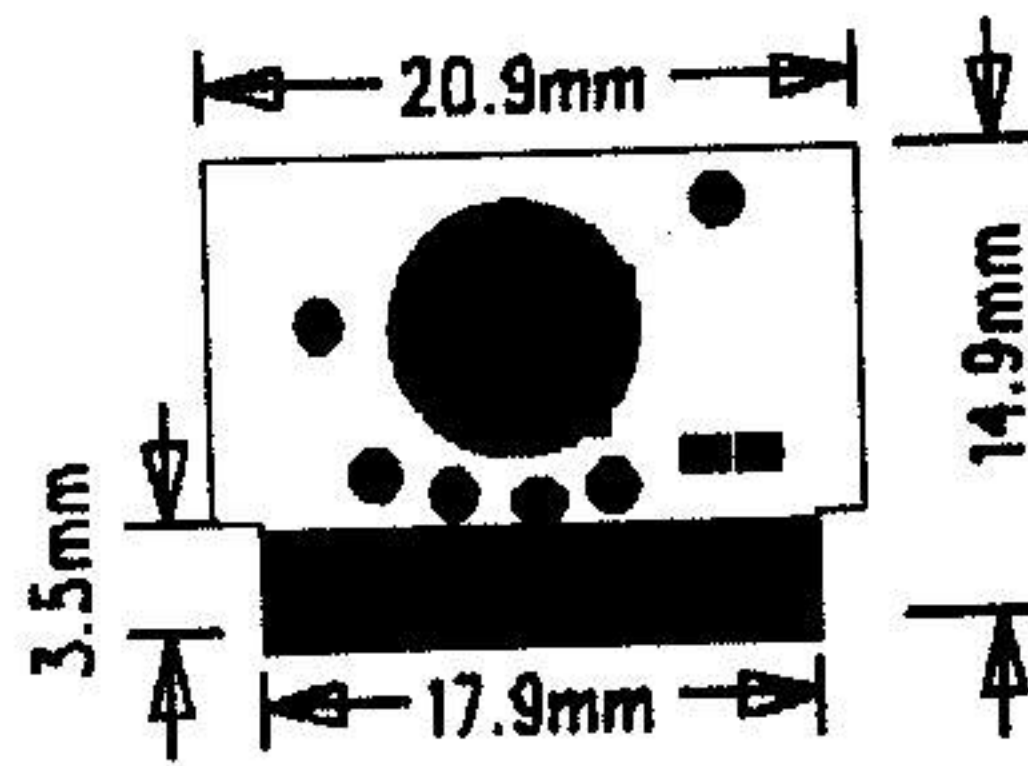
Now Wee Industrial co.,Ltd.	
PCB FILE:#0250RX02	SCH FILE:#0250RX02
MATERIAL:94VO	PLATED:GOLD
THICKNESS:1.0MM	SIDE: SINGLE
DRAWN BY: H.C.Z	CARROW:NO
DATE:02-Mar-04	LAYER: ROUTING-TOP

PCB LAYOUT :

MODEL NUMBER :

#0250(#0251#0252#0253) MONSTER RX02B (SCALE 1:1)

TOP SOLDER MASK:



Wow Wee Industrial co.,Ltd.	
PCB FILE:#0250RX02	SCH FILE:#0250RX02
MATERIAL:94VO	PLATED:GOLD
THICKNESS:1.0MM	SIDE: SINGLE
DRAWN BY: H.C.Z	CARROW:NO
DATE:02-Mar-04	LAYER: SOLDE-TOP