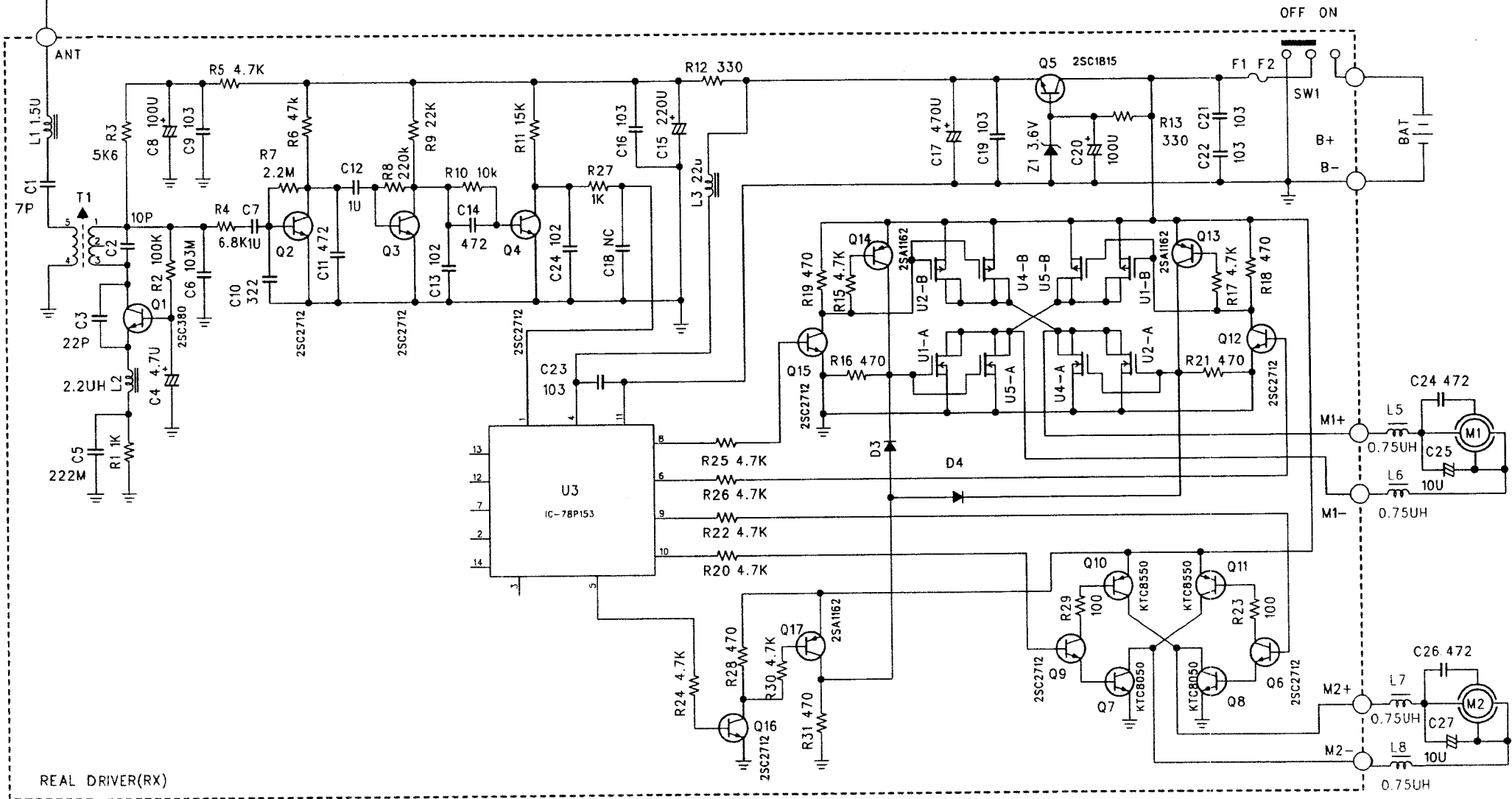


Schematic Diagram

49.82-49.90 MHz

VERSION 49.860MHZ(FCC)



DRAWN: TAM	DATE: 21/3/2005	SCHEMATIC DIAGRAM	CREATE DATE
CHECKED: YKY	DATE: 22/3/2005	MODEL CODE / NAME 050-512R4986-V1.1	VER. 1.0
APPROVED: BILLY	DATE: 23/3/2005	PARTS CODE / NAME 050-512R01	SHEET 1 OF 1
DYNAMIC INDUSTRIES CO. LTD.			