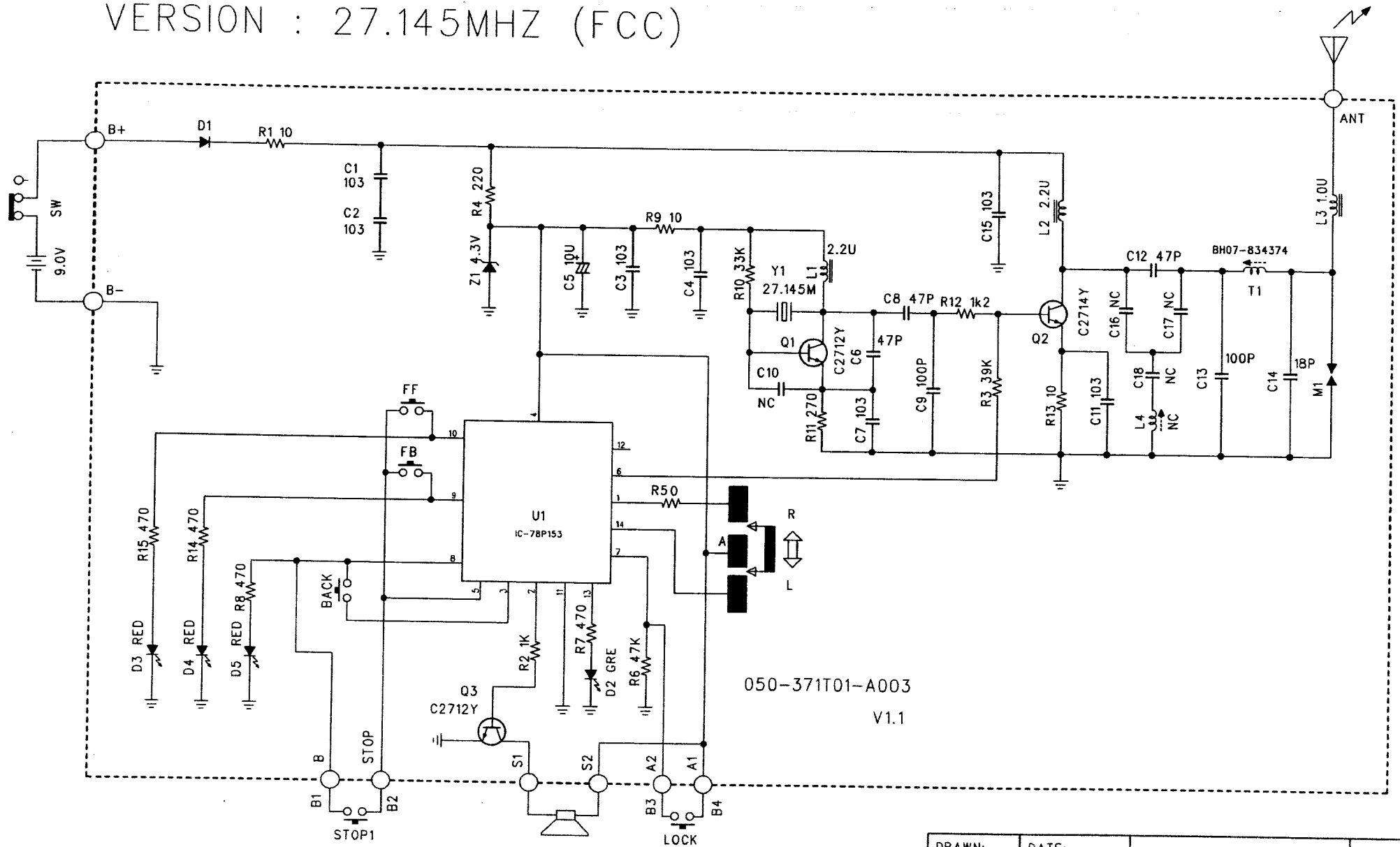


Schematic Diagram

26.96-27.28 MHz

VERSION : 27.145MHZ (FCC)



050-371T01-A003
V1.1

DRAWN: TAM	DATE: 10-07-2004	SCHMATIC DIAGRAM	CREATE DATE
CHECKED: YKY	DATE: 10-07-2004	MODEL CODE / NAME REAL DRIVER	VER. 1.0
APPROVED: BILLY	DATE: 10-07-2004	PARTS CODE / NAME 050-371R27-A003 V1.0	SHEET 1 OF 1

DYNAMIC INDUSTRIES CO. LTD