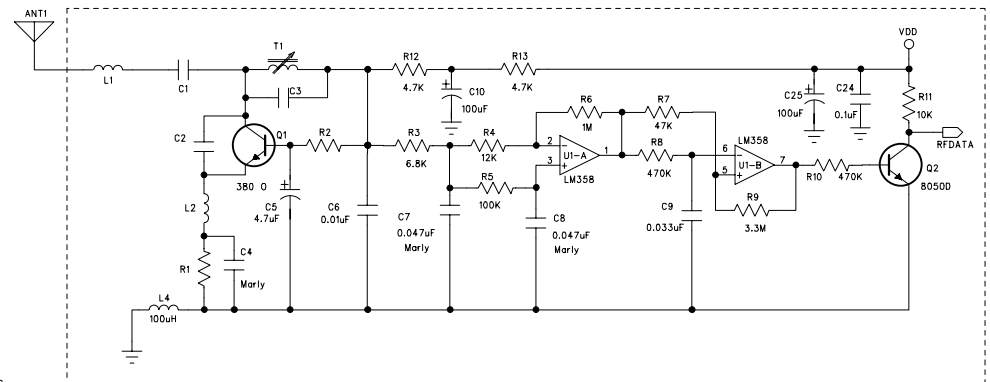


REVISION RECORD			
LTR	ECO NO:	APPROVED:	DATE:

NOTE:"C1;C2;C3" USED NPO CAPACITOR

	L1	L2	C1	C2	C3	C4	R1	R2	T1
27.145MHZ	3.3uH	5.6uH	10pF	56pF	15pF	0.0033uF	680R	150K	1.24uH
40.680MHZ	2.2uH	4.7uH	4.7pF	39pF	27pF	0.0022uF	680R	200K	0.43uH
49.860MHZ	2.2uH	2.2uH	2.2pF	39pF	12pF	0.0022uF	1k	200K	0.43uH

RF

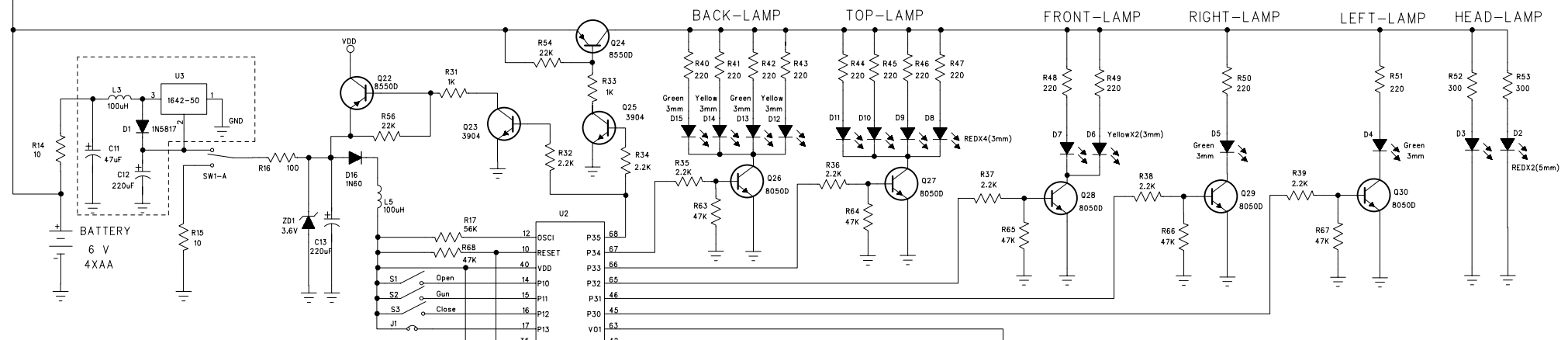


D

D

C

C

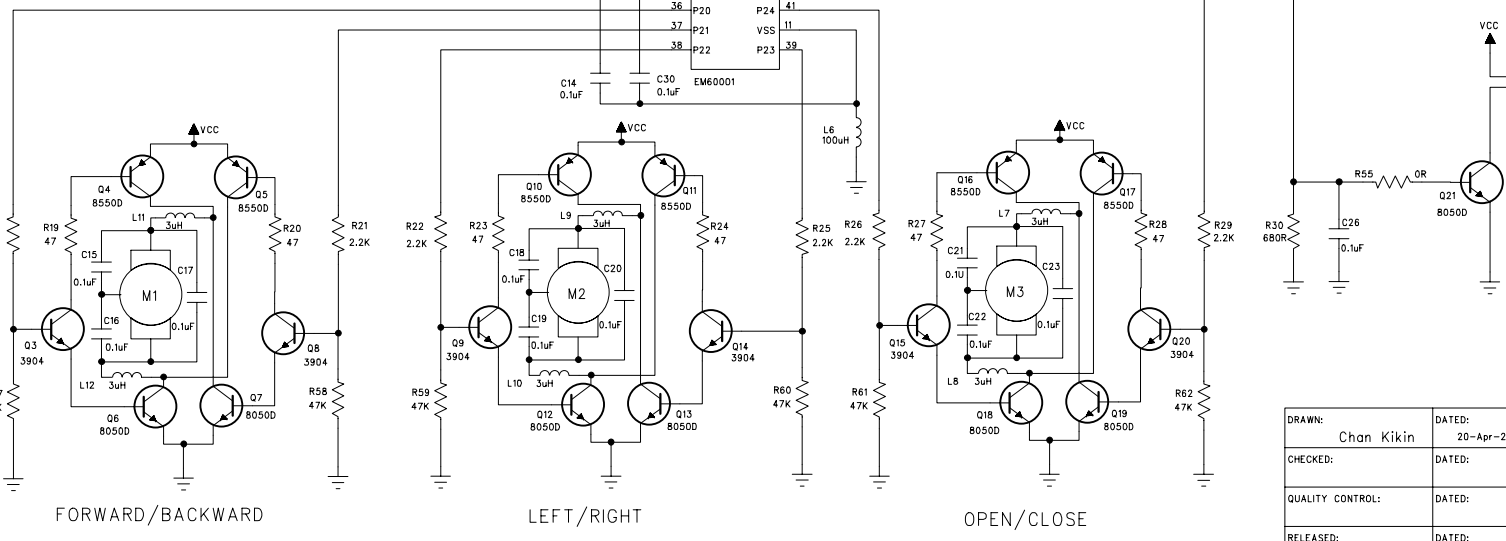


B

B

A

A



COMPANY: Early Light Industrial Co., Ltd

TITLE: Spy Hunter Car(RX)

DRAWN: Chan Kikin	DATED: 20-Apr-2004	CODE:	SIZE: A2	DRAWING NO:	REV: FEP
CHECKED:	DATED:	SCALE:	SHEET: 1 OF 1		
QUALITY CONTROL:	DATED:				
RELEASED:	DATED:				