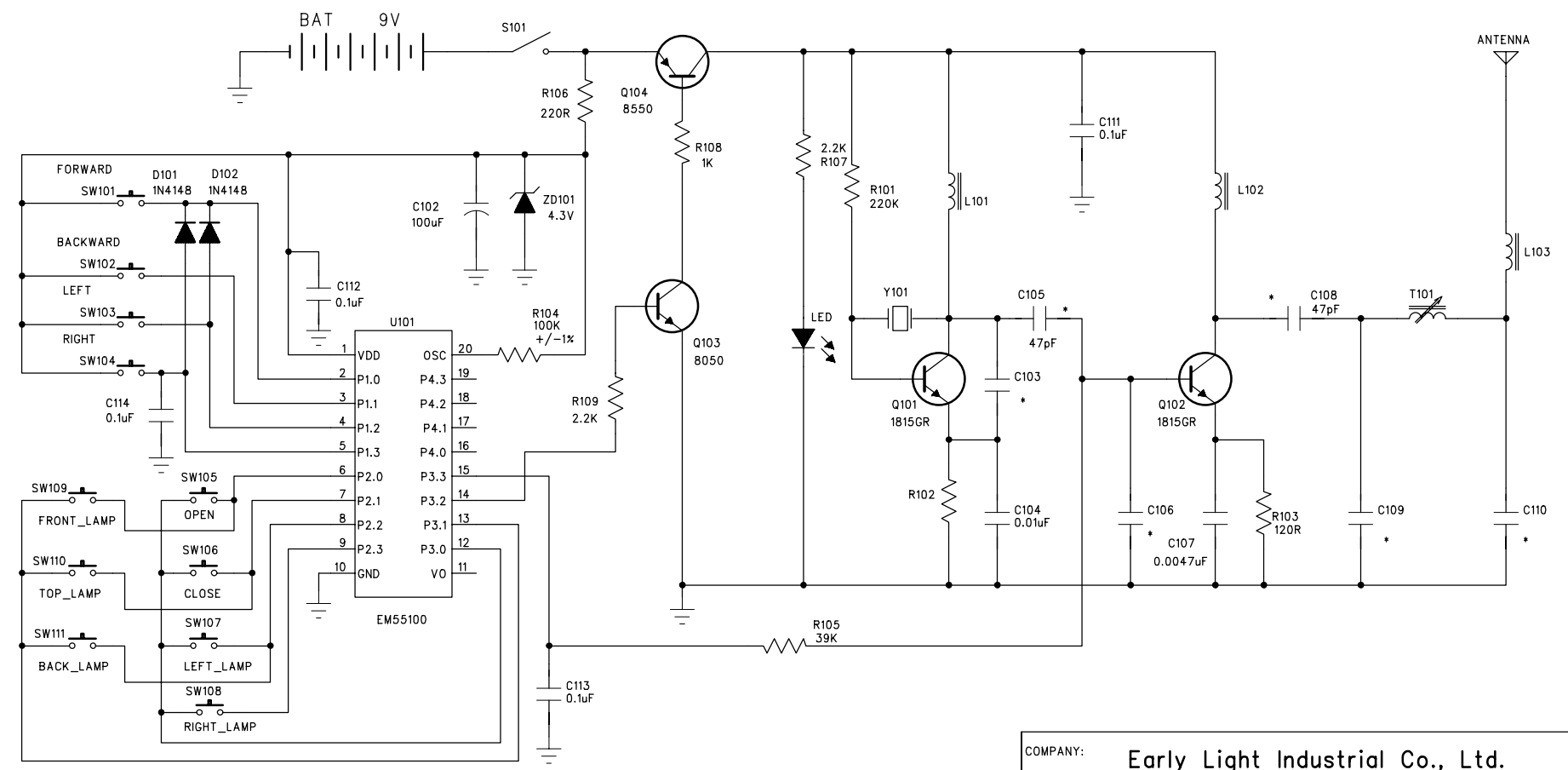


6 5 4 3 2 1

REVISION RECORD			
LTR	ECO NO:	APPROVED:	DATE:



	Y101	R102	C103	C106	C109	C110	L101	L102	L103	T101
27.145MHz	27.145MHz	220R	100pF	330pF	100pF	20pF	1.5uH	2.2uH	3.3uH	1.6uH
40.685MHz	40.685MHz	220R	56pF	100pF	100pF	22pF	1uH	1uH	1.5uH	0.7uH
49.860MHz	49.860MHz	100R	33pF	220pF	56pF	22pF	1uH	2.2uH	1uH	0.7uH

NOTE: " * " USED NPO CAPACITOR

COMPANY: Early Light Industrial Co., Ltd.			
TITLE: Spy Hunter - TX			
DRAWN: Chan Kikin	DATED: 20-Apr-2004	CODE:	REV: FEP
CHECKED:	DATED:	SIZE: A3	DRAWING NO:
QUALITY CONTROL:	DATED:	SCALE:	SHEET: 1 OF 1
RELEASED:	DATED:		

D
C
B
A

D
C
B
A