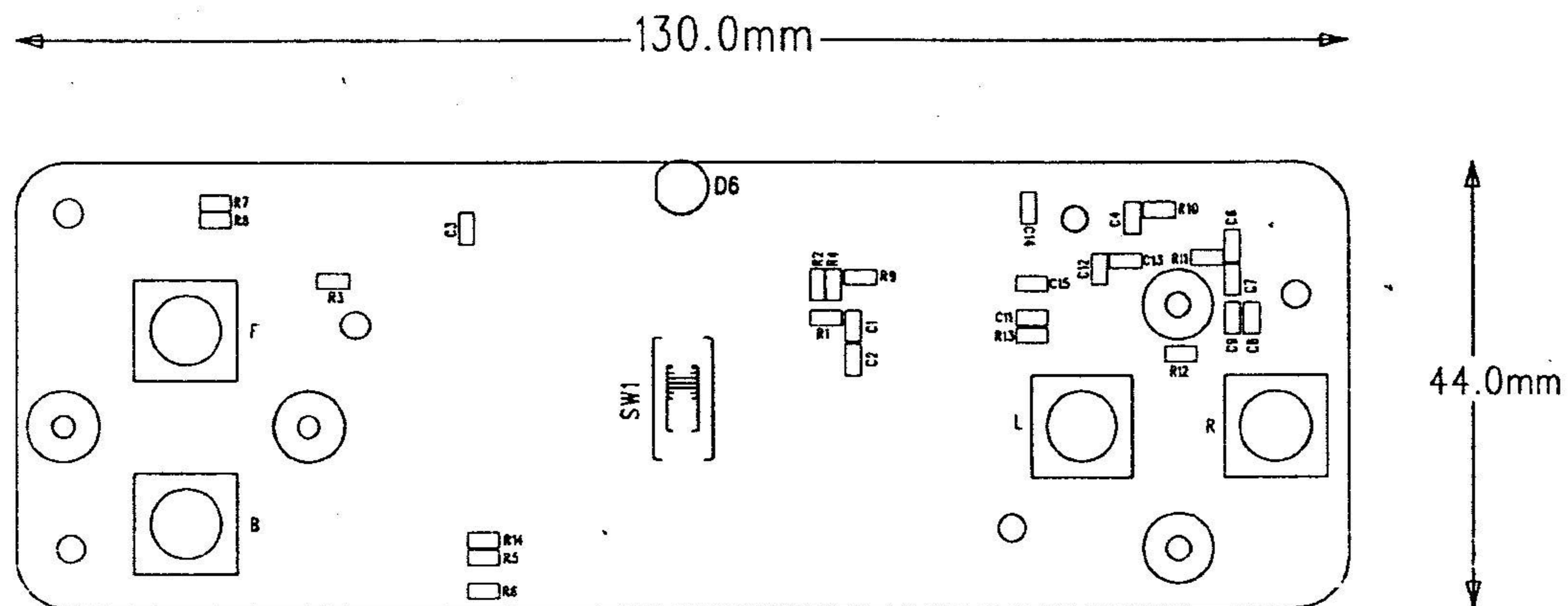


TX PRINTED CIRCUIT BOARD

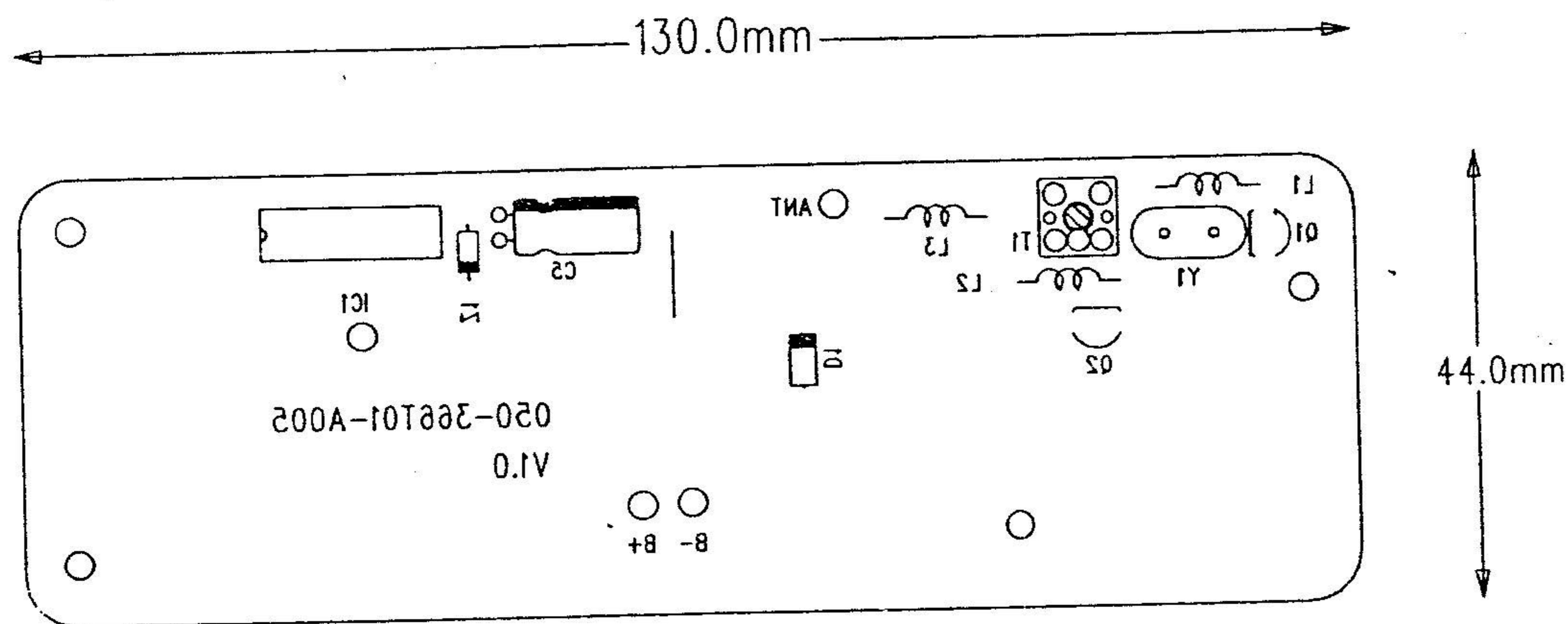
050-366TX01-A003



TX PRINTED CIRCUIT BOARD

DO NOT SCALE DRAWING	TITLE PRINTED CIRCUIT BOARD	VER	01
UNLESS OTHERWISE SPECIFIC DEC xxPD.1 ANGLE xxPIxxD	MATERIAL 1.6MM 94HB	FINISH	SCALE 1:1
GENERAL DRAFT	MODEL RC JET CAR	ITEM NO 0232	PART NO. 050-366T01-A003
UNLESS OTHERWISE SPECIFIC WALL THICKNESS	DRAWN: LITTLE	CHECKED: DATE:	APPROVED: DATE:
Dynamic industries co. ltd.			

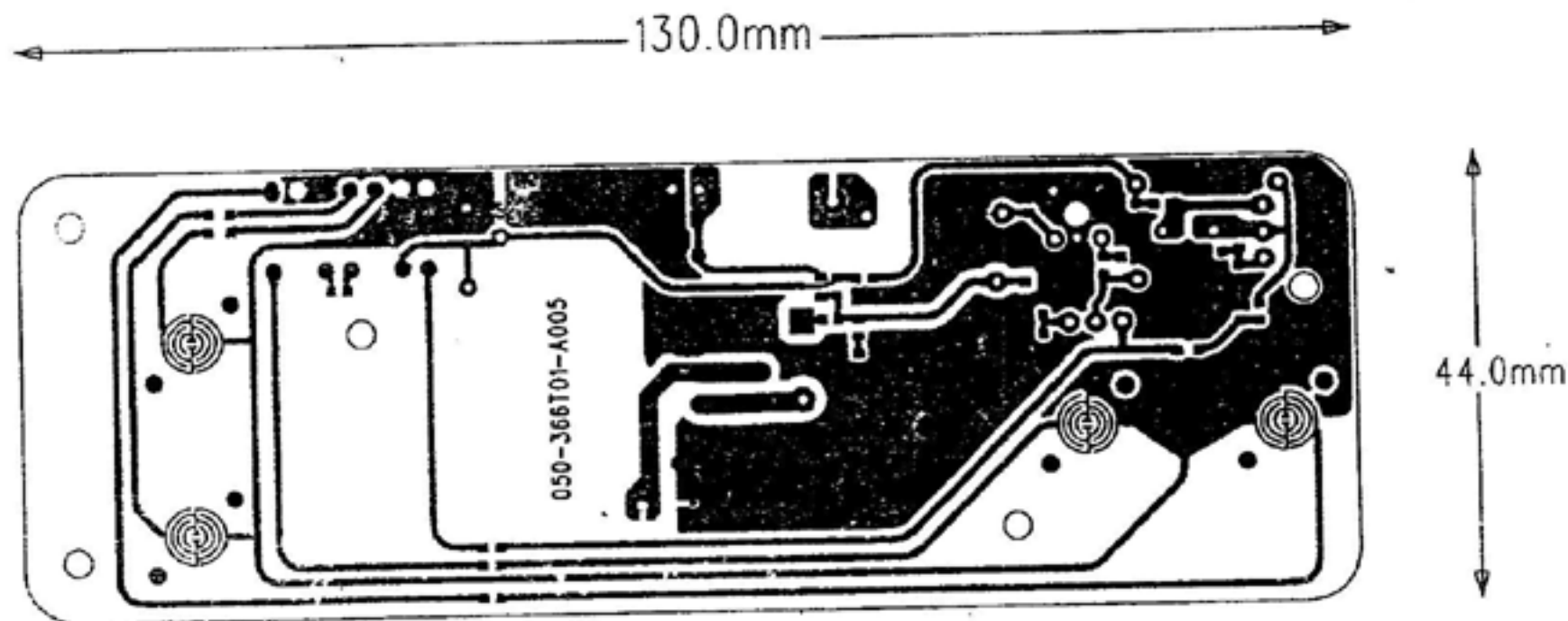
TX PRINTED CIRCUIT BOARD
050-366TX01-A003



TX PRINTED CIRCUIT BOARD

DO NOT SCALE DRAWING	TITLE PRINTED CIRCUIT BOARD	VER 01	SCALE 1:1
UNLESS OTHERWISE SPECIFIC DEC XXPO.1 ANGLE XXPIXxD	MATERIAL 1.6MM 94HB	FINISH	SCALE 1:1
GENERAL DRAFT	MODEL RC JET CAR	ITEM NO 0232	PART NO. 050-366T01-A003
UNLESS OTHERWISE SPECIFIC WALL THICKNESS	DRAWN: LITTLE	CHECKED: DATE:	APPROVED: DATE: SIZE A4
Dynamic industries co. ltd.			

TX PRINTED CIRCUIT BOARD
050-366TX01-A003

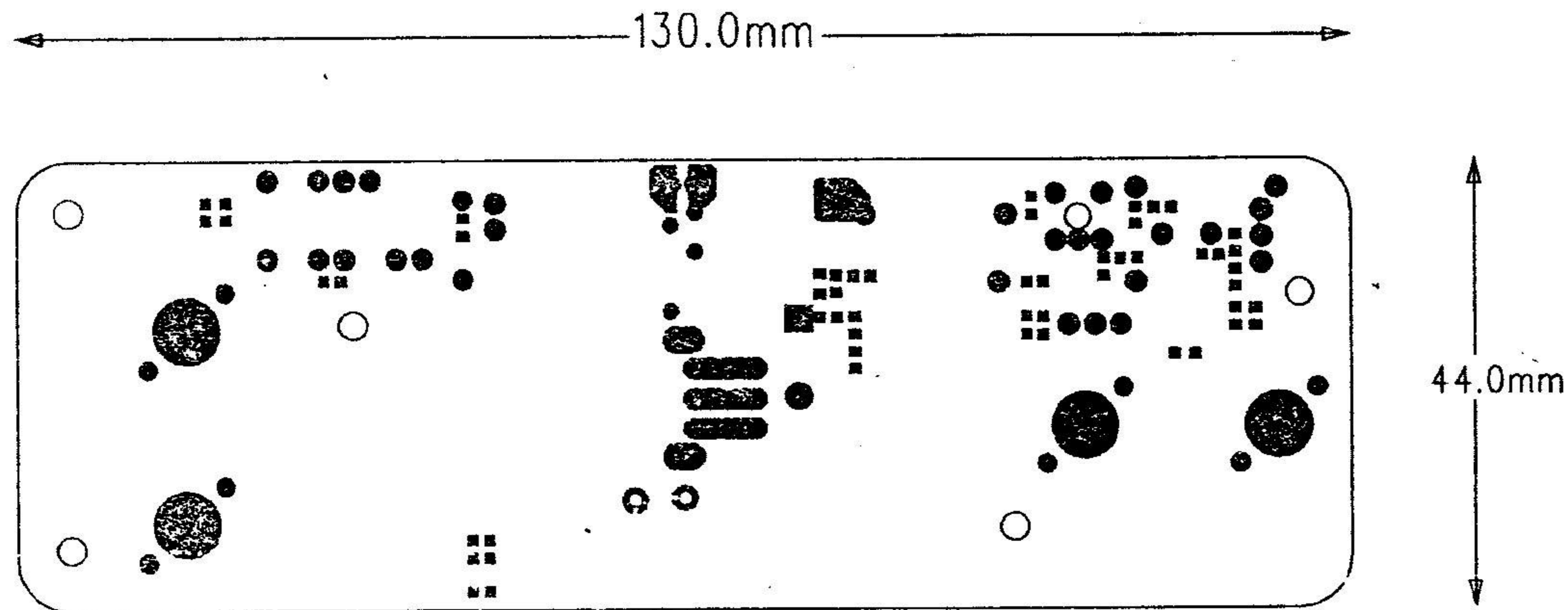


TX PRINTED CIRCUIT BOARD

DO NOT SCALE DRAWING	TITLE	PRINTED CIRCUIT BOARD	VER	01
UNLESS OTHERWISE SPECIFIC REQ. ANGLE X&PIAX&	MATERIAL	1.6MM 94HB	FINISH	SCALE 1:1
GENERAL DRAFT	MODEL	RC JET CAR	ITEM NO	0232
			PART NO.	050-366T01-A003
UNLESS OTHERWISE SPECIFIC MATERIAL THICKNESS	DRAWN, LITTLE DATE:	CHECKED DATE:	APPROVED DATE:	SHEET 2/2
Dynamic industries co. ltd.				

TX PRINTED CIRCUIT BOARD

050-366TX01-A003



TX PRINTED CIRCUIT BOARD

DO NOT SCALE DRAWING	TITLE	PRINTED CIRCUIT BOARD	VER	01
UNLESS OTHERWISE SPECIFIC DEC x x P0.1 ANGLE x x P1 x x D	MATERIAL	1.6MM 94HB	FINISH	SCALE 1:1
GENERAL DRAFT	MODEL	RC JET CAR	ITEM NO	0232
			PART NO.	050-366T01-A003
UNLESS OTHERWISE SPECIFIC WALL THICKNESS	DRAWN: LITTLE DATE:	CHECKED: DATE:	APPROVED: DATE:	SIZE A4
Dynamic industries co. ltd.				