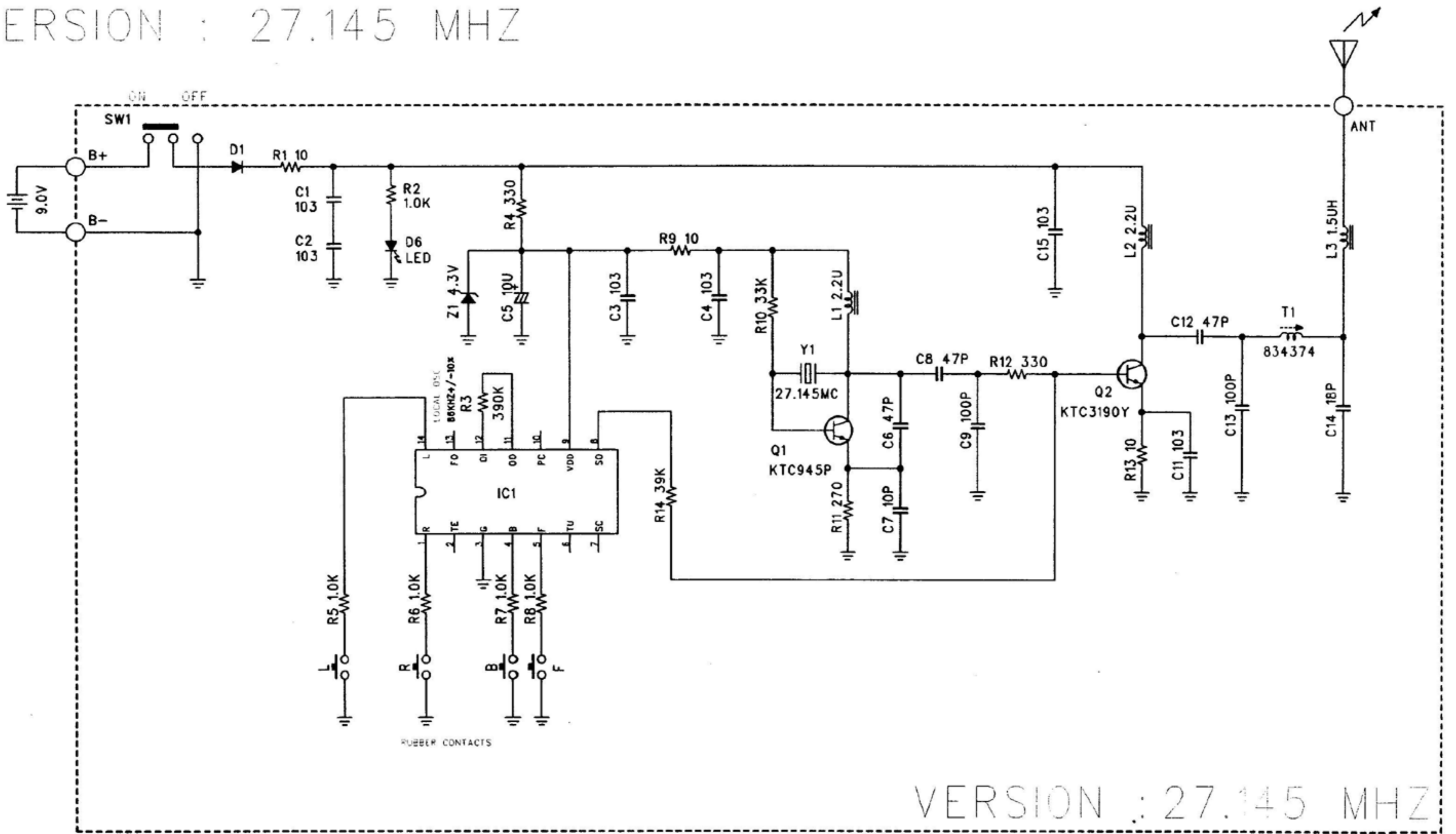


VERSION : 27.145 MHZ



DRAWN: TAM	DATE: 26/1/2004	SCHMATIC DIAGRAM	SCH NO. TXA
CHECKED: YKY	DATE: 26/1/2004	MODEL CODE / NAME RC JET CAR TX	ITEM NO 0232
APPROVED: BILLY	DATE: 25/2/2004	PART NO 412-366TX27-0001	V1.0

DYNAMIC INDUSTRIES CO. LTD