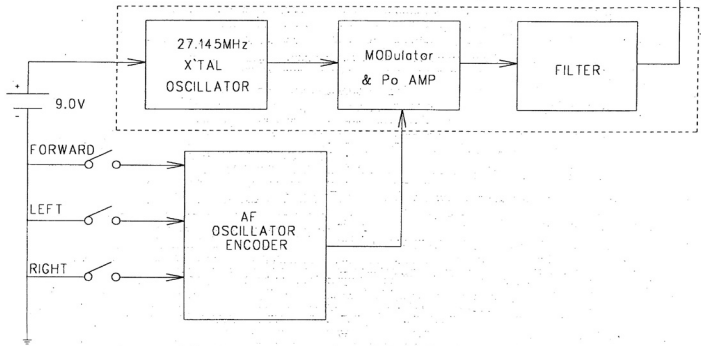


4500*^T FCC
27.145MHz

BLOCK DIAGRAM

ANTENNA



Circuit Description

The circuit is a 27MHz crystal control transmitter for key R/C car. Q1 is a Modulator & Po AMP. Q2 & Y1 is a RF oscillator; U1 is a AF oscillator and Encoder. C1, C2 and T1 is a harmonic filter.