

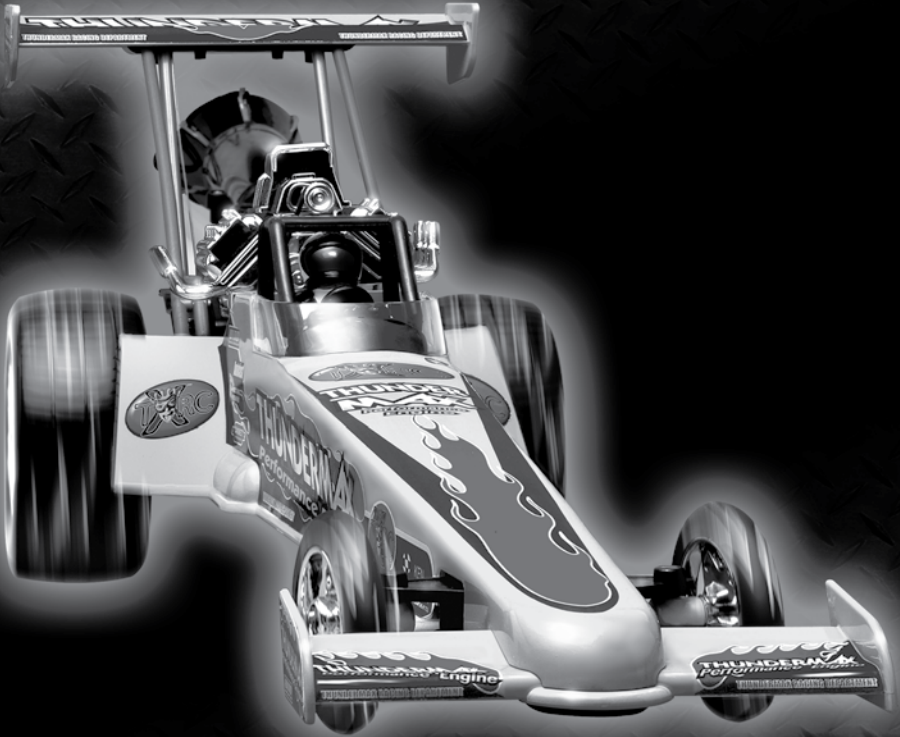


Item No. 0216

6+

REMOTE CONTROL

# DRAGSTER



Quick start guide

# Contents

## Thank you for purchasing Dragster from WowWee™!

Race the WowWee™ remote control Dragster to super fast speeds topping 8.5mph (13.7 km/h). It even has a real drag parachute for braking and a vibrating engine — like a real dragster!

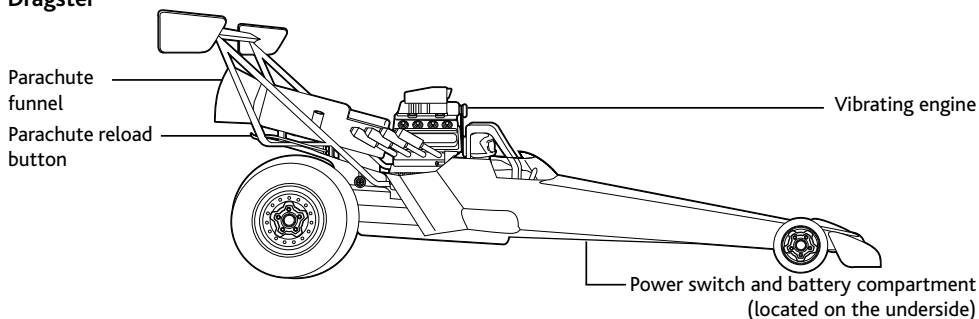
Take a few moments to look through this quick start guide to get Dragster running.

### Package contents

1 x Dragster, 1 x Remote controller, 1 x Antenna, 1 x Quick start guide

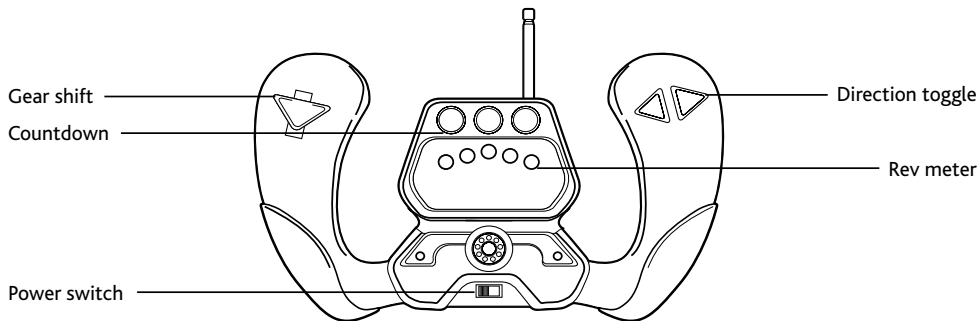
### Quick overview

#### Dragster

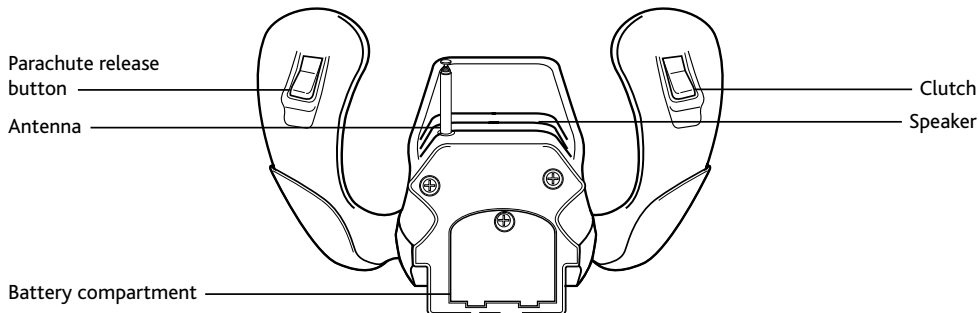


#### Remote controller

##### Front of remote controller



##### Back of remote controller



## Battery details

Before you use Dragster for the first time, or if you have depleted the batteries you will need to insert fresh batteries. If Dragster slows down or is less responsive try changing the batteries; if it does not respond to commands but moves quickly, try changing the batteries in the remote controller.

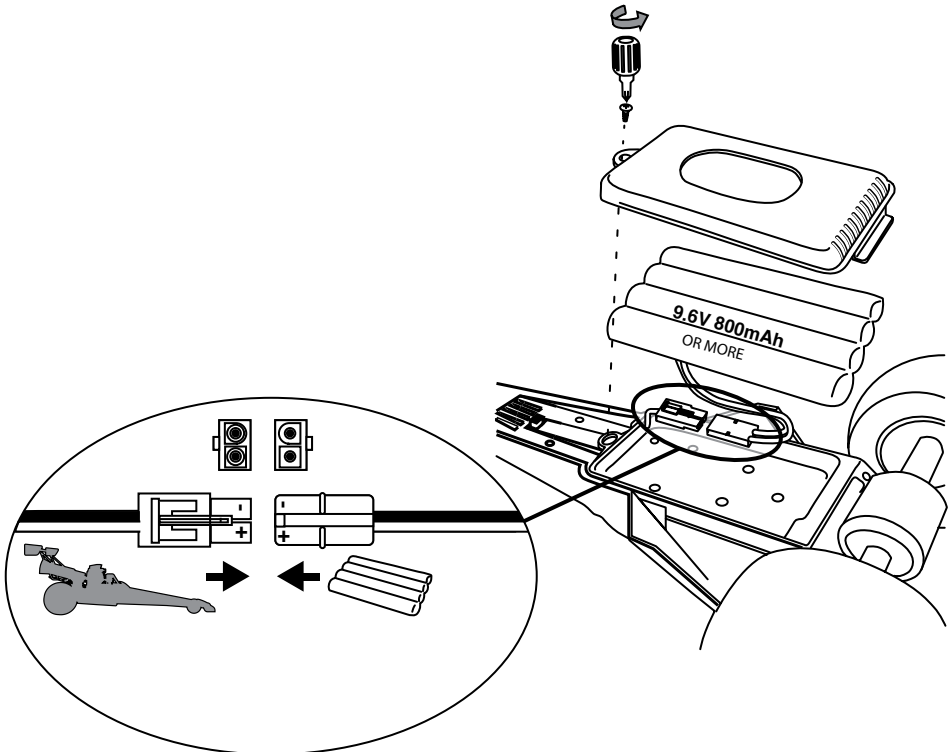
## Battery requirements

Dragster requires 1 x "9.6V" size battery pack and the remote controller requires 1 x "9V" size battery. (The batteries are not included).

**NOTE:** Make sure the main power switch is set to OFF before changing the batteries.

To install the batteries in Dragster, do the following:

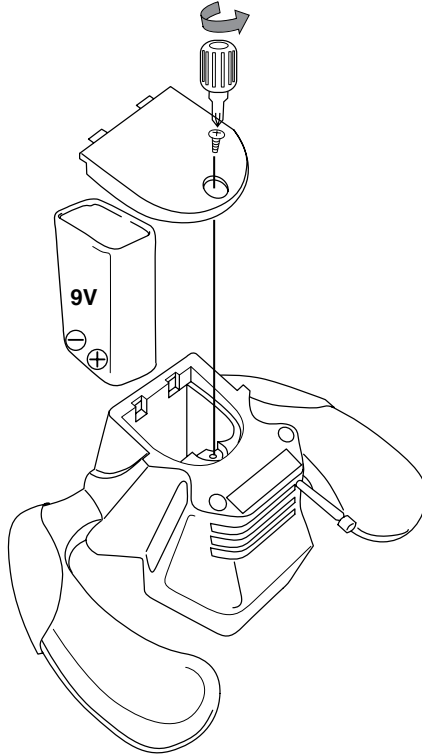
1. Locate the battery compartment door. Using a Phillips screwdriver (not included) remove the screw on the battery compartment door.
2. Insert the battery according to the diagram. Ensure that the orientation of the sockets are correct.
3. Replace the battery compartment door and replace the screw using the screwdriver. Do not over-tighten.



# Battery details

To install the battery in the remote controller, do the following:

1. Locate and open the battery compartment door on the remote controller. Using a Phillips screwdriver (not included) remove the screw on the battery compartment door.
2. Insert the battery according to the diagram. Ensure that the positive and negative polarities match the illustrations inside the battery compartment.
3. Replace the battery compartment door and replace the screw using the screwdriver. Do not over-tighten.



## Important battery information

- Use only fresh batteries of the required size and recommended type
- Do not mix old and new batteries, different types of batteries [standard (Carbon-zinc), Alkaline or rechargeable] or rechargeable batteries of different capacities
- Remove rechargeable batteries from the toy before recharging them
- Rechargeable batteries are only to be charged under adult supervision
- Respect the correct polarity, (+) and (-)
- Do not try to recharge non-rechargeable batteries
- Do not dispose batteries in a fire
- Replace all batteries of the same type/brand at the same time
- The supply terminals are not to be short-circuited
- Remove exhausted batteries from the toy
- Batteries should be replaced by adults
- Remove batteries if the toy is not going to be played with for some time

## Playing with Dragster

Now you have power, you are ready to play with Dragster!

First, attach the antenna to the remote controller by turning it clockwise and turn the remote controller on. Then, turn on Dragster using the power switch located on its underside. Dragster will vibrate — ready for action!

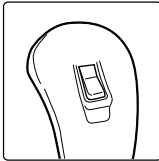
### Countdown

Before you can drive Dragster you have to wait for the countdown!

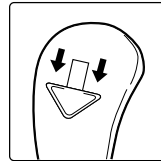
1. The red light on the remote controller will flash to indicate that the countdown has begun.
2. During countdown the lights change from red, to amber and finally flash green. A loud horn will also sound.

**NOTE:** Dragster can't move until the countdown has finished but you can rev the engine during countdown by pushing the **Gear shift** button.

3. When the horn sounds press the **Clutch** button (back, left side) and push the **Gear shift** button (front left side) downward to move into first gear, as illustrated.



**Clutch button**  
(back, left side)

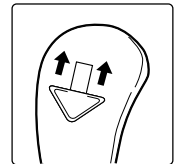


**Gear shift button**  
(front, left side)

4. To change gear continue pressing down on the **Clutch** button and then press the **Gear shift** button twice simultaneously to change into second gear and three times to change into third gear.

### Driving control

To maneuver left and right, press on the **Direction** toggle. To drive in reverse, press the **Gear shift** button upward as illustrated.



To stop Dragster, first release the clutch and then press the **Parachute release** button to open the parachute. Dragster will then come to a complete stop.

To reload the parachute, press the **Parachute reload** button and pack the parachute into its funnel.

THE ANTENNA PROVIDED IS A UNIQUE ANTENNA AND SHOULD ONLY BE USED WITH THE TRANSMITTER INTENDED FOR ITS USE. UNAUTHORIZED INSTALLATION OF ANOTHER ANTENNA WILL VOID THE USER'S PERMISSION TO OPERATE THE EQUIPMENT. THE MANUFACTURER IS NOT RESPONSIBLE FOR ANY RADIO OR TV INTERFERENCE CAUSED BY UNAUTHORIZED MODIFICATIONS TO THIS EQUIPMENT. SUCH MODIFICATIONS COULD VOID THE USER'S AUTHORITY TO OPERATE THE EQUIPMENT.

# Safety and warnings

## Safety and warnings

Take note of the following when playing with Dragster:

- Do not immerse Dragster or any of its parts water or any other form of liquid.
- Do not drop, throw, or kick Dragster as this might damage the mechanical functions.
- If Dragster becomes dirty, you can clean the surface using a clean cloth slightly dampened with warm water.

This device complies with Part 15 of the FCC Rules. Operation is subject to the following two conditions:

- (1) This device may not cause harmful interference, and
- (2) This device must accept any interference received, including interference that may cause undesired operation.

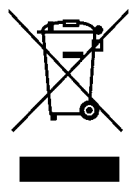
### NOTE

This equipment has been tested and found to comply with the limits for a class B digital device, pursuant to part 15 of the FCC rules. These limits are designed to provide reasonable protection against harmful interference in a residential installation. This equipment generates, uses and can radiate radio frequency energy and, if not installed and used in accordance with the instructions, may cause harmful interference to radio communications.

- However, there is no guarantee that interference will not occur in a particular installation. If this equipment does cause harmful interference to radio or television reception, which can be determined by turning the equipment off and on, the user is encouraged to try and correct the interference by one or more of the following measures:
- Reorient or relocate the receiving antenna
- Increase the separation between the equipment and receiver
- Connect the equipment into an outlet on a circuit different from that to which the receiver is connected
- Consult the dealer or experienced radio/TV technician for help

**WARNING:** Changes or modifications to this unit not expressly approved by the party responsible for compliance could void the user's authority to operate the equipment.

- The carrier frequency of the 27 MHz Version is 27.145 MHz and its RF output power is less than 30 mW.
- The carrier frequency of the 49 MHz Version is 49.860 MHz and its RF output power is less than 30 mW.



The equipment that you have purchased has required the extraction and use of natural resources for its manufacturing. It may contain substances that are hazardous to health and the environment. In order to prevent the release of these substances into the environment and to reduce the pressure on natural resources, we encourage you to use appropriate return systems. These systems will ensure that most of the materials in your equipment are properly reused or recycled at the end of its operational life. The crossed-bin symbol invites to use these systems. For further information on collection, reuse and recycling systems, please contact your regional waste management administration.

This symbol is only valid in the European Union. If you wish to discard this product, please contact your local authorities or dealer and ask for the correct method of disposal.

This Category II radiocommunication device complies with Industry Canada Standard RSS-310.

Ce dispositif de radiocommunication de catégorie II respecte la norme CNR-310 d'Industrie Canada.

## WowWee 90-Day Limited Warranty

WowWee's warranty obligations for this Dragster (this "Product") are limited to the terms set forth below.

WowWee Group Limited ("WowWee") warrants to the original end-user purchaser that this Product will be free from defects in materials and workmanship under normal use for a period of 90 days from the date of retail purchase (the "Warranty Period"). This warranty is extended only to the original end-user purchaser of a new product that was not sold "as is".

If a defect arises:

(1) you may within 30 days from the date of retail purchase (or such other period specified by the return policies of the place of purchase) return this Product to the place of purchase, together with the original proof of purchase and either the original box or the UPC code label from the box, and this Product will be replaced or, in the event that a replacement for this Product is not available at the place of purchase, either a refund of the purchase price for this Product or a store credit of equivalent retail value will be provided; or

(2) you may after the day that is 30 days from the date of retail purchase (or such other period specified by the return policies of the place of purchase) and within the Warranty Period contact WowWee Customer Support to arrange for the replacement of this Product. In the event that a replacement for this Product is not available this Product will be replaced by WowWee with a product of equivalent or greater retail value.

A purchase receipt or other proof of the date of retail purchase is required in order to claim the benefit of this warranty.

If this Product is replaced, the replacement product becomes your property and the replaced Product becomes WowWee's property. If the place of purchase refunds the purchase price of this Product or issues a store credit of equivalent retail value, this Product must be returned to the place of purchase and becomes WowWee's property.

### EXCLUSIONS AND LIMITATIONS

This warranty covers the normal and intended use of this Product. This warranty does not apply: (a) to damage caused by accident, abuse, unreasonable use, improper handling and care or other external causes not arising out of defects in materials or workmanship; (b) to damage caused by service performed by anyone who is not an authorized representative of WowWee; (c) to any hardware, software or other add-on components installed by the end-user; (d) if this Product has been disassembled or modified in any way; (e) to cosmetic damage, including but not limited to scratches, dents or broken plastic, or normal wear and tear.

THIS WARRANTY GIVES YOU SPECIFIC LEGAL RIGHTS AND YOU MIGHT ALSO HAVE OTHER RIGHTS THAT VARY FROM STATE TO STATE. WOWWEE'S RESPONSIBILITY FOR PRODUCT DEFECTS IS LIMITED TO THE REPLACEMENT OF THIS PRODUCT OR THE REFUND OF THE PURCHASE PRICE FOR THIS PRODUCT. ALL EXPRESS AND IMPLIED WARRANTIES, INCLUDING BUT NOT LIMITED TO ANY IMPLIED WARRANTIES AND CONDITIONS OF MERCHANTABILITY AND FITNESS FOR A PARTICULAR PURPOSE, ARE LIMITED IN TIME TO THE TERM OF THIS LIMITED WARRANTY. NO WARRANTIES, WHETHER EXPRESS OR IMPLIED, WILL APPLY AFTER THE EXPIRATION OF THE LIMITED WARRANTY PERIOD. If any term of this warranty is held to be illegal or unenforceable, the legality or enforceability of the remaining terms shall not be affected or impaired.

EXCEPT AS PROVIDED IN THIS WARRANTY AND TO THE EXTENT PERMITTED BY LAW, WOWWEE IS NOT RESPONSIBLE FOR DIRECT, SPECIAL, INCIDENTAL OR CONSEQUENTIAL DAMAGES HOWSOEVER CAUSED RESULTING FROM BREACH OF WARRANTY OR CONDITION OR UNDER ANY OTHER LEGAL THEORY, INCLUDING BUT NOT LIMITED TO LOSS OF USE. THE FOREGOING LIMITATION SHALL NOT APPLY TO DEATH OR PERSONAL INJURY CLAIMS, OR ANY STATUTORY LIABILITY FOR INTENTIONAL AND GROSS NEGLIGENT ACTS AND/OR OMISSIONS.

SOME STATES DO NOT ALLOW THE EXCLUSION OR LIMITATION OF INCIDENTAL OR CONSEQUENTIAL DAMAGES, OR LIMITATIONS ON HOW LONG AN IMPLIED WARRANTY LASTS, SO THESE LIMITATIONS MIGHT NOT APPLY TO YOU.

Valid only in U.S.A.

To learn more about Dragster or see the full range of WowWee products, go to [www.wowwee.com](http://www.wowwee.com).

Register at [www.wowwee.com/register](http://www.wowwee.com/register).

If you have any questions that are not answered in this quick start guide, refer to [www.wowwee.com/support](http://www.wowwee.com/support).



**WowWee**®

WOWWEE GROUP LIMITED,  
ENERGY PLAZA, 3/F  
92 GRANVILLE ROAD  
T.S.T. EAST, HONG KONG

WOWWEE CANADA INC.  
3500 DE MAISONNEUVE WEST  
SUITE 800  
MONTREAL, QC H3Z 3C1 CANADA

Dragster quick start guide © 2001 & 2009 WowWee Group Limited.  
All rights reserved. Tous droits réservés. Derechos reservados.

Manufactured and distributed by © 2001 & 2009 WowWee Group Limited. Product names, designations, and logos are trademarks or registered trademarks of WowWee Group Limited. All rights reserved.

Consumer hotline: 1-800-310-3033

Customer service: [www.wowwees.com/support](http://www.wowwees.com/support)

Customer support is only available in English and French.

We recommend that you retain our address for future reference. Product and colors may vary. Packaging printed in China. This product is not suitable for children under 3 years because of small parts — choking hazard.

The quick start guide should be kept as it contains important information.

Made in China.

**0216US01FLA**