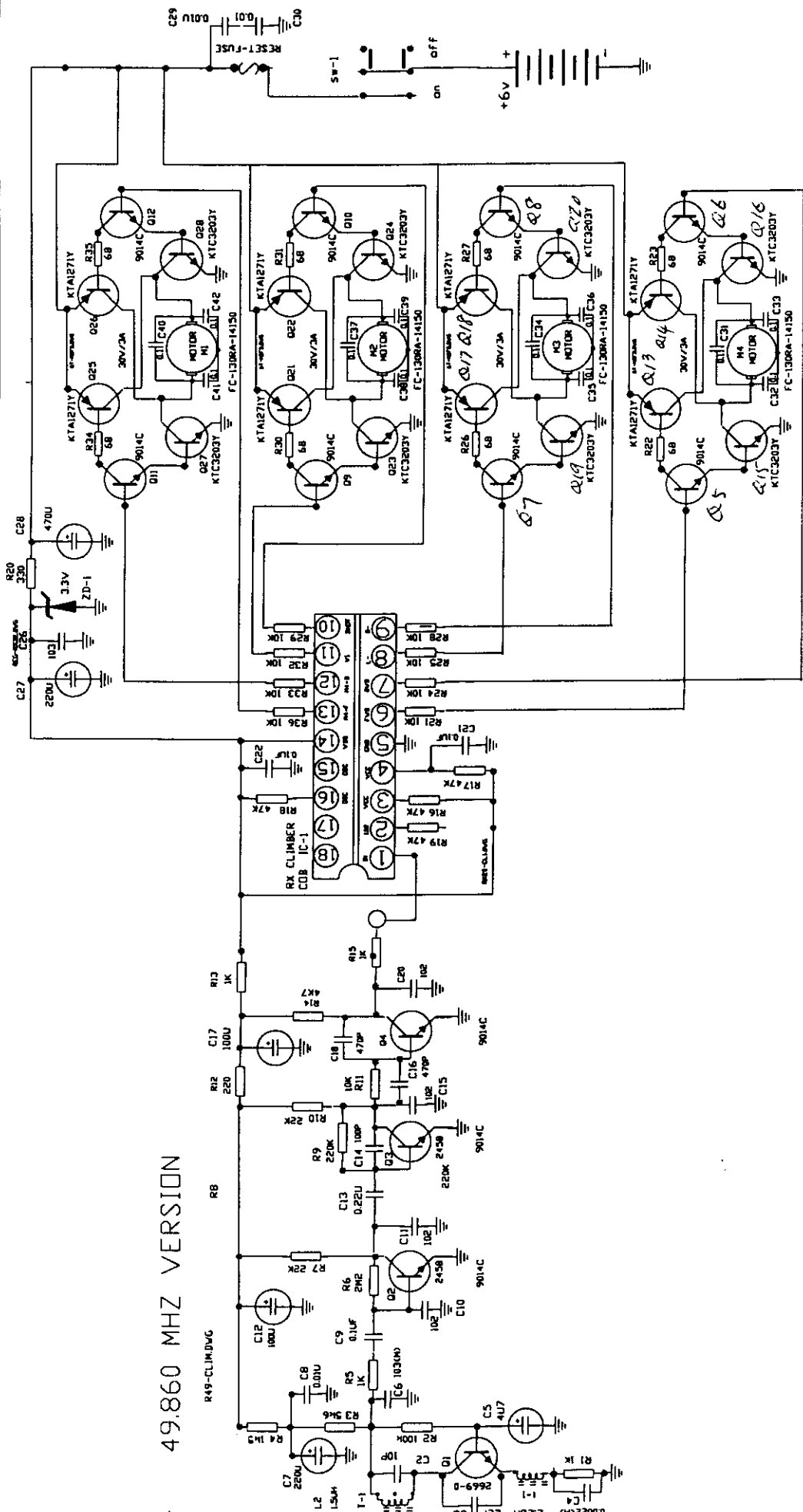


ISSUE	CHANGE DETAIL	DATE	CHECKED	APP.



DO NOT SCALE DRAWING	TITLE	SCHEMATIC DIAGRAM	Q'TY	UNIT
UNLESS OTHERWISE SPECIFIC DEC ±0.1 ANGLE ±1°	MATERIAL	49MHZ		SCALE
GENERAL DRAFT	MODEL	RX VERSION		FINISH
UNLESS OTHERWISE SPECIFIC WALL THICKNESS	RC ROCK CLIMBER	2S-DI		PART NO.
	DRAWN	CHECKED	APPROVED	SC-CL-0274-49
	BLEE 12TH FEB 2001			SIZE
				A4

Dynamic industries co. ltd.