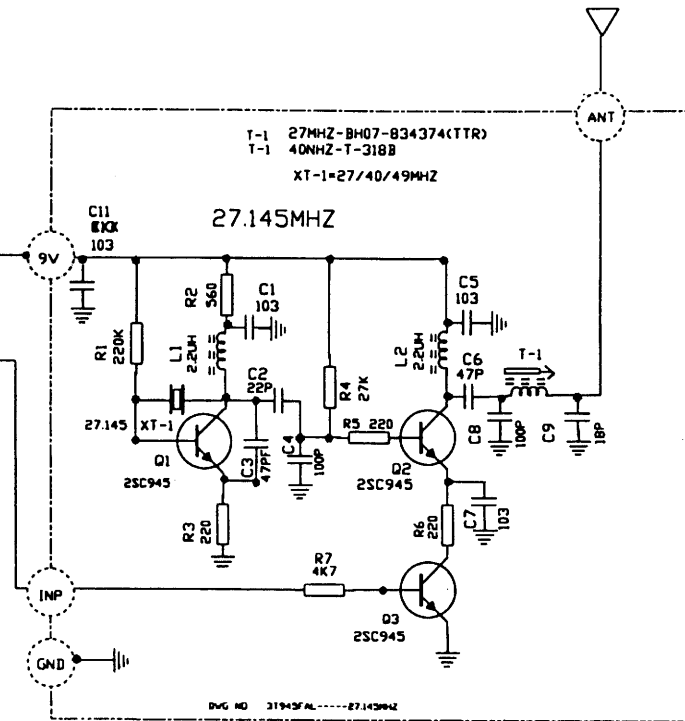
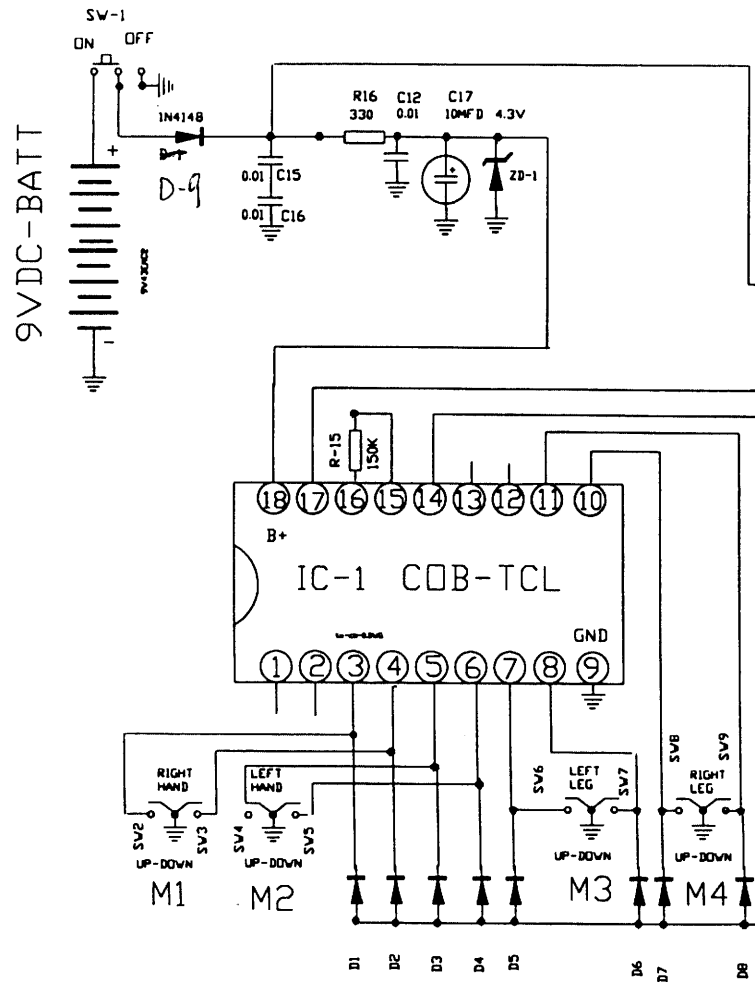


ISSUE	CHANGE DETAIL	DATE	CHECKED	APP.
A				



DO NOT SCALE DRAWING	TITLE			
UNLESS OTHERWISE SPECIFIC DEC ±0.1 ANGLE ±1°	SCHEMATIC DIAGRAM			
GENERAL DRAFT	MATERIAL	FINISH	SCALE	
UNLESS OTHERWISE SPECIFIC WALL THICKNESS	TX SECTION			
	MODEL	PART NO.		
	ROCK CLIMBER 27.145MHZ	SC-RC-0273-08		
	DRAWN	CHECKED	APPROVED	SIZE
	B.LEE 12TH FEB 2001			A4

Dynamic industries co. ltd.